

Product Model:

These installation instructions apply to Trinity Chain Light Installation ELS4* series, where “*” contains information about different wattages, control systems, light angles, color temperatures, and exterior colors of the fixtures.

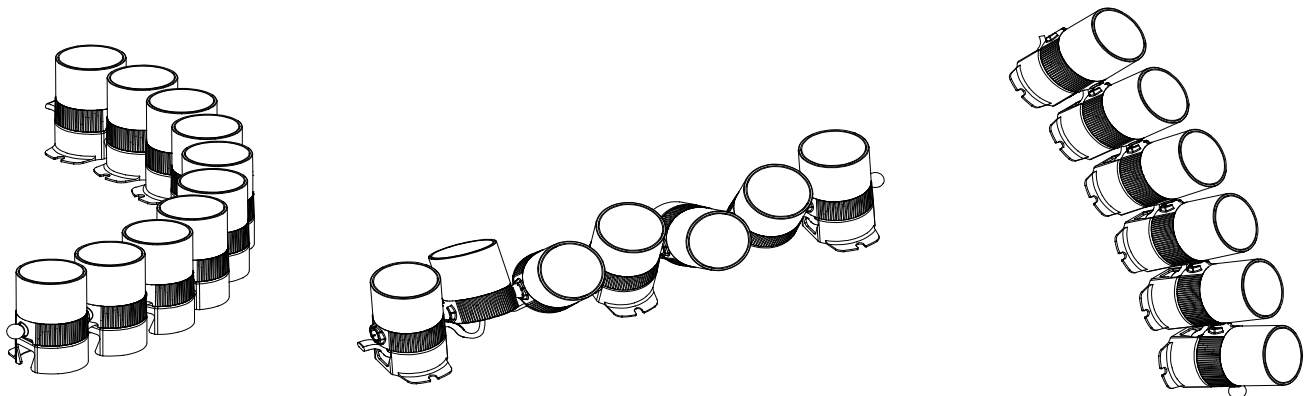
Installation Precaution:

1. Please read the instructions carefully before installation.
2. Please ask a professional electrician to install it.
3. To avoid the risk of electric shock, please make sure the power is off before installation and maintenance.
4. Before installing the lamps, please make sure the mounting surface is firm and reliable to avoid the lamps falling.
5. The fixture can only be installed on the bottom surface. For top mounting, please contact sales.
6. Please keep the manual for reference.

Product Features:

Multi-dimensional adjustment of the projection direction, applicable to complex application scenarios. For example: proximity application scenarios, arc application scenarios, fixed-angle projection application scenarios and so on.

Note: Figure 1 is for reference only, the customer according to the actual application of the scene to adjust accordingly (the scene needs to be supporting the corresponding installation accessories refer to Figure 2).



Reference Projection Direction Type I

Reference Projection Direction Type II

Reference Projection Direction Type III

Figure 1

The projection direction style as above is for reference only, and does not represent the actual use of the scene projection direction. Customers may adjust flexibly according to the actual scene.

A wide range of mounting bracket accessories:

Trinity Chain Light is a professional LED flexible linear light designed for high-end outdoor lighting. It can be used for multi-directional angle adjustable to meet different applications. A wide range of accessories are available, which can be suitable for diversified installation requirements and lighting application solutions.

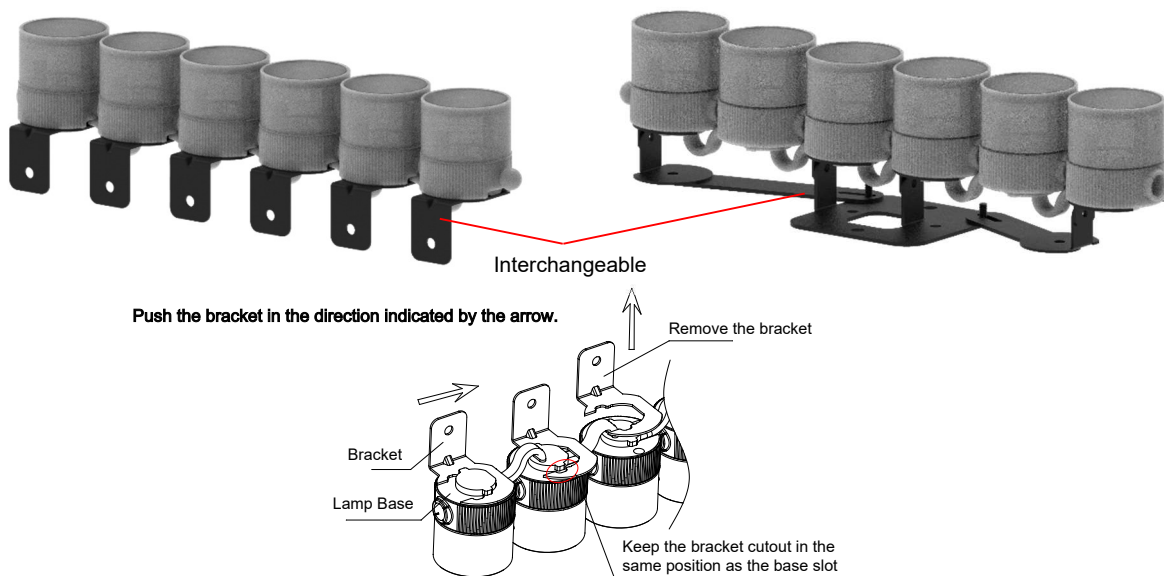
Customers can choose different mounting bracket accessories according to the actual use of the scene (such as: fixed bracket, wall mounting, angle bracket, etc.), in addition to the fixed bracket is standard, other mounting bracket accessories need to be purchased separately.



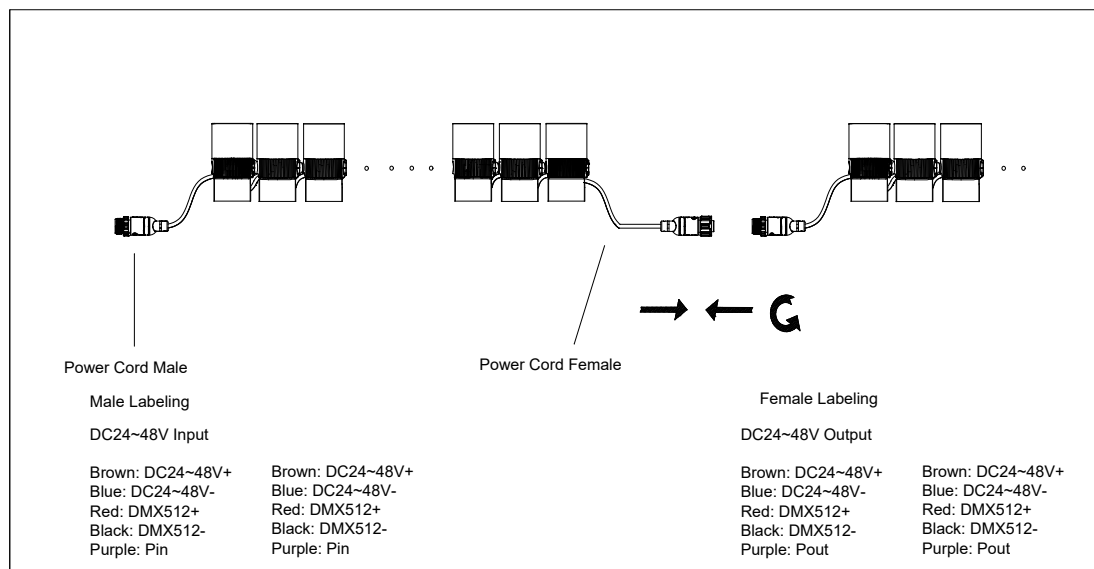
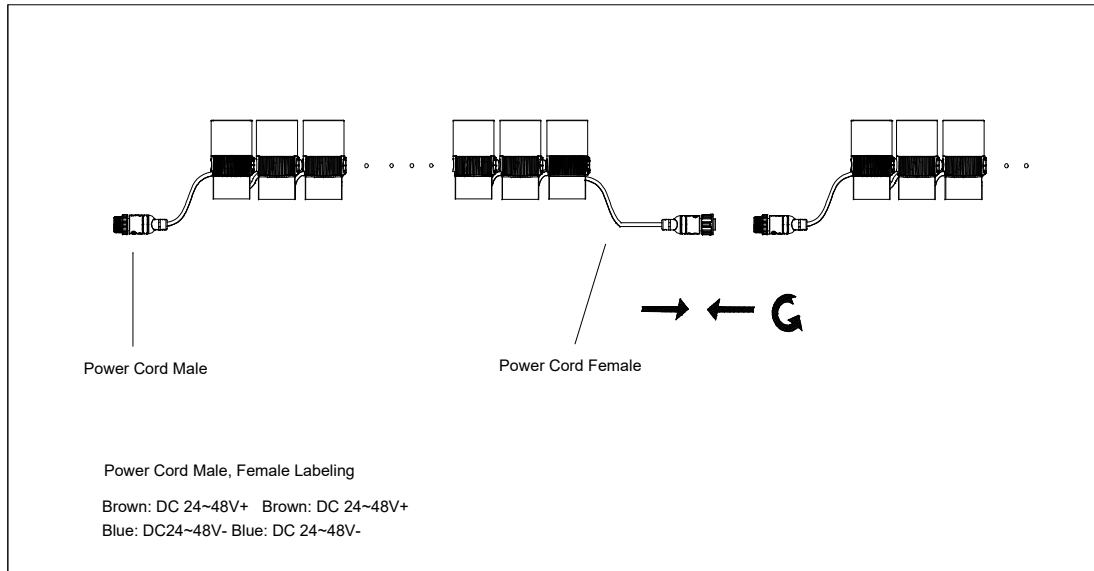
Figure II

Trinity Chain Light mounting bracket accessories are interchangeable, according to the actual use of interchangeable mounting bracket accessories.

Note: Do not forcibly disassemble the accessories when interchanging, which may cause damage to the lamp base. E.g. wall mounts are interchangeable with angle brackets (angle brackets require 6 units in a group).



Bracket Removal Method Reference: The power cord of the fixture has the direction distinction between input and output, please follow the instructions on the label on the cord.

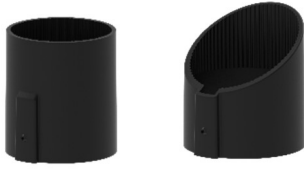


Remarks: IP65 or above rated waterproof junction box should be used for wire connection. The waterproof connector of the junction box must be matched with the fixture lead wires. It is recommended that the total length of the fixtures connected to each power circuit should not exceed 2 meters, and each DMX signal amplifier should carry no more than 48 fixtures.

The list of fixture mounting accessories is listed below:

Class I accessories include straight and beveled hoods, while Class II optical accessories include striped lens, soft lens and honeycomb.

Class I Hood Accessories



SNOOT

VISOR

Class II Optical Accessory (to be used with Class I Hood Accessory)



HONEYCOMB

STRIPED LENS

SMOOTH LENS

Trinity Optical Accessory Type Descriptions and Mounting Instructions

The Class II Optical Accessory is placed directly from the bottom onto the corresponding position of the Class I Hood Accessory. The number of Class II Optical Fittings to be installed is 1. The screws attached to the Class I Optic must be tightened after installation to ensure that the optic is securely fitted to the lamp body.

