

# LEDME II - MODEL: ASLIR6FLD

# WAC LIGHTING

## Recessed Showcase Lighting

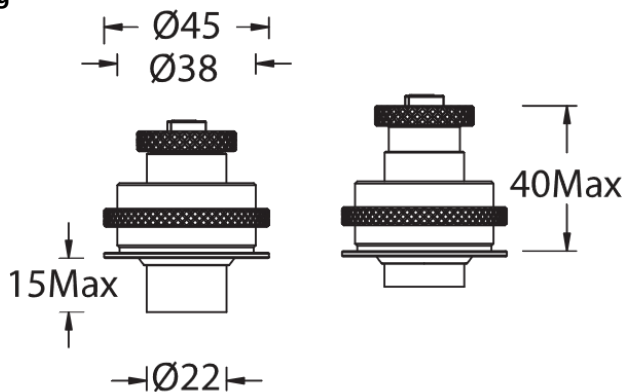
Project Name:

Type:

### Product Image



### Line Drawing



### Product Description

LEDme II series showcase lights are designed with simple and compact appearance, utilizing WAC's leading SUBROSA anti-glare technology and precise focusable light distribution design, which makes it easy to adjust the light spot according to the characteristics of the exhibits. According to different display cabinets or application scenarios, the creative use of patented structural design can simultaneously support the focusing operation from the front or from the back (one light for two purposes) to meet the needs of different exhibitions, suitable for museum display cabinets and high-end art exhibitions.

### Product Features

- **Body Material:** Aluminum lamp body
- **Optical System:** Zoomable Lens + SUBROSA® Invisible Light System
- **Finish:** Liquid Baked Paint
- **Projection Angle:** Horizontal adjustment in any direction; vertical -30~30° adjustment.
- **Accessory/Bracket:** Optional Extension Cord
- **Certification:** CQC
- **IP Rating:** IP20
- **Insulation Class:** Class III
- **Operating Temperature:** -20°C~40°C

### Product Specifications

- **Cutout:** Ø39mm
- **Mounting Thickness:** 1~13mm
- **LED Type:** High-Power LED
- **Power:** 2W
- **Source Lm:** 175lm(3000K) / 185lm (4000K)
- **LED Lifetime:** >50000h-L70 / B10-Ta25°C(LM-80/TM-21)
- **CCT/CRI:** 3000K / 4000K , >Ra90 or Ra97(>Ra95) optional
- **SDCM:** 3 SDCM
- **Input:** 700mA max 3V DC(constant current driver)
- **Dimming:** Compatible with WAC-specific MTB power splitter (not included), see specification for details .
- **Net Weight:** Approx. 0.1Kg, excluding packaging.

### Order Model

Model	LED	Drive	Beam	CRI	CCT	Finish
ASLIR6F LEDme II	LD LED 2W	M MTB driver N Single wire	F 6°~40°	9 Ra90	30 3000K	BK Black
				A Ra97	40 4000K	
ASLIR6F	LD	N	F	9	30	BK

Example: ASLIR6FLD-NF930BK

Note: All models do not include electrical appliances, consult WAC for details.

# LEDME II - MODEL: ASLIR6FLD

# WAC LIGHTING

## Recessed Showcase Lighting

Project Name:

Type:

### Accessory

#### MTB-CABLE-1000-BK

ASLIR6FLD-M extension cable for use between MTB power splitter and ASLIR6FLD-M series display cabinet fixtures, 1m total length, with quick connect plugs on both ends.



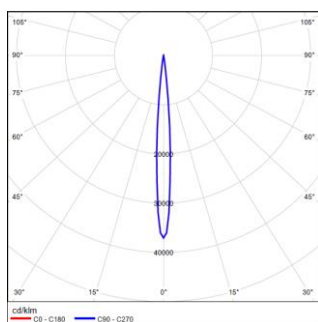
Note: The length of the SLIR6FLD-M original fixture input wire is approximately 0.5 meters. Specialized MTB power splitters and extension cords are ordered separately.

#### 4LD-700MA10D-LF-C

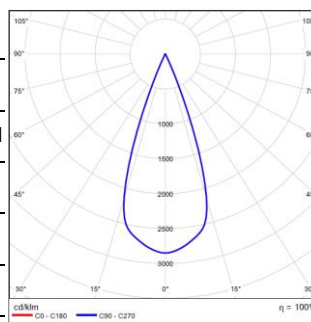
SLIR6FLD-N Specialized Appliance: Input 220V~240V AC / 50Hz, Output 700mA, 2~14V.  
Support 0-10V dimming, can drive 1-4 display case lights (in series).  
Dimension (L\*W\*H): 121\*41\*22, mm.

Note: The length of the ASLIR6FLD-N original fixture input wire is approximately 0.3 meters. ASLIR6FLD-N special electrical appliances have to be ordered separately, without cable.

### Light Distribution @3000K Data



MODEL : ASLIR6FLD Narrow  
BEAM ANGLE : 6°  
POWER : Appliances not included  
LUMENS : 34lm  
CBCP : 1686cd  
EFFICACY : /



MODEL : ASLIR6FLD Wide  
BEAM ANGLE : 40°  
POWER : Appliances not included  
LUMENS : 82lm  
CBCP : 260cd  
EFFICACY : /

# LEDME II - MODEL: ASLIR6FLM

# WAC LIGHTING

## Recessed Showcase Lighting

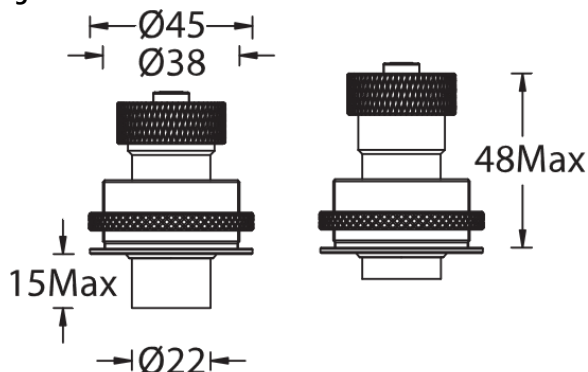
Project Name:

Type:

### Product Image



### Line Drawing



### Product Description

LEDme II series showcase lights are designed with simple and compact appearance, utilizing WAC's leading SUBROSA anti-glare technology and precise focusable light distribution design, which makes it easy to adjust the light spot according to the characteristics of the exhibits. According to different display cabinets or application scenarios, the creative use of patented structural design can simultaneously support the focusing operation from the front or from the back (one light for two purposes) to meet the needs of different exhibitions, suitable for museum display cabinets and high-end art exhibitions.

### Product Features

- **Body Material:** Aluminum lamp body
- **Optical System:** Zoomable Lens + SUBROSA® Invisible Light System
- **Finish:** Liquid Baked Paint
- **Projection Angle:** Horizontal adjustment in any direction; vertical -30~30° adjustment.
- **Accessory/Bracket:** /
- **Certification:** CQC
- **IP Rating:** IP20
- **Insulation Class:** Class III
- **Operating Temperature:** -20°C~40°C

### Product Specifications

- **Cutout:** Ø39mm
- **Mounting Thickness:** 1~13mm
- **LED Type:** High-Power LED
- **Power:** 4.5W
- **Source Lm:** 410lm(3000K) / 440lm (4000K)
- **LED Lifetime:** >50000h-L70 / B10-Ta25°C(LM-80/TM-21)
- **CCT/CRI:** 3000K / 4000K , >Ra90
- **SDCM:** 3 SDCM
- **Input:** 350mA max, 12V DC(constant-current driver)
- **Dimming:** Additional configuration of constant current electrical appliances is required (not included), and the dimming method is determined by the power supply.
- **Net Weight:** Approx. 0.1Kg, excluding packaging.

### Order Model

Model	LED	Drive	Beam	CRI	CCT	Finish
ASLIR6F LEDme II	LM LED 4.5W	N Single wire	F 8°~ 40°	9 Ra90	30 3000K 40 4000K	BK Black
ASLIR6F	LM	N	F	9	30	BK

Example: ASLIR6FLM-NF930BK

Note: All models do not include electrical appliances, consult WAC for details.

# LEDME II - MODEL: ASLIR6FLM

# WAC LIGHTING

## Recessed Showcase Lighting

Project Name:

Type:

### Accessory

A4LD-350MA10D-LF-C

Specialized Appliances: Input 220V~240V AC / 50Hz, Output 350mA, 6-30V.

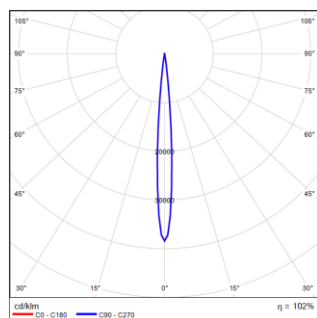
Support 0-10V dimming, can drive 1-2 display case lights (in series)

Size (L\*W\*H): 121\*41\*22, mm

Note: The length of the original fixture input wire is approximately 0.5 meters.

Specialized appliances to be ordered separately, cables not included.

### Light Distribution@3000K Data



MODEL : ASLIR6FLM Narrow

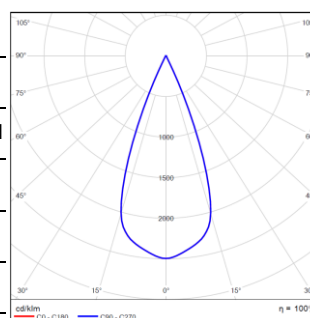
BEAM ANGLE : 8°

POWER : Appliances not included

LUMENS : 60lm

CBCP : 1530cd

EFFICACY : /



MODEL : ASLIR6FLM Wide

BEAM ANGLE : 40°

POWER : Appliances not included

LUMENS : 170lm

CBCP : 468cd

EFFICACY : /