

Installation Statement:

1. Please read the manual carefully before installation and keep it for reference only;
2. To prevent the lamp from being submerged in water for a long time, drainage pipes or drainage devices should be installed at the bottom;
3. To avoid the risk of electric shock, please confirm to turn off the power before installation and maintenance;
4. Please have a professional electrician install it.

Ground installation:

1. First, open holes at the location where the lighting fixtures are to be installed according to the corresponding model of the lighting fixture as shown in Figure 1-①, with a depth of $\geq 110\text{mm}$. The diameter size is shown in Figure 1;

Note: ● It is recommended to place crushed stones, sand, and other materials at the bottom of the hole to prevent water accumulation;

● The lamp has waterproof function, but considering that water accumulation may affect the stability of the wire and wiring, it is recommended to add drainage holes to the installation holes.

2. As shown in Figure 1-3, place the embedded parts (to be purchased separately) into the excavated holes, cover them with PVC mud barriers, and backfill with soil;

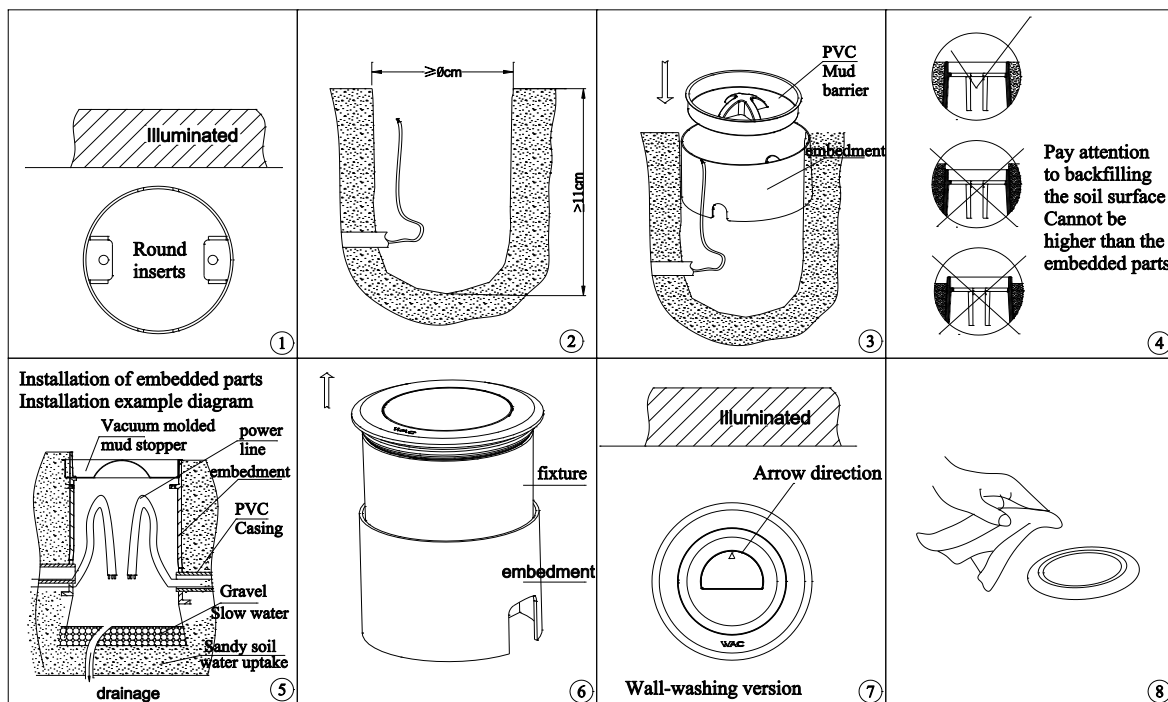
● Note that the embedded parts should be installed flush with the ground: Figure 1-④;

3. According to Figure 1-⑤, the lead wire of the lamp is connected with the power line, and the connection of the wire rod needs to be waterproofed, and the backfill soil surface should not be higher than the embedded parts; DMX512 version: press the dimmer on the "D+", "D-", "Gnd" and dimmer respectively the Signal+, signal-ground connection; **Waterproof treatment is required at the connection of the wire, and it is prohibited to connect to the mains.**

4. Put the lamp into the embedded part as shown in Figure 1-⑥, and adjust the direction of insertion as needed (horizontal 0-360 °adjustable)

Attention: Pay attention to the installation direction of the wall washing version of the lamp, and the arrow is facing the illuminated object (see picture 1-⑦);

5. Clean the surface of the light outlet of the lamp according to Figure 1-⑧.



Authorized by WAC Lighting Corporation, USA, holder of the "WAC" trademark.

China Marketing Headquarters: WAC Lighting Technology (Shanghai) Co.

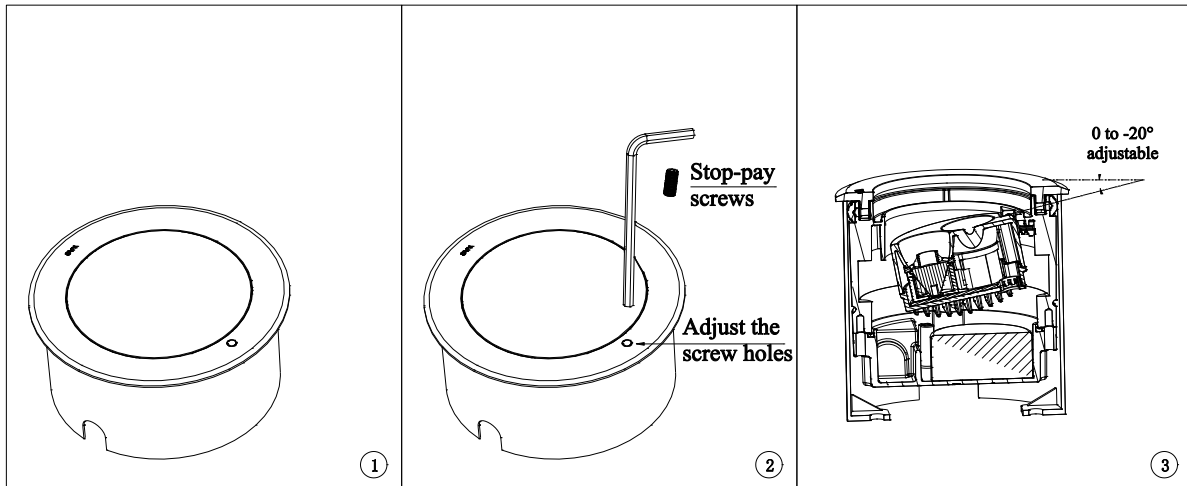
Address: Room 102, No. 14, Lane 299, Bisheng Road, Pilot Free Trade Zone, Shanghai (201204), P.R.C. Manufactured

China Factory: WAC Lighting(Dongguan)Co,Ltd

Address: No. 390, Qingfeng Road, Qingxi Town, Dongguan City, Guangdong Province, 523653, P.R. China

model	cutout ϕ A	Embedment model
AEIR5TF-* ; AEIR6TF-* AEIR5TA-* ; AEIR6TA-* AEIR7TF-* ; AEIR8TF-*	ϕ 108mm	AEIR5TF-RC001

Adjustable version angle adjustment instructions:

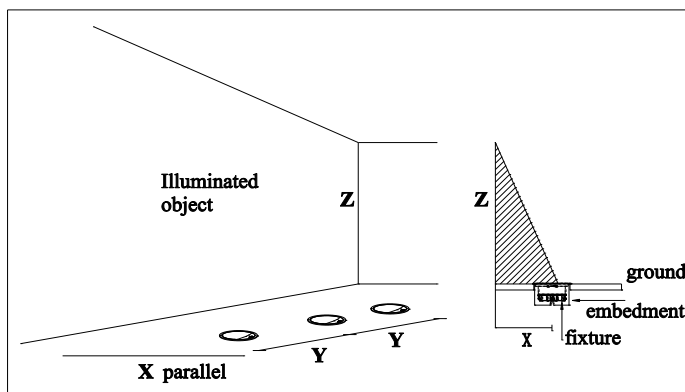


Product Adjustable Angle Release Notes:

1. Use an Allen wrench (2.5mm) to unscrew the stop screw in the adjustment screw hole;
2. Put the hexagon wrench (3mm) into the adjustment hole, turn the wrench, you can adjust the angle (0 to -20 °), and adjust the angle of the light source to the desired angle;
3. After the angle is adjusted, screw the stop screw back and flush the cover.

Schematic diagram of installation distance for wall washing version lighting fixtures:

Common installation parameters



Model	X Max	Y	Z
AEIR7TF*	0.5m	0.4m	2m

Authorized by WAC Lighting Corporation, USA, holder of the "WAC" trademark.

China Marketing Headquarters: WAC Lighting Technology (Shanghai) Co.

Address: Room 102, No. 14, Lane 299, Bisheng Road, Pilot Free Trade Zone, Shanghai (201204), P.R.C. Manufactured

China Factory: WAC Lighting(Dongguan)Co,Ltd

Address: No. 390, Qingfeng Road, Qingxi Town, Dongguan City, Guangdong Province, 523653, P.R. China