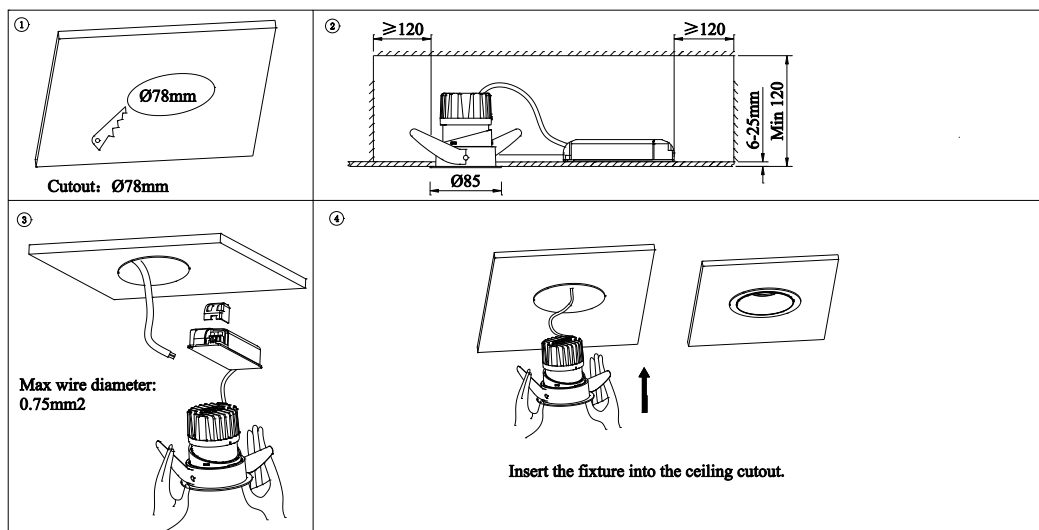


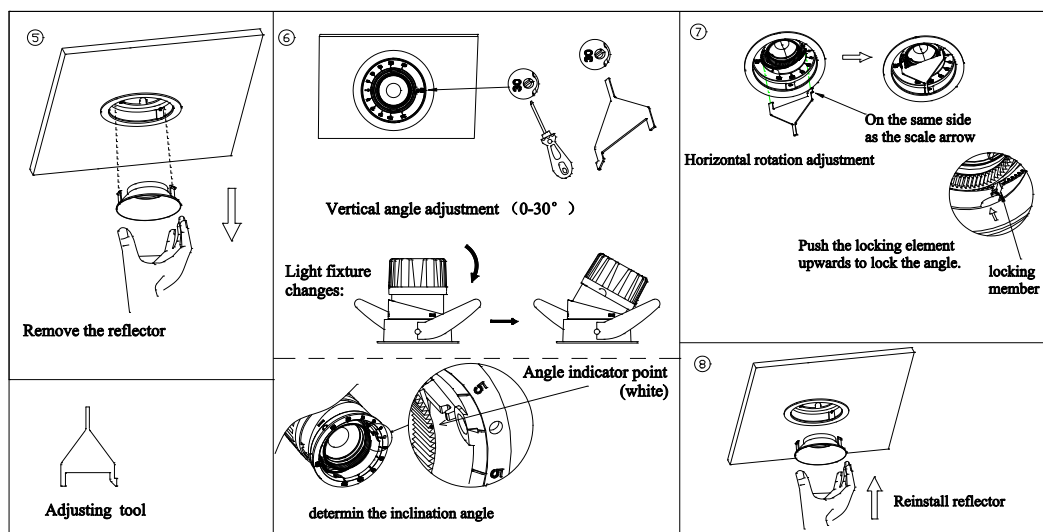
Installation Precautions:

1. Please read through the Instructions before installation.
2. The product should be installed by a professional electrician, make sure the power supply is cut off before installation and maintenance, to avoid the risk of electric shock.
3. Suitable for indoor installation and use (not suitable for damp environments).
4. The light can be recessed on the ceiling, where sufficient space must be reserved for installation. Do not cover the light with any thermal insulation or consumable articles to avoid fire hazards.
5. Do not install the light on an unstable or unsolid skylight, to avoid falling off.
6. The light source of this lamp is non-replaceable, and once it needs to be replaced (such as at the end of the lamp's lifespan), the entire lamp should be replaced.
7. Please keep this Instruction properly for future reference.

Light Installation and Wiring:



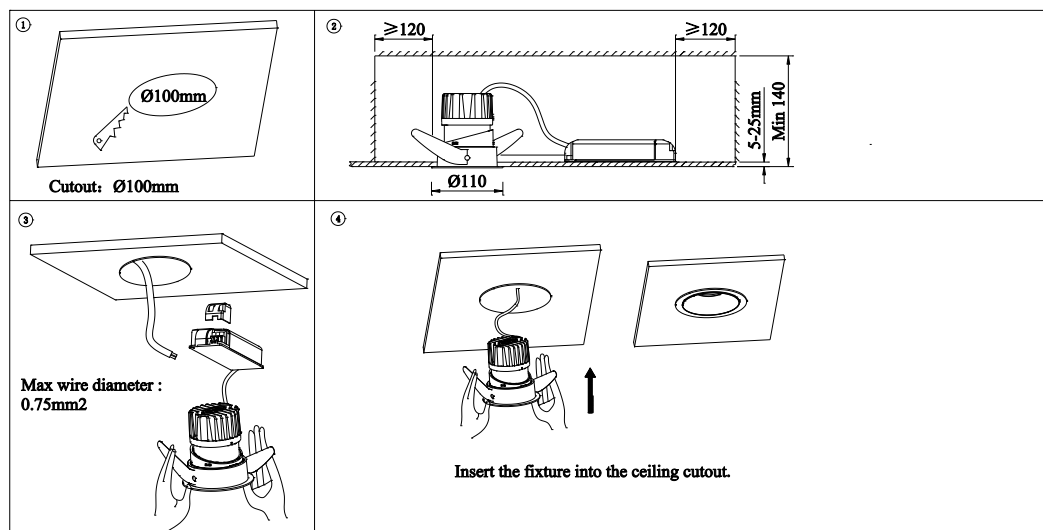
- * If the driver of the light comes with lead wires, and the leads need to be connected with an independent terminal block (refer to Figure 3 for wiring), the size of the terminal block for each line should not be less than 10x20x25mm.
- * Light without driver comes with red and black lead wires, and it cannot be directly connected to 220V AC. Customer-provided driver shall match the specification of LED source.



Installation Precautions:

1. Please read through the Instructions before installation.
2. The product should be installed by a professional electrician, make sure the power supply is cut off before installation and maintenance, to avoid the risk of electric shock.
3. Suitable for indoor installation and use (not suitable for damp environments).
4. The light can be recessed on the ceiling, where sufficient space must be reserved for installation. Do not cover the light with any thermal insulation or consumable articles to avoid fire hazards.
5. Do not install the light on an unstable or unsolid skylight, to avoid falling off.
6. The light source of this lamp is non-replaceable, and once it needs to be replaced (such as at the end of the lamp's lifespan), the entire lamp should be replaced.
7. Please keep this Instruction properly for future reference.

Light Installation and Wiring:



- * If the driver of the light comes with lead wires, and the leads need to be connected with an independent terminal block (refer to Figure 3 for wiring), the size of the terminal block for each line should not be less than $10 \times 20 \times 25\text{mm}$.
- * Light without driver comes with red and black lead wires, and it cannot be directly connected to 220V AC. Customer-provided driver shall match the specification of LED source.

