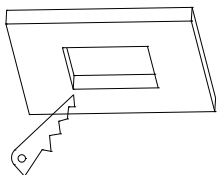


#### Installation Precautions:

1. Please read through the Instructions before installation.
2. The product should be installed by a professional electrician. Make sure the power supply is cut off before installation and maintenance, to avoid the risk of electric shock.
3. Suitable for indoor installation and use (not suitable for damp environments)
4. The light can be recessed on the ceiling, where sufficient space must be reserved for installation. Do not cover the light with any thermal insulation or consumable articles to avoid fire hazards.
5. In case of cracking of glass, please replace it immediately.
6. Do not install the light on an unstable or unsolid skylight, to avoid falling off.
7. Please keep this Instruction properly for future reference.
8. The LED source in the light should be replaced by the manufacturer or its service agent or similarly qualified personnel.

#### Light Installation and Wiring:

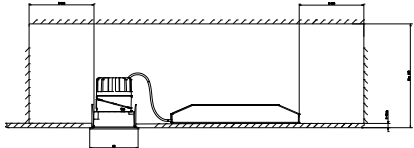
①



The ceiling shall be perforated according to the dimensions shown in the table:

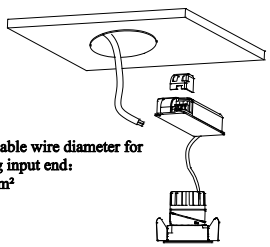
| model  | cutout size |
|--------|-------------|
| DLN25* | 55*55mm     |
| MTN25* | 55*110mm    |

②



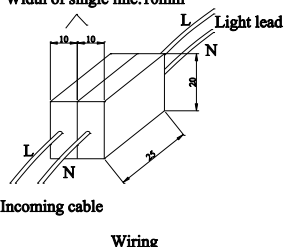
To ensure the normal operation of the lighting fixtures, it is necessary to ensure that there is a Sufficient reserved space.

③



Applicable wire diameter for driving input end:  
0.75mm<sup>2</sup>

④



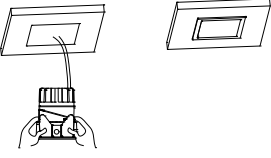
Width of single line:10mm

Light lead

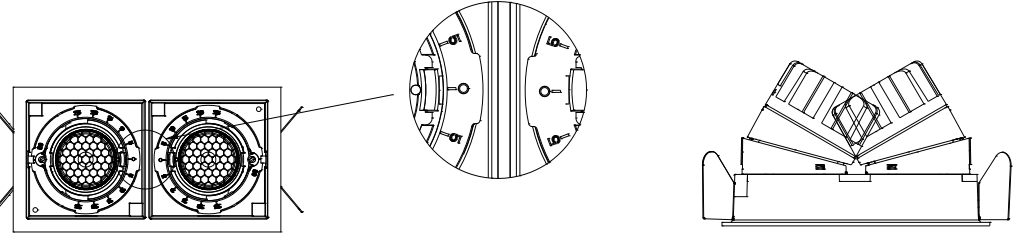
Incoming cable

Wiring

⑤



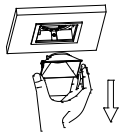
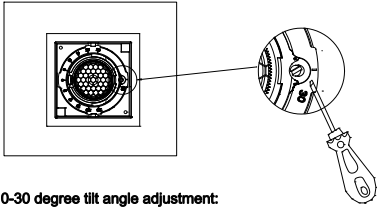
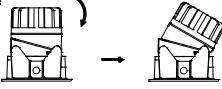
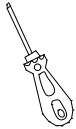
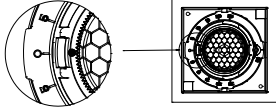
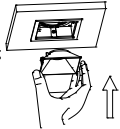
Pinch the shrapnel with both hands and push the lamp into the ceiling until it fits snugly.  
Attention: Please wear gloves during installation to avoid injury; Do not touch Reflector cover reflection surface to avoid touching the reflection surface.



Before installing the dual head lamp into the ceiling, adjust the lamp head as shown in the left picture,  
Can prevent interference in the right image when adjusting the light angle

- \* If the driver of the light comes with lead wires, and the leads need to be connected with an independent terminal block (refer to Figure 4 for wiring, This lamp does not include this terminal block), the size of the terminal block for each line should not be less than 10x20x25mm.
- \* Light without driver comes with red and black lead wires, and it cannot be directly connected to 220V AC. Customer-provided driver shall match the specification of LED source.

#### Light angle adjustment:

|   |   |  |
|---|---|--|
| <p>⑥</p>  <p>Use your hand to pick out the reflector cover<br/>(Operating with gloves)</p> | <p>⑦</p>  <p><b>0-30 degree tilt angle adjustment:</b><br/>Use a small flat screwdriver to adjust the part slot on the 30 scale edge, in order to achieve the goal of adjusting the beam angle</p> <p>Changes in single head lighting fixtures:</p> <p>Changes in dual head lighting fixtures:</p> | <p>⑧</p>  <p><b>Horizontal rotation adjustment of lighting fixtures:</b><br/>Insert a flat screwdriver into the groove next to the 30 mark mark, and use Rotate the force to achieve horizontal adjustment.</p> <p>When adjusting horizontally, if the rotation axes of the two lamp heads are located as shown in the figure below, it will not affect the angle adjustment</p> <p>When adjusting horizontally, the rotation axes of the two lamp heads are located as shown in the figure below, which will affect the angle adjustment. If In case of angle adjustment interference, adjust the horizontal rotation</p> |
| <p>Prepare Small Phillips screwdriver before adjusting the angle</p>                       | <p>Can be indicated through white dots and The digital scale on the lamp is correct<br/>Align position (0-30 degrees)<br/>Determine the inclination angle value of the lighting fixture</p>    | <p>⑨</p> <p>Push the reflector cover in Within the embedded parts of the lighting fixtures<br/>(Operating with gloves)<br/>Complete the angle adjustment operation immediately</p>    |

#### Installation Precautions:

1. Please read through the Instructions before installation.
2. The product should be installed by a professional electrician. Make sure the power supply is cut off before installation and maintenance, to avoid the risk of electric shock.
3. Suitable for indoor installation and use (not suitable for damp environments)
4. The light can be recessed on the ceiling, where sufficient space must be reserved for installation. Do not cover the light with any thermal insulation or consumable articles to avoid fire hazards.
5. In case of cracking of glass, please replace it immediately.
6. Do not install the light on an unstable or unsolid skylight, to avoid falling off.
7. Please keep this Instruction properly for future reference.
8. The LED source in the light should be replaced by the manufacturer or its service agent or similarly qualified personnel.

#### Light Installation and Wiring:

①

| model       | cutout (mm) |
|-------------|-------------|
| DLN35-LM07* | 79*79       |
| DLN35-LM10* |             |
| DLN35-LM13* |             |
| MTN35-207*  | 152*75      |
| MTN35-210*  |             |
| MTN35-213*  |             |

②

To ensure the normal operation of the lighting fixtures. To ensure the safety of the lighting fixtures. Reserved space after installation

③

Applicable wire diameter for drive input end:  
0.75mm<sup>2</sup>

④

Width of single line:  
10mm

Incoming cable

Wiring

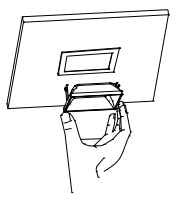
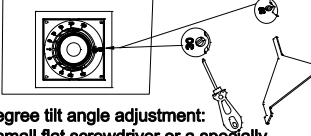
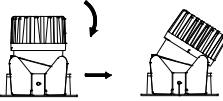
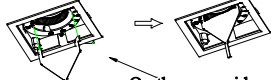

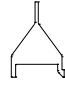
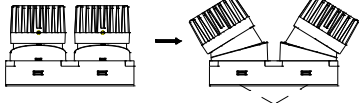
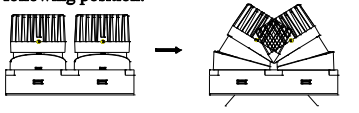


⑤

Pinch the shrapnel with your hand and push the light fixture into the ceiling  
Until the ceiling is level

Double headed lamps, when installing the lamp body, the arrows should be placed relative to each other to prevent interference from the heat dissipation block when adjusting the light angle

- \* If the driver of the light comes with lead wires, and the leads need to be connected with an independent terminal block (refer to Figure 4 for wiring, This lamp does not include this terminal block), the size of the terminal block for each line should not be less than 10x20x25mm.
- \* Light without driver comes with red and black lead wires, and it cannot be directly connected to 220V AC. Customer-provided driver shall match the specification of LED source.

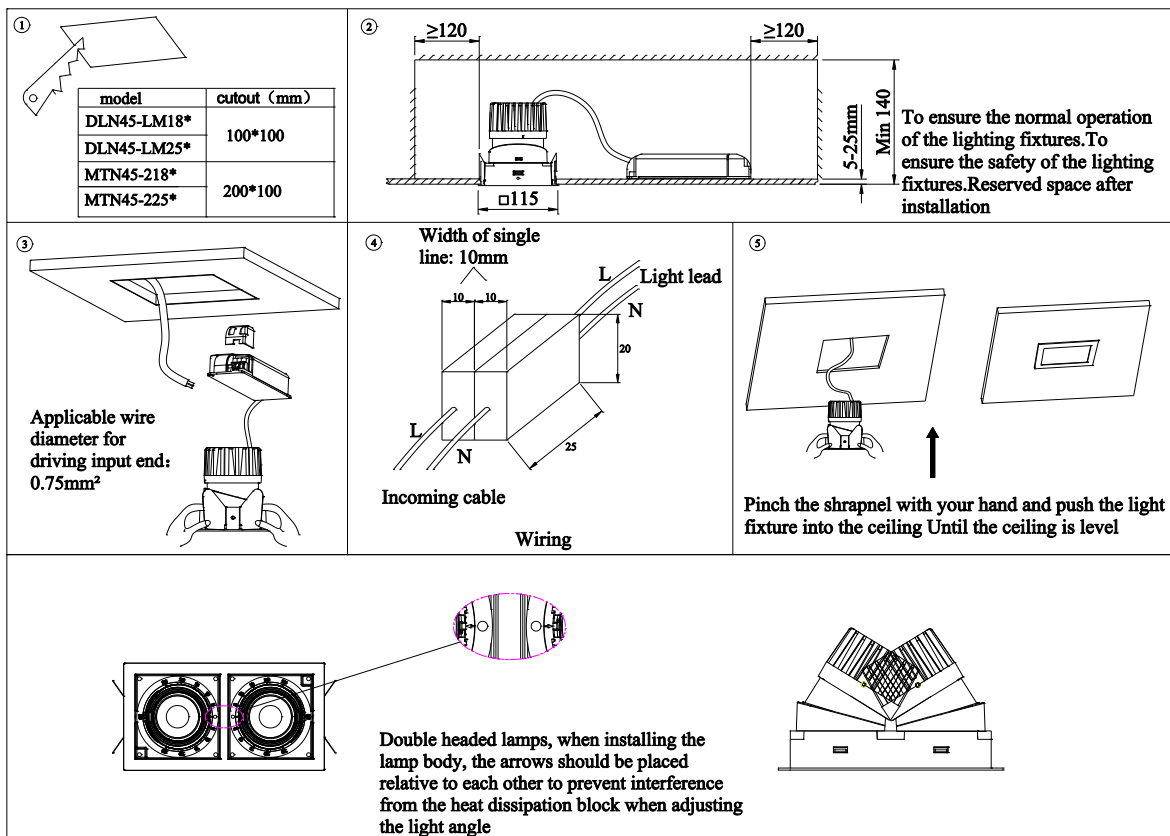
**Light angle adjustment:**

|  |   |  |
|--|---|--|
| <p>⑥</p>  <p>Use your hand to pick off the reflective surface cover (Operating with gloves)</p> | <p>⑦</p>  <p><b>0-30 degree tilt angle adjustment:</b><br/>Use a small flat screwdriver or a specially designed accessory wrench to adjust the flat groove of the 30 scale edge of the component, in order to achieve the purpose of adjusting the beam angle</p> <p>Light changes:<br/>Single head:</p>  | <p>⑧</p>  <p>On the same side as the scale arrow</p> <p><b>Horizontal rotation adjustment of lighting fixtures:</b><br/>Place one end of the special wrench diagonally on one side of the inner wall indicated by the arrow, and then place the other end of the wrench on the other side of the slot. Rotate the wrench vigorously to achieve horizontal rotation of the lamp. After completing the angle adjustment, push the locking element upwards to lock the angle.</p>  <p>locking member</p> |
|  <p>Attachment:<br/>Special Wrench IPC</p>  | <p>Light changes:<br/>Double head:</p>  <p>Unable to adjust to the following position:</p>    | <p>⑨</p>  <p>Push the reflector cover in Within the embedded parts of the lighting fixtures (Operating with gloves)<br/>Complete the angle adjustment operation immediately</p>  <p>Angle indicator point (White)</p> <p>The inclination angle value of the lamp can be determined by the indicated points on the diagram and the digital scale on the lamp (0-30 degrees)</p>   |

#### Installation Precautions:

1. Please read through the Instructions before installation.
2. The product should be installed by a professional electrician. Make sure the power supply is cut off before installation and maintenance, to avoid the risk of electric shock.
3. Suitable for indoor installation and use (not suitable for damp environments)
4. The light can be recessed on the ceiling, where sufficient space must be reserved for installation. Do not cover the light with any thermal insulation or consumable articles to avoid fire hazards.
5. In case of cracking of glass, please replace it immediately.
6. Do not install the light on an unstable or unsolid skylight, to avoid falling off.
7. Please keep this Instruction properly for future reference.
8. The LED source in the light should be replaced by the manufacturer or its service agent or similarly qualified personnel.

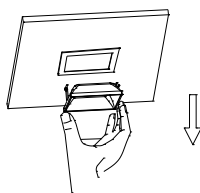
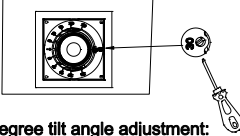
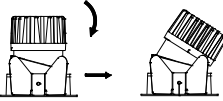
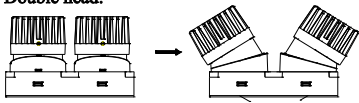
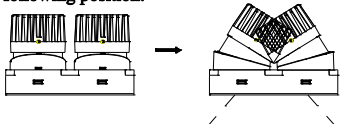
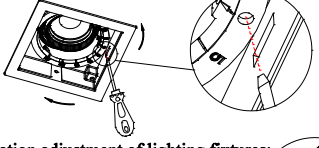
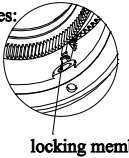

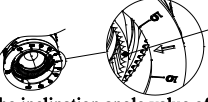
#### Light Installation and Wiring:



\* If the driver of the light comes with lead wires, and the leads need to be connected with an independent terminal block (refer to Figure 4 for wiring, This lamp does not include this terminal block), the size of the terminal block for each line should not be less than 10x20x25mm.

\* Light without driver comes with red and black lead wires, and it cannot be directly connected to 220V AC. Customer-provided driver shall match the specification of LED source.

**Light angle adjustment:**

|  |  |   |
|--|--|---|
| <p>⑥</p>  <p>Use your hand to pick off the reflective surface cover (Operating with gloves)</p> | <p>⑦</p>  <p><b>0-30 degree tilt angle adjustment:</b><br/>Use a small flat screwdriver to adjust the flat groove of the 30 scale edge of the component, in order to achieve the purpose of adjusting the beam angle</p> <p>Light changes:<br/>Single head:</p>  <p>Light changes:<br/>Double head:</p>  <p>Unable to adjust to the following position:</p>  | <p>⑧</p>  <p><b>Horizontal rotation adjustment of lighting fixtures:</b><br/>Insert a small flat screwdriver into the small hole on the dial, and rotate the dial clockwise or counterclockwise to achieve horizontal rotation of the lamp. After completing the angle adjustment, push the locking element upwards to lock the angle.</p>  <p>locking member</p> <hr/> <p>⑨</p>  <p>Push the reflector cover in Within the embedded parts of the lighting fixtures (Operating with gloves)<br/>Complete the angle adjustment operation immediately</p> <hr/>  <p>Angle indicator point (White)</p> <p>The inclination angle value of the lamp can be determined by the indicated points on the diagram and the digital scale on the lamp (0-30 degrees)</p> |
|--|--|---|