

FUEGO COMPACT MODEL: AEIR5N

In-ground Luminaires

WAC LIGHTING

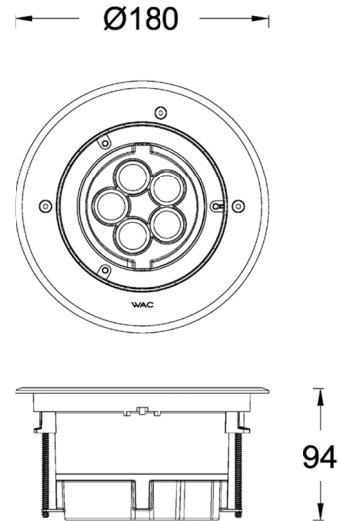
PROJECT:

TYPE:

Product Image



Line Drawing



Product Description

FUEGO Compact Adjustable has an adjustable angle range of 0°~30°. The surface frame is made of high-quality 316 stainless steel, and the lamp body is aluminum die-casting and high-temperature powder spraying. Suitable for outdoor environments, IP67 protection level, IK08 impact resistance level, can withstand pressure of 2000kg. High transmittance lens+hidden light system. Cooperate with the design of the embedded cylinder to facilitate customer installation and maintenance. Applied to residential areas, squares, parks, shopping centers, sculpture decoration lighting, etc.

Product Features

- Body Material: Aluminum alloy die-casting + Stainless steel frame
- Optical System: Lens+SUBROSA® Hidden light system
- Finish: Static electricity powder coating
- Adjustable Angle: 0°~30°
- Accessories: /
- Certification: CCC
- IP Rating: IP67,IK08
- Insulation Level: Class I
- Operating Temperature: -20°C~50°C

Product Specifications

- LED Type : HIGH POWER LED
- LED Power: 8W Max
- Source Lm: 3000K 930lm
- LED Lifetime: >50000h-L70 / B10-Ta25°C(LM-80/TM-21)
- CCT/CRI: 2700K, 3000K ,4000K, Ra80
- SDCM: 3 SDCM
- Input: 220V AC/50Hz
- Dimming: ON-OFF
- Net Weight: 2.3Kg without packing

Order Model

Model	Comment	Power (W)	LEDs (quantity)	Max Lumens (lm)	Control Systems	Beam	CCT	Finish
AEIR5N	A Adjustable	08 08(Max)	5	531	EL ON-OFF 220V AC Power Supply	S 7°	27 2700K 30 3000K 40 4000K	SS Stainless Steel
						1 14°		
						2 20°		
						3 30°		

Example: AEIR5NA-08ELS27SS

FUEGO COMPACT - MODEL: AEIR5N

WAC LIGHTING

In-ground Luminaires

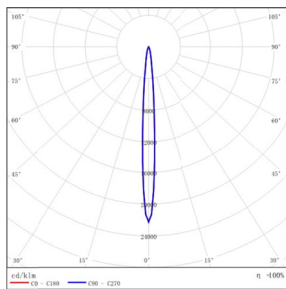
PROJECT:

TYPE:

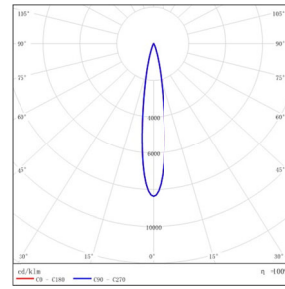
Accessory

Item	Description	Pic	Description Dimensions
AER15NA-RC001	Recessed Casing		

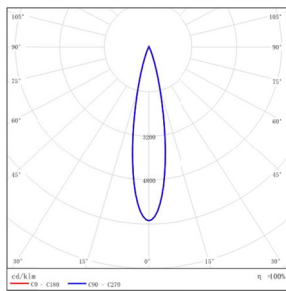
LIGHT DISTRIBUTION@3000K LUMINAIRE DATA



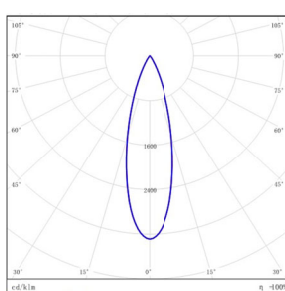
MODEL: AEIR5NA-08ELS30SS
BEAM ANGLE: 6.9°
POWER: 9.6W
LUMENS: 531.2 lm
CBCP: /
EFFICACY: 55.23 lm /W



MODEL: AEIR5NA-08EL130SS
BEAM ANGLE: 14.6°
POWER: 9.5W
LUMENS: 501.9 lm
CBCP: /
EFFICACY: 53.14 lm /W



MODEL: AEIR5NA-08EL230SS
BEAM ANGLE: 20.2°
POWER: 9.5W
LUMENS: 521.7 lm
CBCP: /
EFFICACY: 54.9 lm /W



MODEL: AEIR5NA-08EL330SS
BEAM ANGLE: 30°
POWER: 9.6 W
LUMENS: 515.5 lm
CBCP: /
EFFICACY: 53.8 lm /W

FUEGO COMPACT - MODEL: AEIR6N

WAC LIGHTING

In-ground Luminaires

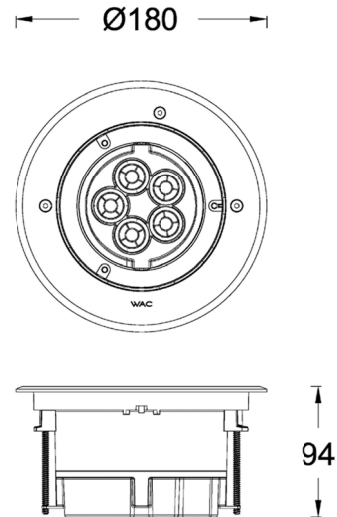
PROJECT:

TYPE:

Product Image



Line Drawing



Product Description

FUEGO Compact Adjustable has an adjustable angle range of 0 °~30 °. The surface frame is made of high-quality 316 stainless steel, and the lamp body is aluminum die-casting and high-temperature powder spraying. Suitable for outdoor environments, IP67 protection level, IK08 impact resistance level, can withstand pressure of 2000kg. High transmittance lens+hidden light system. Cooperate with the design of the embedded cylinder to facilitate customer installation and maintenance. Applied to residential areas, squares, parks, shopping centers, sculpture decoration lighting, etc.

Product Features

- Body Material: Aluminum alloy die-casting + Stainless steel frame
- Optical System: Lens+SUBROSA® Hidden light system
- Finish: Static electricity powder coating
- Adjustable Angle: 0°~30°
- Accessories: /
- Certification: CCC
- IP Rating: IP67,IK08
- Insulation Level: Class I
- Operating Temperature: -20°C~50°C

Product Specifications

- LED Type : HIGH POWER LED
- LED Power: 8W Max
- Source Lm: 3000K 930lm
- LED Lifetime: >50000h-L70 / B10-Ta25°C(LM-80/TM-21)
- CCT/CRI: 2700K, 3000K ,4000K, Ra80
- SDCM: 3 SDCM
- Input: 220V AC/50Hz
- Dimming: ON-OFF
- Net Weight: 2.3Kg without packing

Order Model

Model	Comment	Power (W)	LEDs (quantity)	Max Lumens (lm)	Control Systems	Beam	CCT	Finish
AEIR6N	A Adjustable	08 08(Max)	5	369	EL ON-OFF 220V AC Power Supply	S 7°	27 2700K 30 3000K 40 4000K	SS Stainless Steel
						1 13°		
						2 20°		
						3 30°		

Example: AEIR6NA-08ELS27SS

FUEGO COMPACT - MODEL: AEIR6N

WAC LIGHTING

In-ground Luminaires

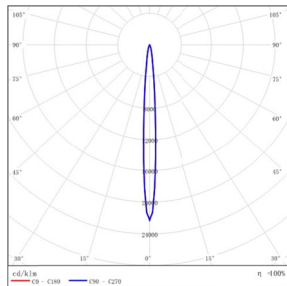
PROJECT:

TYPE:

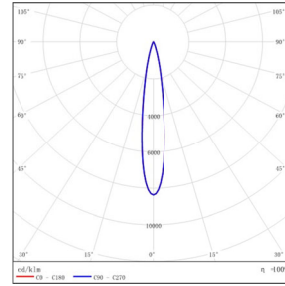
Accessory

Item	Description	Pic	Description Dimensions
AEIR5NA-RC001	Recessed Casing		

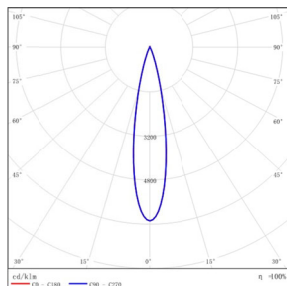
LIGHT DISTRIBUTION@3000K LUMINAIRE DATA



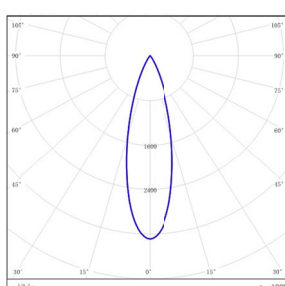
MODEL: AEIR6NA-08ELS30SS
BEAM ANGLE: 7.3°
POWER: 9.6W
LUMENS: 369 lm
CBCP: /
EFFICACY: 38.32 lm /W



MODEL: AEIR6NA-08EL130SS
BEAM ANGLE: 13.1°
POWER: 9.4W
LUMENS: 300 lm
CBCP: /
EFFICACY: 31.74 lm /W



MODEL: AEIR6NA-08EL2230SS
BEAM ANGLE: 20°
POWER: 9.5W
LUMENS: 321 lm
CBCP: /
EFFICACY: 33.83 lm /W



MODEL: AEIR6NA-08EL330SS
BEAM ANGLE: 30°
POWER: 9.6 W
LUMENS: 322 lm
CBCP: /
EFFICACY: 33.61 lm /W