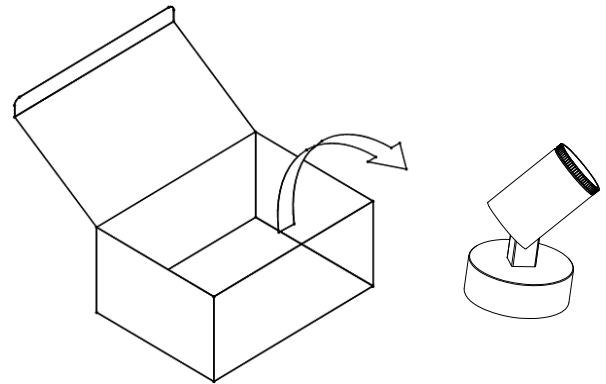


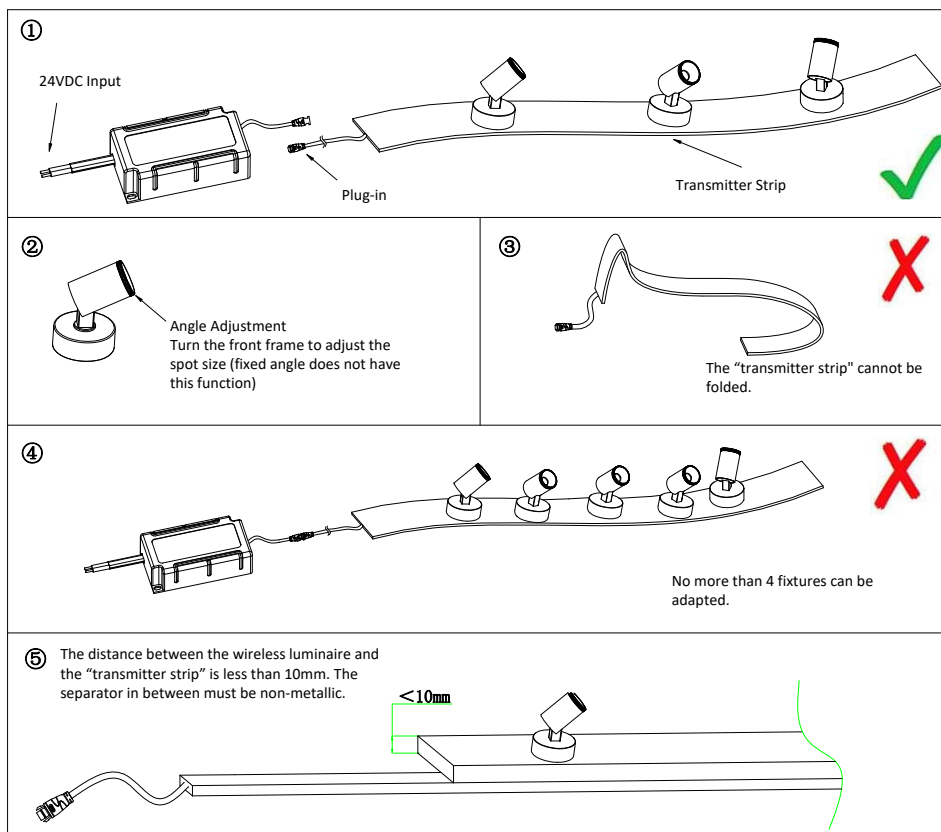
### Installation Precaution:

1. Please read the instruction manual carefully before installation and follow the instructions.
2. Please have it installed by a qualified electrician and make sure that the **power is turned off before installation or maintenance.**
3. Applicable for indoor installation (not to be used in humid environment).
4. **The system consists of a "transmitter strip" and a "display case sensor luminaire".**
5. The luminaire is only suitable for use with WAC wireless power supply units (transmitter bands).
6. The light source of this luminaire is non-replaceable and the entire luminaire should be replaced (e.g. at the end of the light source's life).
7. Please keep this manual for future reference if needed.



### Fixture Adjustment:

1. The fixtures are only suitable for the WAC "transmitter strip" (to be ordered separately).
2. The luminaires can be placed at any position of the "transmitter strip", and the distance between the luminaires is less than 10mm (4 luminaires in a single strip).
3. Do not place any metal other than the inductive lamps in the 5cm range around the "transmitter strip".
4. "Transmitter tape" should be used horizontally. Folding, bending, cutting or modification is prohibited.
5. Different lengths of the "transmitter strip" corresponding to different adapters, prohibit the modification of the mixed connection.
6. The operating voltage of the adapter is 24VDC, please use the regular brand of non-dimming constant voltage power supply (Class II) power supply, prohibit the use of over-voltage.



Authorized by WAC Lighting Corporation, USA, holder of the "WAC" trademark.

China Marketing Headquarters: WAC Lighting Technology (Shanghai) Co.

Address: Room 102, No. 14, Lane 299, Bisheng Road, Pilot Free Trade Zone, Shanghai (201204), P.R.C.

China Factory: Manufactured WAC Lighting(Dongguan)Co.,Ltd

Address: No. 390, Qingfeng Road, Qingxi Town, Dongguan City, Guangdong Province, 523653, P.R. China