

Product Type:

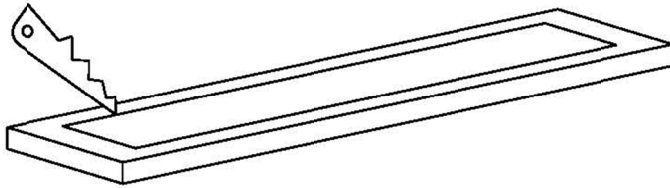
The installation instructions apply to the LED Outdoor Window Sill Light AEDW303-* series.

Installation Precaution:

1. Please read the instructions carefully before installation.
2. Please ask a professional electrician to install it.
3. To avoid the risk of electric shock, make sure the power is turned off before installation and maintenance.
4. Please make sure the mounting surface is firm and reliable before installing the fixture to avoid the fixture falling.
5. Please keep the instruction manual for reference.

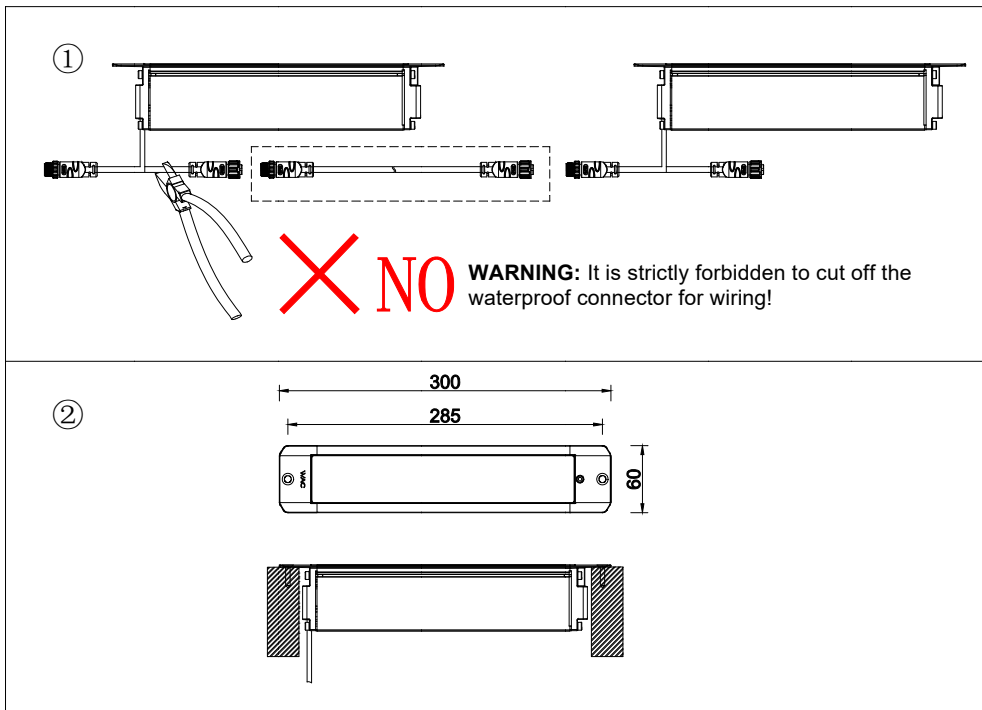
Installation Methods and Procedures:

1. Make suitable openings according to the models and dimensions in the table below.



Model Type	Cutout size	Length (mm)	Width (mm)
EDW303-*		265	50

2. Connect the fixture with the corresponding 2-pole or 5-pole male/female connector according to the wiring mark. The 2-pole or 5-pole male/female connectors (not supplied) need to be customized in length according to the actual project conditions, as shown in Figure ① below; place the light body into the cutout slots and fasten it with mounting screws, as shown in Figure ② below.



Authorized by WAC Lighting Corporation, USA, holder of the “WAC” trademark.

China Marketing Headquarters: WAC Lighting Technology (Shanghai) Co.

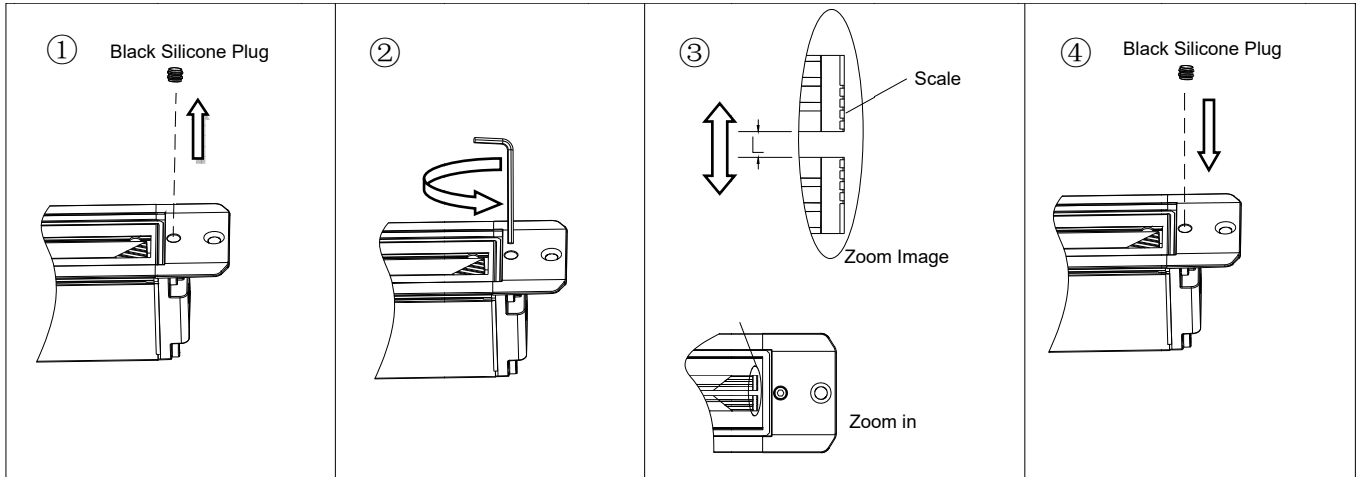
Address: Room 102, No. 14, Lane 299, Bisheng Road, Pilot Free Trade Zone, Shanghai (201204), P.R.C.

China Factory: Manufactured WAC Lighting(Dongguan)Co,Ltd

Address: No. 390, Qingfeng Road, Qingxi Town, Dongguan City, Guangdong Province, 523653, P.R. China

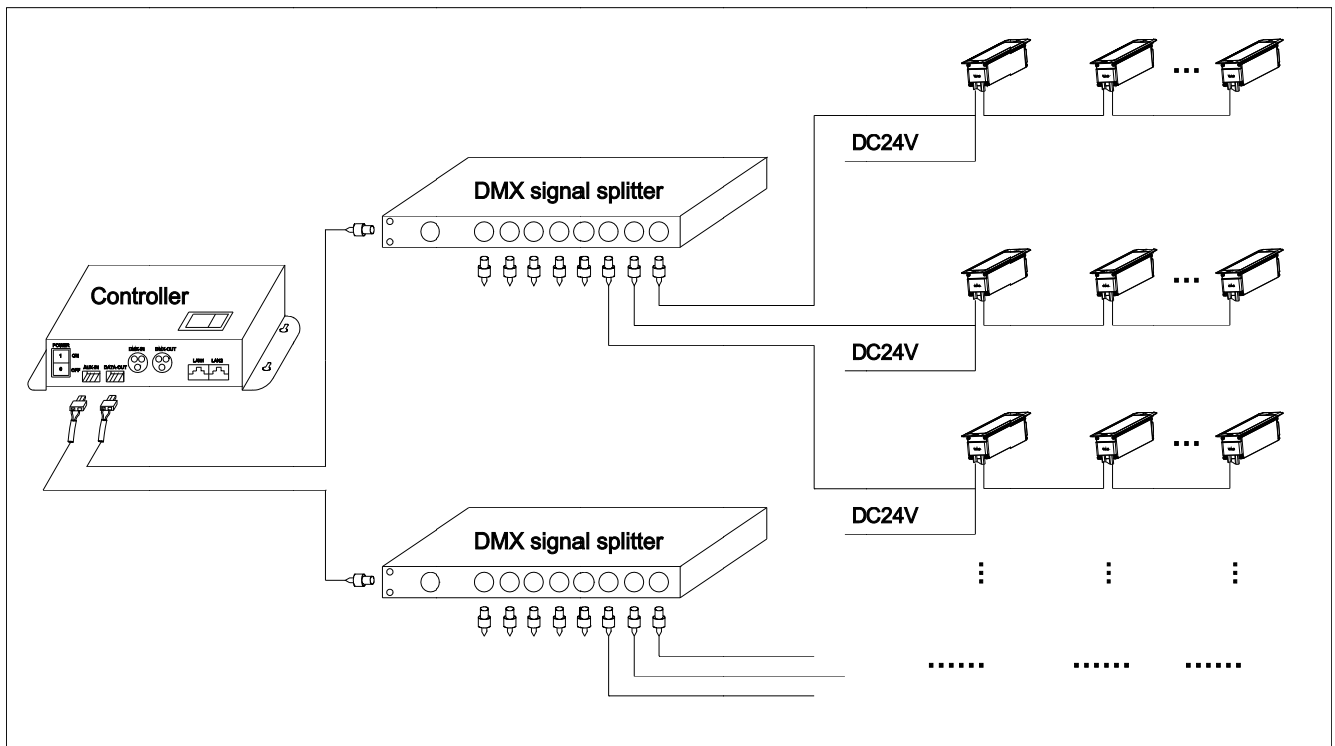
3. Lighting regulation

The light can be adjusted by removing the black silicone plug in the end cap on the right side of the figure below, as shown in figure ① below. Adjust the screws with hexagonal wrench to change the width L of the visor (clockwise adjustment makes the width L smaller, counterclockwise adjustment makes the width L larger), and then change the angle of light output, as shown in the following figure ② ③. The black silicone plug needs to be put back into the hole of the end cap after the adjustment of the light fixture is completed, as shown in Figure ④ below.



4. DMX512 Dimming Control

1. DMX512 dimming luminaires wiring method is shown in the following figure, it is recommended that the number of luminaires connected to each power circuit does not exceed 8.



Notes:

IP67 and above waterproof junction box shall be used for wire connection, and the waterproof connector of the junction box shall be matched with the lamp lead. It is recommended that the number of fixtures connected to each signal circuit should not exceed 25, if there is any interference, please connect DMX signal amplifier.

Authorized by WAC Lighting Corporation, USA, holder of the "WAC" trademark.

China Marketing Headquarters: WAC Lighting Technology (Shanghai) Co.

Address: Room 102, No. 14, Lane 299, Bisheng Road, Pilot Free Trade Zone, Shanghai (201204), P.R.C.

China Factory: Manufactured WAC Lighting(Dongguan)Co,Ltd

Address: No. 390, Qingfeng Road, Qingxi Town, Dongguan City, Guangdong Province, 523653, P.R. China