

RUYI PRO - MODEL: AEDW3

Windows Light Luminaires

WAC LIGHTING

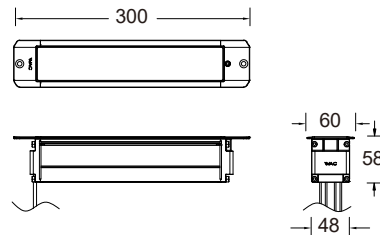
Project:

Type:

Product Image



Line Drawing



Product Description

Extruded aluminum body with high temperature powder coating. Compact size and recognizable design, suitable for outdoor applications, IP65 rating. Adjustable angle of light output, convenient for installation and testing. Stable fixing of the luminaires on the mounting surface. High transmittance lens for building facades, bay windows, etc.

Product Features

- **Body Material:** Aluminum Extruded Body + Aluminum Die-Cast End Cap
- **Optical System:** Lens
- **Finish:** Electrostatic powder coating
- **Projection Direction:** /
- **Accessory/ Bracket/ > /**
- **Certification:** CQC
- **IP Rating:** IP65
- **Insulation Level:** Class III
- **Operating Temperature:** -20°C~50°C

Product Specifications

- **LED Type:** High Power LED
- **Power:** 22W Max
- **Source Lm:** 2700K 2200lm/3000K 2310lm/4000K 2420lm
- **LED Lifetime:** > 50,000h-L70 /B10-Ta25°C(LM-80/TM-21)
- **CCT/CRI:** 2700K/3000K/4000K, Ra90
- **SDCM:** 3 SDCM
- **Input:** 24V DC
- **Dimming:** ON-OFF/DMX512
- **Net Weight:** Approx. 0.85Kg, excluding packaging

Order Model

Model	Length (mm)	Power (W)	LEDs (Quantity)	Driver	Beam	CCT	Finish
AEDW303	300	22 22(Max)	8	ET ON-OFF	F 5°X180°	27 2700K	BK Black GH Gray
				24V AC Power Supply	~ 25°X180°	30 3000K	
				MT DMX512 Dimming		40 4000K	
				24V AC Power Supply			

Example: AEDW303-22ETF27BK

RUYI PRO - MODEL: AEDW3


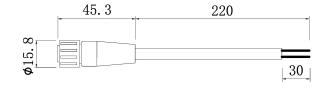

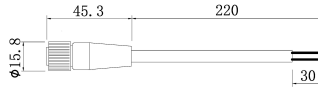

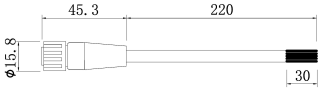

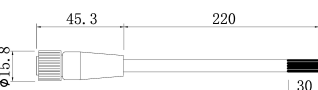

WAC LIGHTING

Windows Light Luminaires

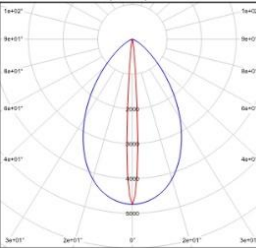
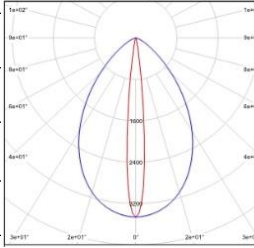
Project Name:

Type:

Accessories

Item	Description	Pic	Mounting	Suggested
AELF5-PC-CT002F	ET Female connector			1 pc per 8pc
AELF5-PC-CT002M	ET Male connector			1 pc per 8pc
AELF5-CC-CT002F	MT Female connector			1 pc per 8pc
AELF5-CC-CT002M	MT Male connector			1 pc per 8pc
	Signal connector			Used for signal connection between two lights, length according to the actual installation distance between the two lights +400mm (orders need to confirm the length with the product manager).

Light Distribution@3000K Data

	MODEL:	AEDW303-22MTF30BK		MODEL:	AEDW303-22MTF30BK
	BEAM ANGLE:	6°x180° Narrow Angle		BEAM ANGLE:	19°x180° Wide Angle
	POWER:	25.73 W		POWER:	25.66 W
	LUMENS:	160.53 lm		LUMENS:	381.66 lm
	CBPC:	1423 cd		CBPC:	1326 cd
	EFFICACY:	6.24 lm /W		EFFICACY:	14.87 lm /W