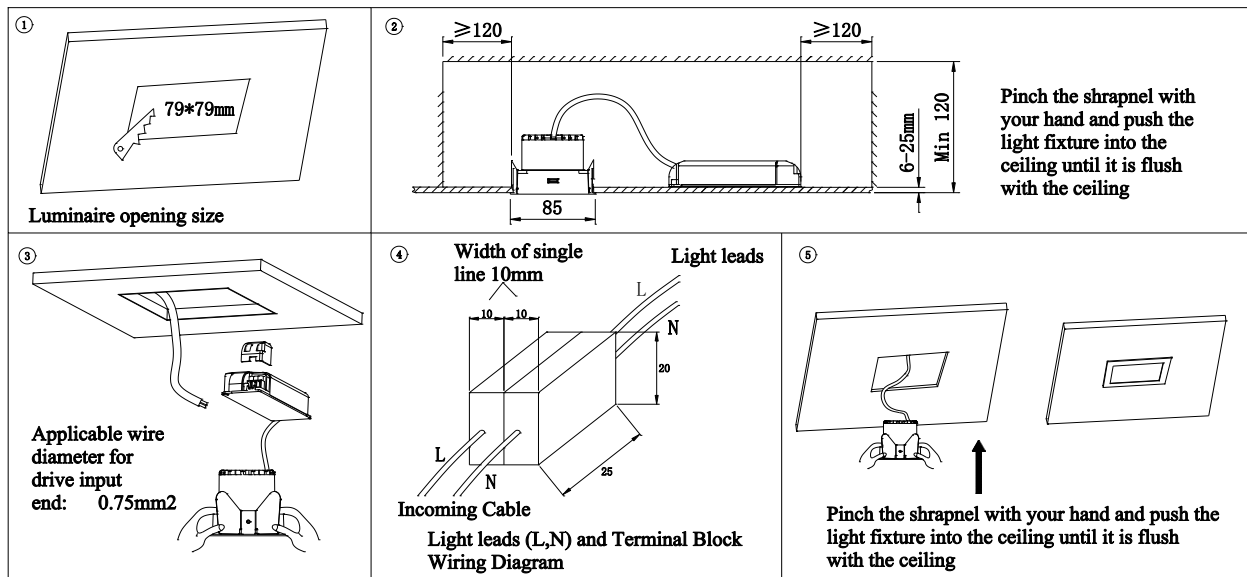


Installation Precautions:

1. Before installation, please carefully read the instruction manual and operate according to the content of the installation manual
2. Qualified electricians are required for installation. To avoid the risk of electric shock, please confirm to turn off the power before installation and maintenance;
3. Suitable for indoor installation and use (not suitable for humid environments);
4. The lighting fixtures can be embedded into the surface of the ceiling, but do not cover them with insulation or flammable materials to avoid causing a fire;
5. Do not install the lighting fixtures on unstable and unstable skylights to prevent them from falling;
6. The light source of this lamp is no replaceable, and once it needs to be replaced (such as at the end of the lamp's lifespan), the entire lamp should be replaced;
7. Keep this manual properly for future use.

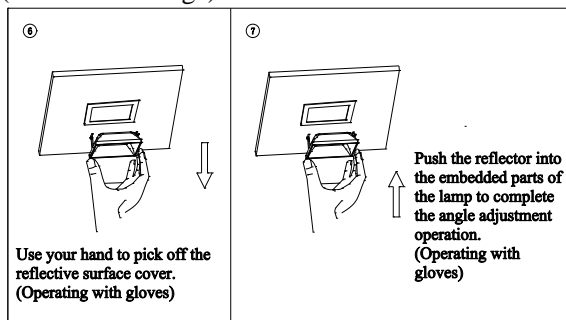
Light Installation and Wiring:



*If the driver of the lamp comes with a lead wire, and this connecting lead wire needs to be connected to an independent terminal block (refer to the schematic diagram in Figure 4 for wiring, this lamp does not include this terminal block), the size of each terminal block should not be less than $10 \times 20 \times 25$ mm.

*Luminaires without electrical appliances should have four red, black, yellow, and white lead wires, which **cannot be directly connected to 220VAC mains power**. On site, self-equipped dimmer appliances (DALI DT8) should be provided, and the electrical parameters should meet the current 300mA MAX, 36V Typ, and be wired according to the instructions on the label (red to W+, black to W-, yellow to C+, and white to C-)

DLN37 series dismantling reflector cover (bottom left image):



DWN35 Wall Wash Light Direction (bottom right image):

