

VOLTA TUNABLE - MODEL: ADLT41

4" Round Narrow Tunable Recessed Downlight

WAC LIGHTING

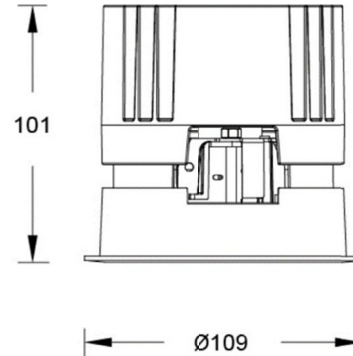
Project Name:

Type:

Product Image



Line Drawing



Product Description

VOLTA Tunable series LED Square narrow recessed downlight, streamlined appearance, with precise lens and black mirror reflector design. It guarantees light output while still achieving the ultimate anti-glare effect, and the light source cavity is sealed to minimize the impact of humid environment on its performance. Free to remove and replace the reflector or optical accessories, greatly improving the convenience of the site. Mainly suitable for hotel and commercial indoor places.

Product Features

- **Body Material:** Aluminum die-casting lamp body
- **Optical System:** Lens+Reflector
- **Finish:** Electrostatic powder coating
- **Objection Angle:** Vertical 0-25° adjustable
- **Accessory / Bracket:** See attachment
- **Certification:** CCC
- **IP Rating:** IP20 (light source cavity IP44)
- **Insulation Class:** Class II
- **Operating Temperature:** -20°C~40°C

Product Specifications

- **Cutoff Angle:** Ø100x100mm
- **Ceiling Thickness:** 1mm~20mm
- **Shading Angle:** 30°
- **LED Type:** COB
- **Source Lm:** 2000lm
- **LED Lifetime:** >50000h-L70 /B10-Ta25°C(LM-80/TM-21)
- **CCT/CRI:** 2700K~6000K Tunable, CRI≥90
- **Input:** 220V AC / 50Hz
- **Dimming:** DALI (must do match test with project site system in advance) .
- **Net Weight:** Approx. 0.6Kg, excluding packaging

Order Model

Model	Size	Trim	LED	Driver	Beam	CCT	Reflector	Finish
ADLT	4	1	LM18	A DALI	1 18°	CC	B Black	WT White
Downlight	4"	Round Trim	COB 18W	N No Driver	2 28°	2700K~6000K	S Specular	BK Black
Directional					3 38°	(Tunable)		
T series					5 50°			

Example: ADLT41-LM18A2CCSWT

VOLTA TUNABLE- MODEL: ADLT41

4" Round Narrow Tunable Recessed Downlight

WAC LIGHTING

Project Name:

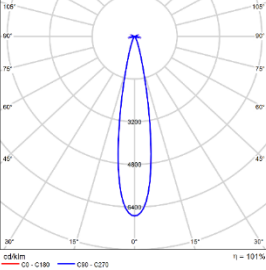
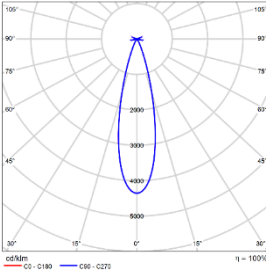
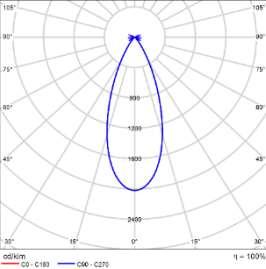
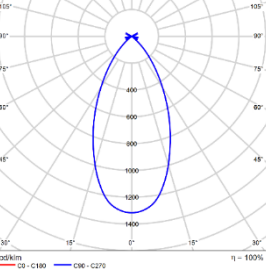
Type:

Accessory

LENS-ADLT41-BEL Striped Glass Lens		LENS-ADLT41-HCL Rimless Honeycomb Grid	
--	---	--	---

Note: Up to one additional optical accessory can be installed, the factory does not come with accessories, need to be ordered separately.

Light Distribution@3000K Data

	<p>MODEL: ADLT41-LM18A1CCSWT</p> <p>BEAM ANGLE: 18°</p> <p>POWER: 21W</p> <p>LUMENS: 1349lm</p> <p>CBCP: 9081cd</p> <p>EFFICACY: 64lm/W</p>		<p>MODEL: ADLT41-LM18A2CCSWT</p> <p>BEAM ANGLE: 28°</p> <p>POWER: 21W</p> <p>LUMENS: 1384lm</p> <p>CBCP: 6025cd</p> <p>EFFICACY: 66lm/W</p>
	<p>MODEL: ADLT41-LM18A3CCSWT</p> <p>BEAM ANGLE: 38°</p> <p>POWER: 21W</p> <p>LUMENS: 1421lm</p> <p>CBCP: 2871cd</p> <p>EFFICACY: 68lm/W</p>		<p>MODEL: ADLT41-LM18A5CCSWT</p> <p>BEAM ANGLE: 50°</p> <p>POWER: 21W</p> <p>LUMENS: 1184lm</p> <p>CBCP: 1558cd</p> <p>EFFICACY: 56lm/W</p>

VOLTA TUNABLE- MODEL: ADLT51

WAC LIGHTING

5" Round Narrow Tunable Recessed Downlight

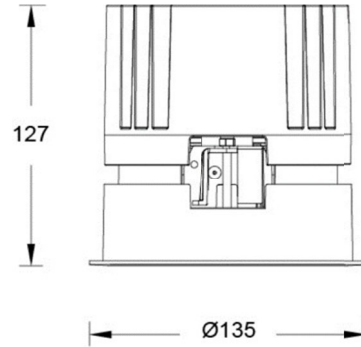
Project Name:

Type:

Product Image



Line Drawing



Product Description

VOLTA Tunable series LED square narrow recessed downlight, streamlined appearance, with precise lens and black mirror reflector design. It guarantees light output while still achieving the ultimate anti-glare effect, and the light source cavity is sealed to minimize the impact of humid environment on its performance. Free to remove and replace the reflector or optical accessories, greatly improving the convenience of the site. Mainly suitable for hotel and commercial indoor places.

Product Features

- **Body Material:** Aluminum die-casting lamp body
- **Optical System:** Lens+Reflector
- **Finish:** Electrostatic powder coating
- **Objection Angle:** Vertical 0-25° adjustable
- **Accessory / Bracket:** See attachment
- **Certification:** CCC
- **IP Rating:** IP20 (light source cavity IP44)
- **Insulation Class:** Class II
- **Operating Temperature:** -20°C~40°C

Product Specifications

- **Cutoff Angle:** Ø125x125mm
- **Ceiling Thickness:** 1mm~25mm
- **Shading Angle:** 30°
- **LED Type:** COB
- **Source Lm:** 2500lm
- **LED Lifetime:** >50000h-L70 /B10-Ta25°C(LM-80/TM-21)
- **CCT/CRI:** 2700K~6000K Tunable, CRI≥90
- **Input:** 220V AC / 50Hz
- **Dimming:** DALI (must do match test with project site system in advance) .
- **Net Weight:** Approx. 1.1Kg, excluding packaging

Order Model

Model	Size	Trim	LED	Driver	Beam	CCT	Reflector	Finish
ADLT Downlight Directional T series	5	1	LM25	A DALI	1 18°	CC 2700K~6000K (Tunable)	B Black	WT White
	5"	Round Trim	COB 25W	N No Driver	2 28°		S Specular	BK Black
					3 38°			
					5 50°			

Example: ADLT51-LM25A2CCSWT

VOLTA TUNABLE- MODEL: ADLT51

5" Round Narrow Tunable Recessed Downlight

WAC LIGHTING

Project Name:

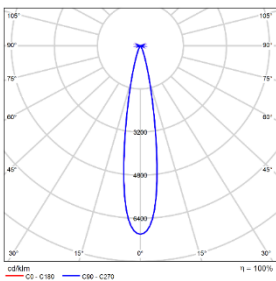
Type:

Accessory

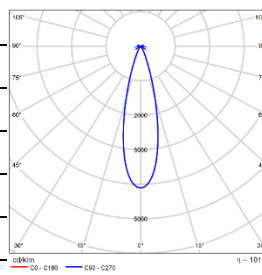
LENS-ADLT51-BEL Striped Glass Lens 	LENS-ADLT51-HCL Rimless Honeycomb Grid 
--	--

Note: Up to one additional optical accessory can be installed, the factory does not come with accessories, need to be ordered separately.

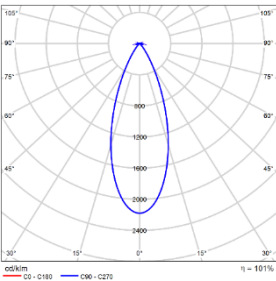
Light Distribution@3000K Data



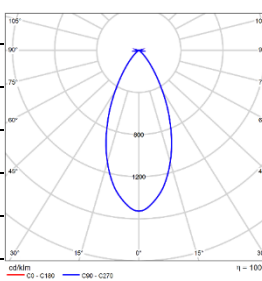
MODEL:	ADLT51-LM25A1CCSWT
BEAM ANGLE:	18°
POWER:	28W
LUMENS:	2094lm
CBCP:	14632cd
EFFICACY:	75lm/W



MODEL:	ADLT51-LM25A2CCSWT
BEAM ANGLE:	28°
POWER:	28W
LUMENS:	1967lm
CBCP:	8073cd
EFFICACY:	70lm/W



MODEL:	ADLT51-LM25A3CCSWT
BEAM ANGLE:	38°
POWER:	28W
LUMENS:	2142lm
CBCP:	4668cd
EFFICACY:	77lm/W



MODEL:	ADLT51-LM25A5CCSWT
BEAM ANGLE:	50°
POWER:	28W
LUMENS:	1830lm
CBCP:	2794cd
EFFICACY:	65lm/W

VOLTA TUNABLE - MODEL: ADLT61

WAC LIGHTING

6" Round Narrow Tunable Recessed Downlight

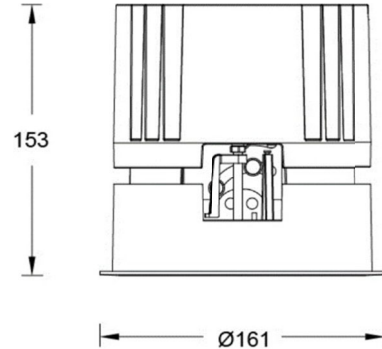
Project Name:

Type:

Product Image



Line Drawing



Product Description

VOLTA series LED square narrow recessed downlight, streamlined appearance, with precise lens and black mirror reflector design. It guarantees light output while still achieving the ultimate anti-glare effect, and the light source cavity is sealed to minimize the impact of humid environment on its performance. Free to remove and replace the reflector or optical accessories, greatly improving the convenience of the site. Mainly suitable for hotel and commercial indoor places.

Product Features

- **Body Material:** Aluminum die-casting lamp body
- **Optical System:** Lens+Reflector
- **Finish:** Electrostatic powder coating
- **Objection Angle:** Vertical 0-25° adjustable
- **Accessory / Bracket:** See attachment
- **Certification:** CCC
- **IP Rating:** IP20 (light source cavity IP44)
- **Insulation Class:** Class II
- **Operating Temperature:** -20°C~40°C

Product Specifications

- **Cutoff Angle:** Ø150x150mm
- **Ceiling Thickness:** 1mm~30mm
- **Shading Angle:** 30°
- **LED Type:** COB
- **Source Lm:** 4500lm
- **LED Lifetime:** >50000h-L70 /B10-Ta25°C(LM-80/TM-21)
- **CCT/CRI:** 2700K~6000K Tunable, CRI≥90
- **Input:** 220V AC / 50Hz
- **Dimming:** DALI (must do match test with project site system in advance) .
- **Net Weight:** Approx. 1.7Kg, excluding packaging

Order Model

Model	Size	Trim	LED	Driver	Beam	CCT	Reflector	Finish
ADLT Downlight Directional T series	6 6"	1 Round Trim	LM43 COB 43W	A DALI N No Driver	1 18° 2 28° 3 38° 5 50°	CC 2700K~6000K (Tunable)	B Black S Specular	WT White BK Black

Example: ADLT61-LM43A2CCSWT

WAC Lighting
www.waclighting.com (US)
www.waclighting.net (International)

Headquarters
44 Harbor Park Drive • Port Washington, NY
Phone (516) 515.5000 • Fax (516) 515.5050

WAC Lighting Technology (Shanghai) Co, Ltd.
14,Lane 299, Bi Sheng Road,Shanghai 201204
Phone (86.21) 3393.3558 • Fax (86.21) 3362.1598

WAC Lighting reserves the right to periodically design and update products. 2024-03-26

VOLTA TUNABLE - MODEL: ADLT61

6" Round Narrow Tunable Recessed Downlight

WAC LIGHTING

Project Name:

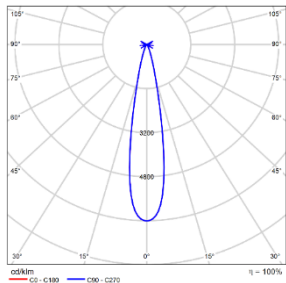
Type:

Accessory

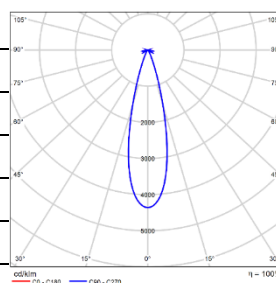
LENS-ADLT61-BEL Striped Glass Lens 	LENS-ADLT61-HCL Rimless Honeycomb Grid 
--	--

Note: Up to one additional optical accessory can be installed, the factory does not come with accessories, need to be ordered separately.

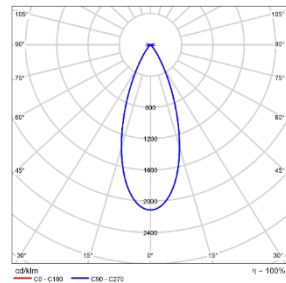
Light Distribution@3000K Data



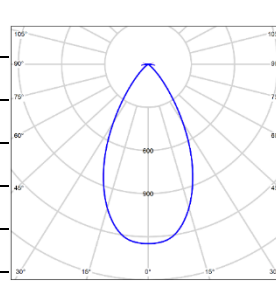
MODEL: ADLT61-LM43A1CCSWT
BEAM ANGLE: 18°
POWER: 47W
LUMENS: 3254lm
CBCP: 20859cd
EFFICACY: 65lm/W



MODEL: ADLT61-LM43A2CCSWT
BEAM ANGLE: 28°
POWER: 47W
LUMENS: 3271lm
CBCP: 14257cd
EFFICACY: 70lm/W



MODEL: ADLT61-LM43A3CCSWT
BEAM ANGLE: 38°
POWER: 47W
LUMENS: 3367lm
CBCP: 7111cd
EFFICACY: 72lm/W



MODEL: ADLT61-LM43A5CCSWT
BEAM ANGLE: 50°
POWER: 47W
LUMENS: 3249lm
CBCP: 4052cd
EFFICACY: 69lm/W