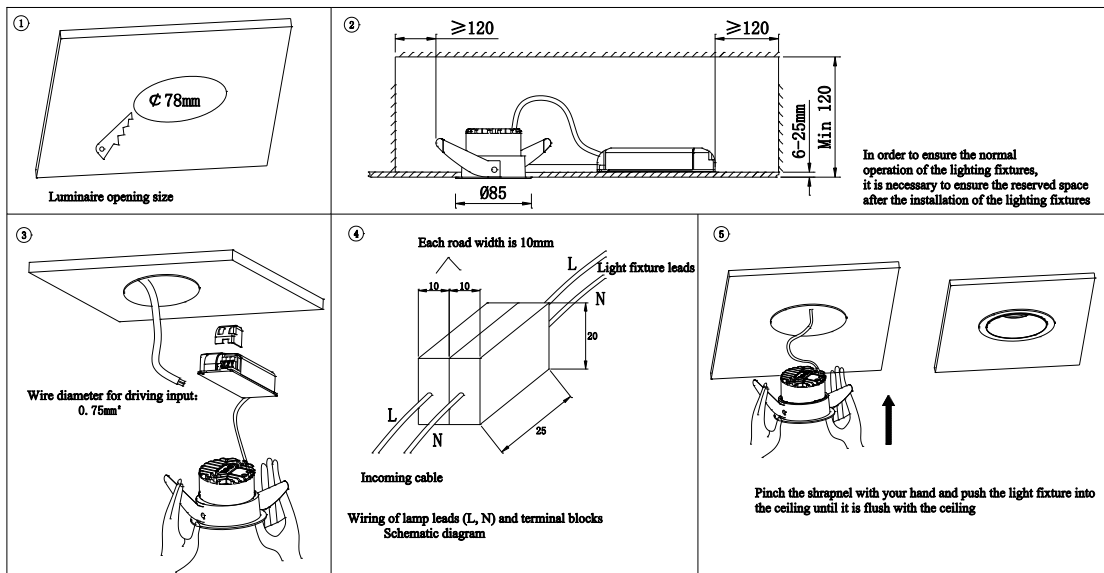


## Installation Precautions:

1. Please read the instruction manual carefully and follow the instructions before installation;
2. The product is installed by a professional electrician. To avoid the risk of electric shock, please confirm to turn off the power before installation and maintenance;
3. Suitable for indoor installation and use (not suitable for humid environments);
4. The lighting fixtures can be embedded into the surface of the ceiling, but do not cover them with insulation or flammable materials to avoid causing a fire;
5. Do not install the lighting fixtures on unstable and unstable skylights to prevent them from falling;
6. The light source of this lamp is non replaceable, and once it needs to be replaced (such as at the end of the lamp's lifespan), the entire lamp should be replaced;
7. Keep this manual properly for future use.

## Light Installation and Wiring:



\* If the driver of the light comes with lead wires, and the leads need to be connected with an independent terminal block (refer to Figure 3 for wiring), the size of the terminal block for each line should not be less than 10x20x25mm.

\* The lights without electrical appliances are reserved with four red, black, yellow, and white lead wires, which cannot be directly connected to 220V AC. On site, self equipped dimmer appliances (DALI DT8) are required, and the electrical parameters must meet the constant current 300mA MAX, 36V Typ, and wired according to the instructions on the label (the red wire on the lamp is connected to W+, the black wire is connected to W-, the yellow wire is connected to C+, and the white wire is connected to C-).

## DLN33 series disassembly and assembly reflector cover (Figure 6, 7) , DWN31 Wall Wash Light Outlet Adjustment (Figure 8)

