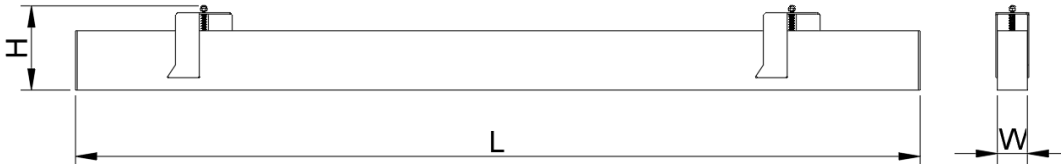


I. Installation Precaution:

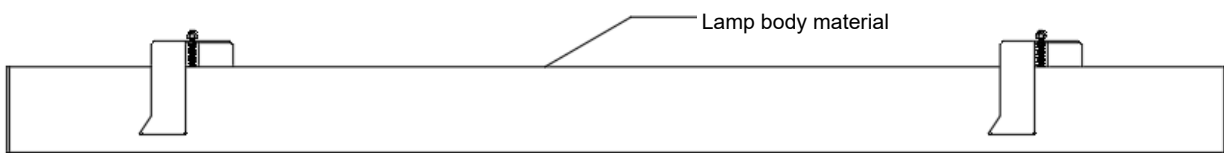
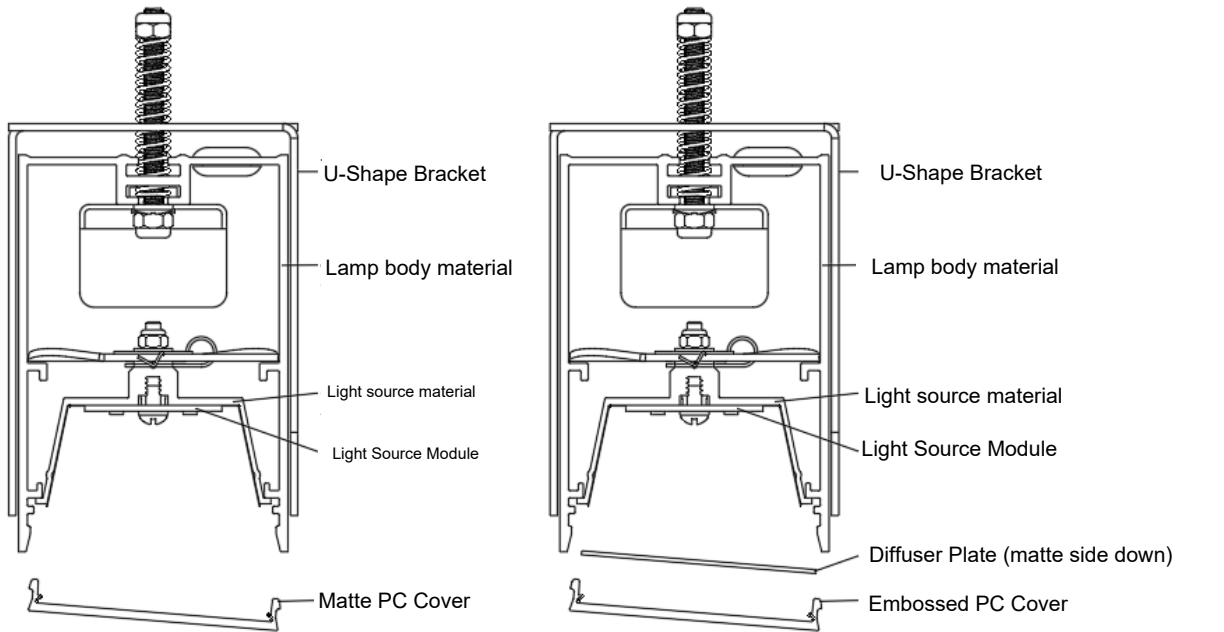
1. Please read all installation precautions carefully.
2. For indoor installation only (not for use in humid environment).
3. The installation and testing of the luminaires must be operated by professionally qualified personnel.
4. Please make sure to turn off the power before installation to prevent electric shock.
5. Please keep the instruction manual for reference.

II. Cut-out Dimensions

$L(L+5mm)*W(W+5mm)*H(H+50mm)$



III. Lamp Structure and Accessories:



Luminaire Top Surface Structure

Authorized by WAC Lighting Corporation, USA, holder of the "WAC" trademark.

China Marketing Headquarters:

WAC Lighting Technology (Shanghai) Co.

Address:

Room 102, No. 14, Lane 299, Bisheng Road, Pilot Free Trade Zone, Shanghai (201204), P.R.C.

China Factory:

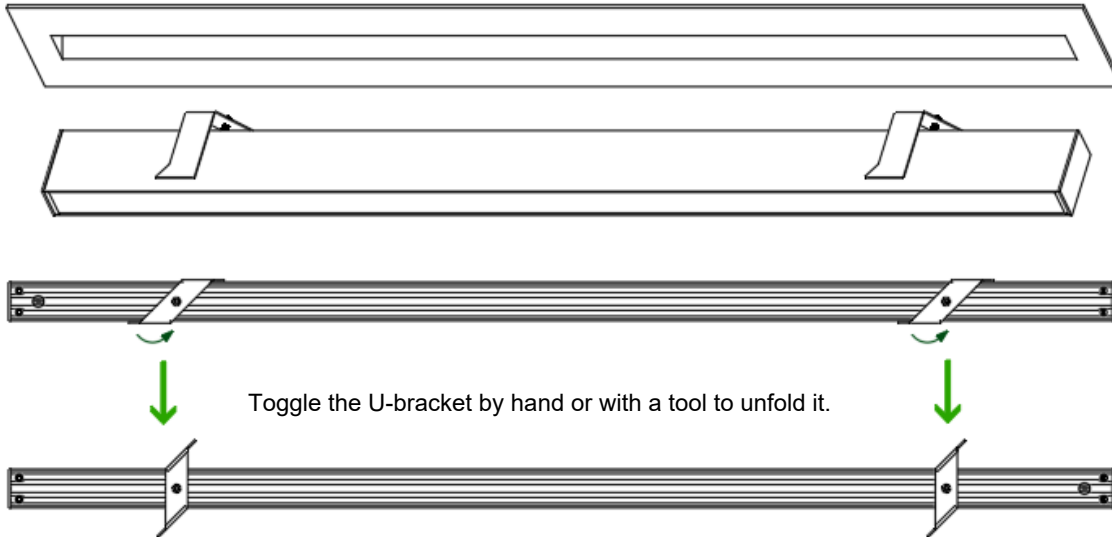
Manufactured WAC Lighting(Dongguan)Co,Ltd

Address:

No. 390, Qingfeng Road, Qingxi Town, Dongguan City, Guangdong Province, 523653, P.R. China

IV. Installation Methods and Procedures:

1. Place the fixture into the ceiling light slot by working with someone to reach into the ceiling opening by hand or with a tool. Toggle the U-bracket to spread it and adjust the fixture to be parallel to the ceiling.



2. Connect the power input wire of the fixture to the power supply, L is the fire wire, N is the zero wire, \oplus is the ground wire, and the input voltage is AC 220V~240V 50/60Hz. Light up the fixture to complete the last step of fixture installation.



Authorized by WAC Lighting Corporation, USA, holder of the "WAC" trademark.

China Marketing Headquarters: WAC Lighting Technology (Shanghai) Co.

Address: Room 102, No. 14, Lane 299, Bisheng Road, Pilot Free Trade Zone, Shanghai (201204), P.R.C.

China Factory: Manufactured WAC Lighting(Dongguan)Co,Ltd

Address: No. 390, Qingfeng Road, Qingxi Town, Dongguan City, Guangdong Province, 523653, P.R. China 2 / 2