

VENTRIX - MODEL: OS2SS

Stealth Silo Luminaires (48V)



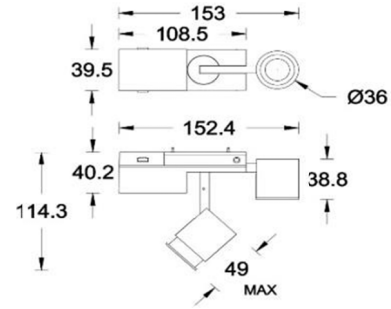
PROJECT:

TYPE:

Product Image



Line Drawing



Product Description

The VENTRIX series of low-voltage rail luminaires are suitable for the WAC VENTRIX rail system, which is flexible and compact, flexible to adjust the illumination angle for precise light control, and can adjust the beam angle to meet different needs. It is widely used in office, commercial and other lighting space places with environmental requirements.

Product Features

- Body Material: Aluminum alloy die-casting
- Optical System: Lens
- Finish: Static electricity powder coating
- Adjustable Angle: Horizontal 0°~360° adjustment; Vertical 0~90° adjustment; Left and right 15~15° adjustment
- Accessories: As attached
- Certification: CQC
- IP Rating: IP20
- Insulation Level: Class III
- Operating Temperature: -20°C~40°C

Product Specifications

- Shielding Angle: /
- LED Type: COB
- Source Lm: 4000K 430LM
- LED Lifetime: >50000h-L70 /B10-Ta25°C(LM-80/TM-21)
- CCT/CRI: 2700K/ 3000K/3500K/4000K, Ra90
- SDCM: 3 SDCM
- Input: 48V DC
- Dimming: ON-OFF/0-10V/ELV/DMX512/wireless and mobile APP control
- Net Weight: 0.21Kg without packing

Order Model

Model	Power(W)	Beam	CCT	CRI	Max Lumens	Max CBCP	Reflector	Finish
OS2SS	1 6.5W	15°-50°	927 2700K	90	430	2320	B Black S Specular	WT White
			930 3000K					BK Black
			935 3500K					
			940 4000K					

Example: OS2SS-1-930BK

VENTRIX - MODEL: OS2SS





Stealth Silo Luminaires (48V)

WAC

PROJECT:

TYPE:

Accessories

Model	Description	Pic
LENS-11-HCM	Honeycomb Louver	
LENS-11P-CRL-WT LENS-11P-CRL-BK	Cross Louver	
LENS-11-SNOOT-BK LENS-11-SNOOT-WT	Snoot	
LENS-S211-HLD-WT LENS-S211-HLD-BK	STRUT	

Note: This retaining ring (LENS-S211-HLD-WT/ LENS-S211-HLD-BK) should be used with other anti-glare accessories.