

LIGNE PRO - MODEL: LLBPX-LD50D

Linear Luminaires

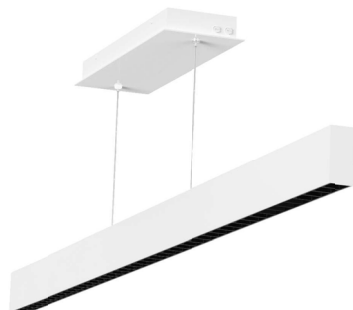
WAC LIGHTING

Responsible Lighting®

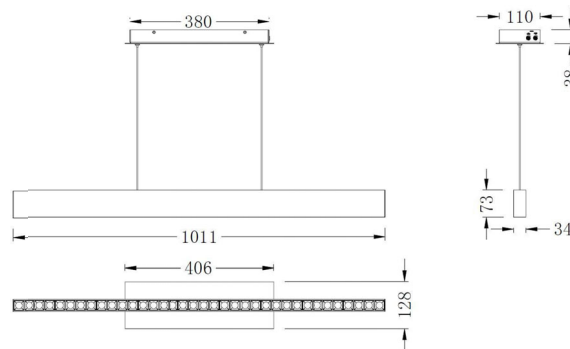
PROJECT:

TYPE:

Product Image



Line Drawing



Product Description

The LIGNE pro pendant light has a large Angle batwing light distribution on the upper light and an anti-glare grille on the lower light. The single light can be dimmed with independent knobs up and down. Suitable for lighting applications in commercial and office meeting places.

Product Features

- Body Material:: Aluminum alloy die-casting
- Optical System : Lens+ SUBBOROSA optical system
- Finish: Static electricity powder coating
- Adjustable Angle: /
- Accessories: /
- Certification: CCC
- IP Rating: IP20
- Insulation Level:: Class II
- Operating Temperature -20°C~40°C

Product Specifications

- Shielding Angle:: /
- LED Type: SMD LED
- Source Lm: 3000K 7680lm; 4000K 8320lm
- LED Lifetime: >50000h-L70 /B10-Ta25°C(LM-80/TM-21)
- CCT/CRI 3000K/ 4000K, Ra90
- SDCM 3 SDCM
- Input: 220V~240V AC / 50Hz
- Dimming: 0-10V; Built-in knob dimming
- Net Weight:: 2.3Kg without packing

Order Model

Model	LED Power	Driver	CCT	Beam	Reflector	Finish
LLBPX Linear pedants B series X Size	LD50 50W	D 0-10V Dimming	30 3000K	6 60°	B Black	WT White
			40 4000K			BK Black

Example: LLBPX-LD50D-306BWT

LIGNE PRO - MODEL: LLBPX-LD50D

Linear Luminaires

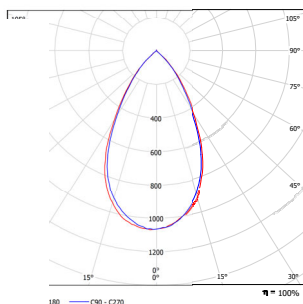
WAC LIGHTING

Responsible Lighting®

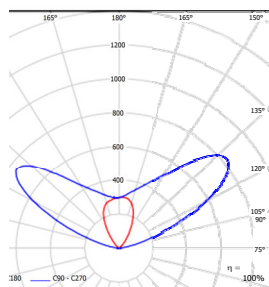
PROJECT:

TYPE:

LIGHT DISTRIBUTION@3000K LUMINAIRE DATA



MODEL: LLBPX-LD50D-306BWT
BEAM ANGLE: 60°
POWER: 30W
LUMENS: 1655 lm
CBCP : 1799 cd
EFFICACY : 55 lm/W



MODEL: LLBPX-LD50D-306BWT
BEAM ANGLE: 130°
POWER: 30 W
LUMENS: 2305 lm
CBCP: 1907 cd
EFFICACY 74 lm/W