

ELANA II - MODEL: DDF31

Recessed Ceiling Luminaires

WAC LIGHTING

Responsible Lighting®

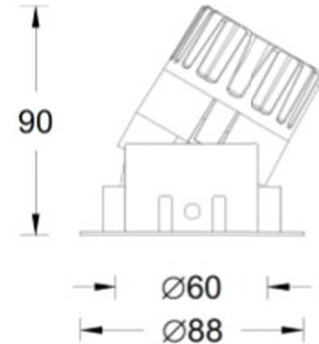
PROJECT:

TYPE:

Product Image



Line Drawing



Product Description

ELANA series downlights, focusing on the field of hotel rooms. Multi-color temperature, multi-angle, multi-faceted frame optional. Lens light distribution is used to ensure accurate light output, and the stepped anti-glare technology is used to bring a comfortable light environment.

Product Features

- Body Material : Aluminum alloy die-casting
- Optical System: Lens+stepped anti-glare optical system
- Finish: Static electricity powder coating
- Adjustable Angle: horizontally 0°~355° and vertically 0°~40°
- Accessories: /
- Certification: CCC
- IP Rating: IP20
- Insulation Level: Class II
- Operating Temperature: -20°C~40°C

Product Specifications

- Cut-out: Ø78
- Ceiling Thickness: 1mm~25mm
- Shielding Angle: 35°
- LED Type: COB
- Source Lm: 800lm/7w 3000k; 1100lm/10w 3000k;
- LED Lifetime: >36000h-L70 /B10-Ta25°C(LM-80/TM-21)
- CCT/CRI: 2700K/ 3000K/4000K, Ra90
- SDCM: 3 SDCM
- Input: 220V~240V AC / 50Hz
- Dimming: On-off / 0-10V
- Net Weight: 0.65Kg without packing

Order Model

Model	Size	Trim	LED	Driver	CCT	Beam	Reflector	Finish
DDF Downlight Directional F series	3 3"	1 Round Trim	LM07	E On-Off	27 2700K	1 18°	B Black	WT White
			COB 7W	D 0-10V	30 3000K	2 24°		
			LM10	Dimming	40 4000K	3 36°		
			COB 10W					

Example: DDF31-LM07E-302BWT

Accessories

/

WAC Lighting

www.waclighting.com (US)

www.waclighting.com.cn (China)

Headquarters

44 Harbor Park Drive • Port Washington, NY

Phone (516) 515.5000 • Fax (516) 515.5050

WAC Lighting(Shanghai)

14,Lane 299, Bi Sheng Road,Shanghai 201204

Phone (86.21) 3393.3558 • Fax (86.21) 3362.1598

ELANA II - MODEL: DDF31

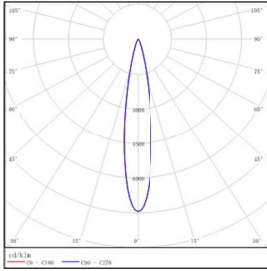
Recessed Ceiling Luminaires

WAC LIGHTING

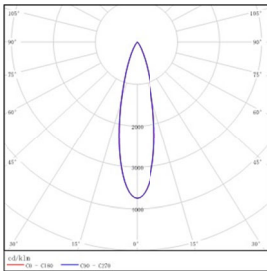
Responsible Lighting®

PROJECT:

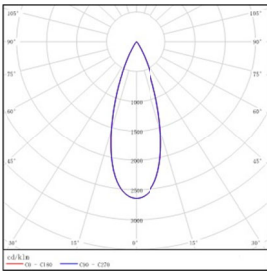
TYPE:



MODEL :	DDF31-LM07E-301BWT	DDF31-LM10E-301BWT
BEAM ANGLE :	18°	18°
POWER :	9 W	11 W
LUMENS :	482 lm	603 lm
CBCP :	3614 cd	4517 cd
EFFICACY :	54 lm/W	58 lm/W



MODEL :	DDF31-LM07E-302BWT	DDF31-LM10E-302BWT
BEAM ANGLE :	24°	24°
POWER :	9 W	11 W
LUMENS :	462 lm	578 lm
CBCP :	1744 cd	2180 cd
EFFICACY :	51 lm/W	56 lm/W



MODEL :	DDF31-LM07E-303BWT	DDF31-LM10E-303BWT
BEAM ANGLE :	36°	36°
POWER :	9 W	11 W
LUMENS :	522 lm	653 lm
CBCP :	1404 cd	1755 cd
EFFICACY :	58 lm/W	63 lm/W

ELANA II - MODEL: DDF35

Recessed Ceiling Luminaires

WAC LIGHTING

Responsible Lighting®

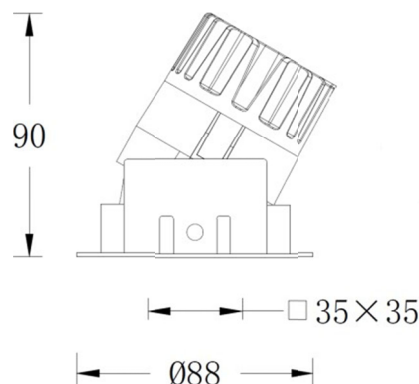
PROJECT:

TYPE:

Product Image



Line Drawing



Product Description

ELANA series downlights, focusing on the field of hotel rooms. Multi-color temperature, multi-angle, multi-faceted frame optional. Lens light distribution is used to ensure accurate light output, and the stepped anti-glare technology is used to bring a comfortable light environment.

Product Features

- Body Material : Aluminum alloy die-casting
- Optical System: Lens+stepped anti-glare optical system
- Finish: Static electricity powder coating
- Adjustable Angle: horizontally 0°~355° and vertically 0°~40°
- Accessories: /
- Certification: CCC
- IP Rating: IP20
- Insulation Level: Class II
- Operating Temperature: -20°C~40°C

Product Specifications

- Cut-out: Ø78
- Ceiling Thickness: 1mm~25mm
- Shielding Angle: 35°
- LED Type: COB
- Source Lm: 800lm/7w 3000k; 1100lm/10w 3000k;
- LED Lifetime: >36000h-L70 /B10-Ta25°C(LM-80/TM-21)
- CCT/CRI: 2700K/ 3000K/4000K, Ra90
- SDCM: 3 SDCM
- Input: 220V~240V AC / 50Hz
- Dimming: On-off / 0-10V
- Net Weight: 0.65Kg without packing

Order Model

Model	Size	Trim	LED	Driver	CCT	Beam	Reflector	Finish
DDF Downlight Directional F series	3 3"	5 Square Trim	LM07	E On-Off	27 2700K	1 15°	B Black	WT White
			COB 7W	D 0-10V	30 3000K	2 24°		
			LM10	Dimming	40 4000K	3 36°		
			COB 10W					

Example: DDF35-LM07E-302BWT

Accessories

/

WAC Lighting

www.waclighting.com (US)
www.waclighting.com.cn (China)

Headquarters

44 Harbor Park Drive • Port Washington, NY
Phone (516) 515.5000 • Fax (516) 515.5050

WAC Lighting(Shanghai)

14,Lane 299, Bi Sheng Road,Shanghai 201204
Phone (86.21) 3393.3558 • Fax (86.21) 3362.1598

ELANA II - MODEL: DDF35

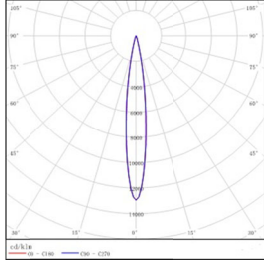
Recessed Ceiling Luminaires

WAC LIGHTING

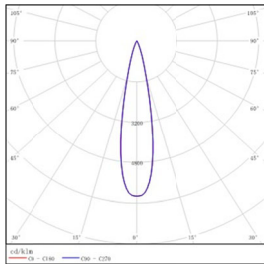
Responsible Lighting®

PROJECT:

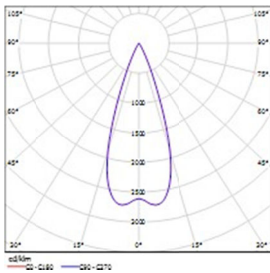
TYPE:



MODEL :	DDF35-LM07E-301BWT	DDF35-LM10E-301BWT
BEAM ANGLE :	15°	15°
POWER :	9 W	11 W
LUMENS :	394 lm	483 lm
CBCP :	5092 cd	6248 cd
EFFICACY :	44 lm/W	44 lm/W



MODEL :	DDF35-LM07E-302BWT	DDF35-LM10E-302BWT
BEAM ANGLE :	24°	24°
POWER :	9 W	11 W
LUMENS :	439 lm	539 lm
CBCP :	2693 cd	3305 cd
EFFICACY :	49 lm/W	49 lm/W



MODEL :	DDF35-LM07E-303BWT	DDF35-LM10E-303BWT
BEAM ANGLE :	36°	36°
POWER :	9 W	11 W
LUMENS :	496 lm	609 lm
CBCP :	1682 cd	2064 cd
EFFICACY :	55 lm/W	55 lm/W

ELANA II - MODEL: DDF3E

Recessed Ceiling Luminaires

WAC LIGHTING
Responsible Lighting®

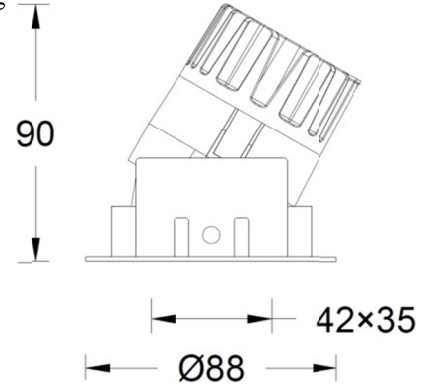
PROJECT:

TYPE:

Product Image



Line Drawing



Product Description

ELANA series downlights, focusing on the field of hotel rooms. Multi-color temperature, multi-angle, multi-faceted frame optional. Lens light distribution is used to ensure accurate light output, and the stepped anti-glare technology is used to bring a comfortable light environment.

Product Features

- Body Material : Aluminum alloy die-casting
- Optical System: Lens+stepped anti-glare optical system
- Finish: Static electricity powder coating
- Adjustable Angle: horizontally 0°~355° and vertically 0°~40°
- Accessories: /
- Certification: CCC
- IP Rating: IP20
- Insulation Level: Class II
- Operating Temperature: -20°C~40°C

Product Specifications

- Cut-out: Ø78
- Ceiling Thickness: 1mm~25mm
- Shielding Angle: 35°
- LED Type: COB
- Source Lm: 800lm/7w 3000k; 1100lm/10w 3000k;
- LED Lifetime: >36000h-L70 /B10-Ta25°C(LM-80/TM-21)
- CCT/CRI: 2700K/ 3000K/4000K, Ra90
- SDCM: 3 SDCM
- Input: 220V~240V AC / 50Hz
- Dimming: On-off / 0-10V
- Net Weight: 0.65Kg without packing

Order Model

Model	Size	Trim	LED	Driver	CCT	Beam	Reflector	Finish
DDF Downlight Directional F series	3 3"	E Oval hole	LM07	E On-Off	27 2700K	1 15°	B Black	WT White
			COB 7W	D 0-10V	30 3000K	2 24°		
			LM10	Dimming	40 4000K	3 36°		
			COB 10W					

Example: DDF3E-LM07E-301BWT

Accessories

/

WAC Lighting
www.waclighting.com (US)
www.waclighting.com.cn (China)

Headquarters
44 Harbor Park Drive • Port Washington, NY
Phone (516) 515.5000 • Fax (516) 515.5050

WAC Lighting Technology (Shanghai) Co, Ltd.
14, Lane 299, Bi Sheng Road, Shanghai 201204
Phone (86.21) 3393.3558 • Fax (86.21) 3362.1598

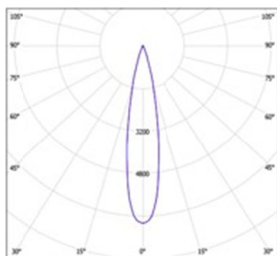
ELANA II - MODEL: DDF3E

Recessed Ceiling Luminaires

WAC LIGHTING
Responsible Lighting®

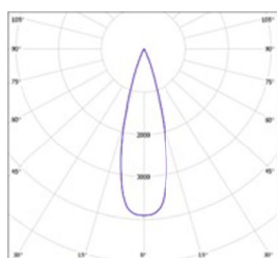
PROJECT:

TYPE:



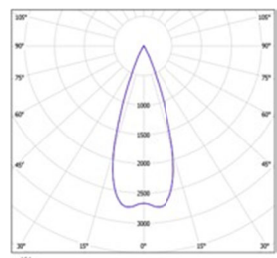
MODEL :	DDF3E-LM07E-301BWT
BEAM ANGLE :	15°
POWER :	9 W
LUMENS :	351 lm
CBCP :	3664 cd
EFFICACY :	39 lm/W

MODEL :	DDF3E-LM10E-301BWT
BEAM ANGLE :	15°
POWER :	11 W
LUMENS :	431 lm
CBCP :	4496 cd
EFFICACY :	39 lm/W



MODEL :	DDF3E-LM07E-302BWT
BEAM ANGLE :	24°
POWER :	9 W
LUMENS :	451 lm
CBCP :	2610 cd
EFFICACY :	50 lm/W

MODEL :	DDF3E-LM10E-302BWT
BEAM ANGLE :	24°
POWER :	11 W
LUMENS :	553 lm
CBCP :	3203 cd
EFFICACY :	50 lm/W



MODEL :	DDF3E-LM07E-303BWT
BEAM ANGLE :	36°
POWER :	9 W
LUMENS :	478 lm
CBCP :	1385 cd
EFFICACY :	53 lm/W

MODEL :	DDF3E-LM10E-303BWT
BEAM ANGLE :	36°
POWER :	11 W
LUMENS :	586 lm
CBCP :	1699 cd
EFFICACY :	53 lm/W

ELANA II - MODEL: DDF3P

Recessed Ceiling Luminaires

WAC LIGHTING

Responsible Lighting®

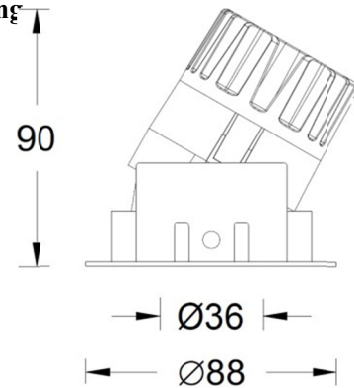
PROJECT:

TYPE:

Product Image



Line Drawing



Product Description

ELANA series downlights, focusing on the field of hotel rooms. Multi-color temperature, multi-angle, multi-faceted frame optional. Lens light distribution is used to ensure accurate light output, and the stepped anti-glare technology is used to bring a comfortable light environment.

Product Features

- Body Material : Aluminum alloy die-casting
- Optical System: Lens+stepped anti-glare optical system
- Finish: Static electricity powder coating
- Adjustable Angle: horizontally 0°~355° and vertically 0°~40°
- Accessories: /
- Certification: CCC
- IP Rating: IP20
- Insulation Level: Class II
- Operating Temperature: -20°C~40°C

Product Specifications

- Cut-out: Ø78
- Ceiling Thickness: 1mm~25mm
- Shielding Angle: 35°
- LED Type: COB
- Source Lm: 800lm/7w 3000k; 1100lm/10w 3000k;
- LED Lifetime: >36000h-L70 /B10-Ta25°C(LM-80/TM-21)
- CCT/CRI: 2700K/ 3000K/4000K, Ra90
- SDCM: 3 SDCM
- Input: 220V~240V AC / 50Hz
- Dimming: On-off / 0-10V

- Net Weight: 0.65Kg without packing

Order Model

Model	Size	Trim	LED	Driver	CCT	Beam	Reflector	Finish
DDF Downlight	3 3"	P Pin hole	LM07 COB 7W	E On-Off D 0-10V	27 2700K 30 3000K	1 15° 2 24°	B Black	WT White
Directional F series			LM10 COB 10W	Dimming	40 4000K	3 36°		

Example: DDF3P-LM0 E-302BWT

Accessory

/

WAC Lighting
www.waclighting.com (US)
www.waclighting.com.cn (China)

Headquarters
44 Harbor Park Drive • Port Washington, NY
Phone (516) 515.5000 • Fax (516) 515.5050

WAC Lighting Technology (Shanghai) Co, Ltd.
14, Lane 299, Bi Sheng Road, Shanghai 201204
Phone (86.21) 3393.3558 • Fax (86.21) 3362.1598

ELANA II - MODEL: DDF3P

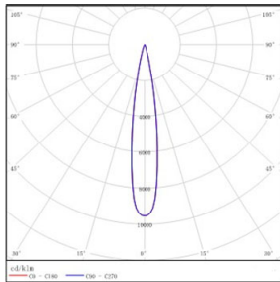
Recessed Ceiling Luminaires

WAC LIGHTING

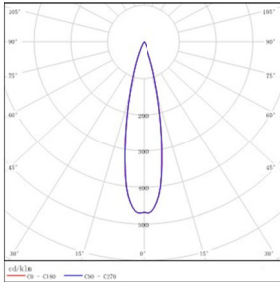
Responsible Lighting®

PROJECT:

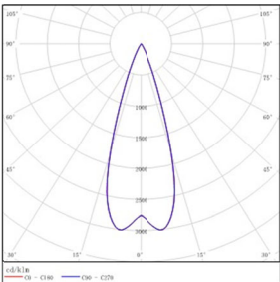
TYPE:



MODEL :	DDF3P-LM07E-301BWT	DDF3P-LM10E-301BWT
BEAM ANGLE :	15°	15°
POWER :	9 W	11 W
LUMENS :	310 lm	387 lm
CBCP :	2954 cd	3692 cd
EFFICACY :	34 lm/W	37 lm/W



MODEL :	DDF3P-LM07E-302BWT	DDF3P-LM10E-302BWT
BEAM ANGLE :	24°	24°
POWER :	9 W	11 W
LUMENS :	351 lm	439 lm
CBCP :	1654 cd	2057 cd
EFFICACY :	39 lm/W	43 lm/W



MODEL :	DDF3P-LM07E-303BWT	DDF3P-LM10E-303BWT
BEAM ANGLE :	36°	36°
POWER :	9 W	11 W
LUMENS :	401 lm	502 lm
CBCP :	1107 cd	1384 cd
EFFICACY :	45 lm/W	49 lm/W