

GRAZE II - MODEL: ELS2

Linear Luminaires

WAC LIGHTING

Responsible Lighting®

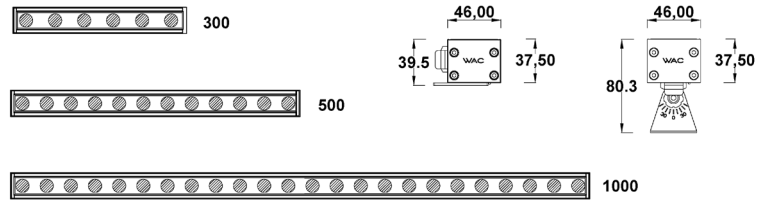
PROJECT :

TYPE:

Product Image



Line Drawing



Product Description

The Beacon Graze II series lamps are equipped with high-quality chips with strong light efficiency and long lifespan, as well as lenses with unique optical performance. Combined with equidistant layout design, they ensure uniform light output. Symmetric and asymmetric light distribution options are available, with no scattered light spots on both sides of the lamp. LEDs are evenly spaced, and the splicing of the lamp is without dark areas. IP66 waterproof grade and DMX512 dimming control, the Size series lamps come out from the bottom, and the specially configured Gore breathing valve can effectively balance the internal and external air pressure to prevent condensation, meeting the requirements of LEED outdoor lighting power consumption design. It can be applied to occasions such as washing and wiping walls on building facades.

Product Features

- Body Material: Al extruded, al alloy die-casting
- Optical System: Lens
- Finish: Electrostatic powder coating
- Adjustable Angle: /
- Accessories/brackets: Rotating bracket, angle adjustment range +/- 70 °
- Certification: CQC
- IP Rating: IP66
- Insulation Level: Class III
- Operating Temperature: -20°C~50°C

Product Specifications

- LED TYPE: High Power
- Source power : 52.8W (Max) /1000mm
- Source Lm: 2700K 3564lm ; 3000K 3864lm ; 4000K 4104lm
- LED Lifetime: >50000h-L70 /B10-Ta25°C(LM-80/TM-21)
- CCT/CRI: 2700K /3000K /4000K ,Ra90 /RGBW /TUNNABLE WHITE
- SDCM: 3 SDCM (MONO), 5 SDCM (RGBW)
- Input: 24V DC
- Dimming: ON-OFF or DMX512 dimming control
- Net Weight: 2.6Kg without packing

Order Model

Model	Length (mm)	Power (W)	LEDs (quantity)	Max Lumens (lm)	Control Systems	Beam	Power Feed Type	CCT	Finish
ELS203-14	300	14(Max)	6	949	ET ON-OFF	V 5° S 9° 1 17°	B Bottom S Side	27 2700K 30 3000K 40 4000K	BK Black
ELS205-28	500	28(Max)	12	1898	EC Max 700mA Drive MT DMX512 Dimming	2 22° 3 33°			
ELS210-56	1000	56(Max)	24	3795	24V DC Power Supply	5 51° E 9° x15° G 15° x43°			

Example : ELS210-56ET-SB30BK

GRAZE II - MODEL: ELS2

Linear Luminaires

WAC LIGHTING

Responsible Lighting®






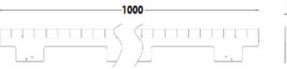

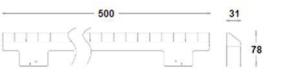


PROJECT :

TYPE:

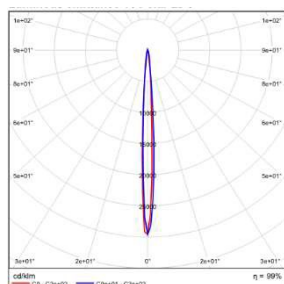
Model	Length (mm)	Power (W)	LEDs (quantity)	Max Lumens (lm)	Control Systems	Beam	Power Feed Type	CCT	Finish
ELS203-14	300	14(Max)	6	515	MT DMX512 Dimming 24V/DC Power Supply	1 19°	B Bottom S Side	F3 RGBW W=3000K	BK Black
ELS205-28	500	28(Max)	12	1030		2 26°		F4 RGBW W=4000K	
ELS210-56	1000	56(Max)	24	2061		3 39° 4 49° F 20x45°		F6 RGBW W=5700K	

Example : ELS210-56MT-EBFCBK

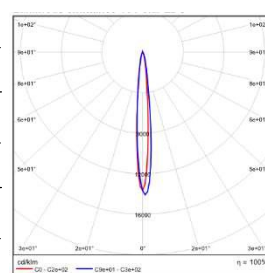
Accessory

Item	Description	Pic	Mounting	Quantity Suggested
ELC3-SC-CT002F	Female signal connector			1 pc per 32m
ELC3-SC-CT002M	Male signal connector			1 pc per 32m
ELS2-GB100-BK	1000mm Frame			
ELS2-GB050-BK	500mm Frame			
ELS2-GB030-BK	300mm Frame			

LIGHT DISTRIBUTION@3000K LUMINAIRE DATA



MODEL : ELS210-56ET-VB30BK
BEAM ANGLE : 5°
POWER : 56W/1000mm
LUMENS : 3791lm
CBCP : /
EFFICACY : 70.85lm/W



MODEL : ELS210-56ET-SB30BK
BEAM ANGLE : 9°
POWER : 56W/1000mm
LUMENS : 3863lm
CBCP : /
EFFICACY : 72.85lm/W

WAC Lighting
www.waclighting.com (US)
www.waclighting.com.cn (China)

Headquarters
 44 Harbor Park Drive • Port Washington, NY
 Phone (516) 515.5000 • Fax (516) 515.5050

WAC Lighting Technology (Shanghai) Co., Ltd
 14, Lane 299, Bi Sheng Road, Shanghai 201204
 Phone (86.21) 3393.3558 • Fax (86.21) 3362.1598

GRAZE II - MODEL: ELS2

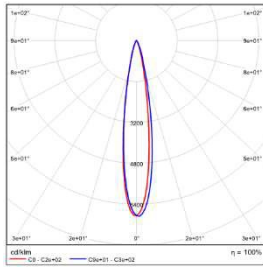
Linear Luminaires

WAC LIGHTING

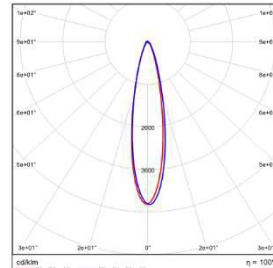
Responsible Lighting®

PROJECT :

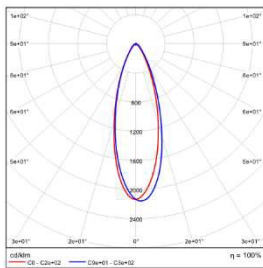
TYPE:



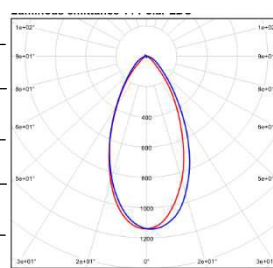
MODEL : ELS210-56ET-1B30BK
BEAM ANGLE : 17°
POWER : 56W/1000mm
LUMENS : 3837lm
CBCP : /
EFFICACY : 72.7lm/W



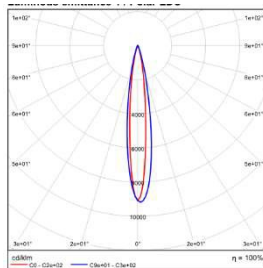
MODEL : ELS210-56ET-2B30BK
BEAM ANGLE : 22°
POWER : 56W/1000mm
LUMENS : 3464lm
CBCP : /
EFFICACY : 65.6lm/W



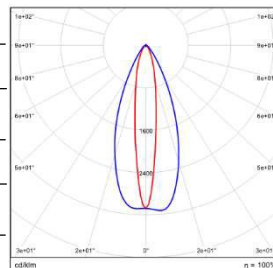
MODEL : ELS210-56ET-3B30BK
BEAM ANGLE : 33°
POWER : 56W/1000mm
LUMENS : 3628lm
CBCP : /
EFFICACY : 68.6lm/W



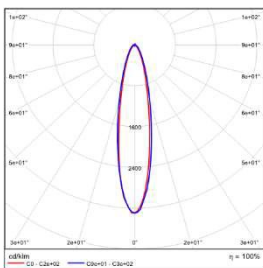
MODEL : ELS210-56ET-5B30BK
BEAM ANGLE : 51°
POWER : 56W/1000mm
LUMENS : 3176lm
CBCP : /
EFFICACY : 59.7lm/W



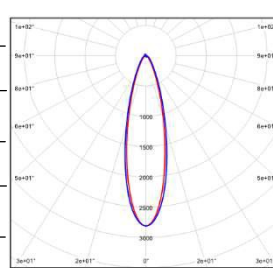
MODEL : ELS210-56ET-EB30BK
BEAM ANGLE : 9°x15°
POWER : 56W/1000mm
LUMENS : 3939lm
CBCP : /
EFFICACY : 74.4lm/W



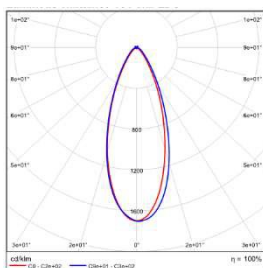
MODEL : ELS210-56ET-GB30BK
BEAM ANGLE : 15°x43°
POWER : 56W/1000mm
LUMENS : 3409lm
CBCP : /
EFFICACY : 64.4lm/W



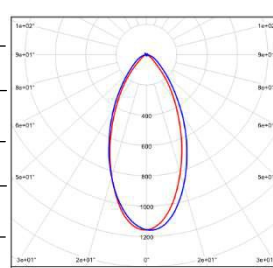
MODEL : ELS210-56MT-1BF3BK
BEAM ANGLE : 19°
POWER : 56W/1000mm
LUMENS : 1914lm
CBCP : /
EFFICACY : 33.3lm/W



MODEL : ELS210-56MT-2BF3BK
BEAM ANGLE : 26°
POWER : 56W/1000mm
LUMENS : 1983lm
CBCP : /
EFFICACY : 34.5lm/W



MODEL : ELS210-56MT-3BF3BK
BEAM ANGLE : 39°
POWER : 56W/1000mm
LUMENS : 2061lm
CBCP : /
EFFICACY : 35.9lm/W



MODEL : ELS210-56MT-4BF3BK
BEAM ANGLE : 49°
POWER : 56W/1000mm
LUMENS : 1820lm
CBCP : /
EFFICACY : 31.7lm/W

GRAZE II - MODEL: ELS2

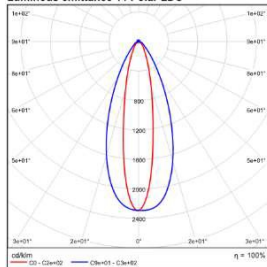
Linear Luminaires

WAC LIGHTING

Responsible Lighting®

PROJECT :

TYPE:



MODEL :	ELS210-56MT-FBF3BK
BEAM ANGLE :	20°X45°
POWER :	56W/1000mm
LUMENS :	1902lm
CBCP :	/
EFFICACY :	33.1lm/W