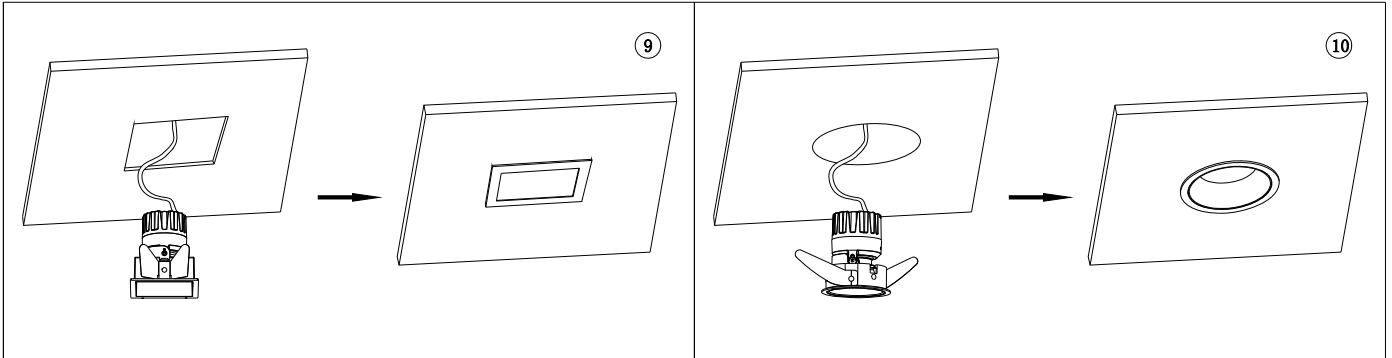
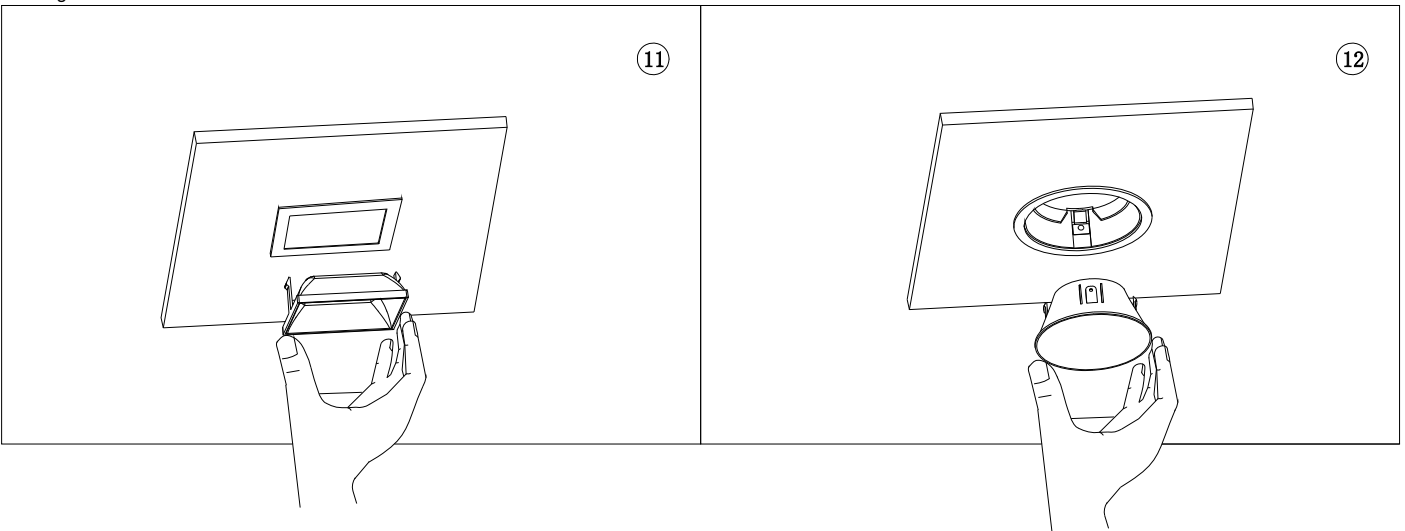


4. Please push the luminaires into the ceiling opening until the panel of the luminaires is leveled with the surface of the ceiling, as shown in Fig. ⑧ ⑨ ⑩.



Reflector Installation and Fixture Adjustment:

1. After aligning the reflector of square luminaire (including square double head) and round luminaire to the snap position, snap the clips of the luminaire tightly, see Fig. 1 & 12.



2. The luminaires can be adjusted horizontally by 360 ° and vertically by 0-21 °. Please adjust the angle before installing the reflector.

- (1). Horizontal angle adjustment is made by rotating the frame located above the light outlet of the luminaires;
- (2). After adjusting the horizontal direction, use the index finger to adjust the angle on the lamp body, which can realize 0-21° angle adjustment;
- (3). After adjusting the angle, click the reflector into place. Please check the direction of the reflector when installing.

Authorized by WAC Lighting Corporation, USA, holder of the "WAC" trademark.

China Marketing Headquarters: WAC Lighting Technology (Shanghai) Co.

Address: Room 102, No. 14, Lane 299, Bisheng Road, Pilot Free Trade Zone, Shanghai (201204), P.R.C.

China Factory: Manufactured WAC Lighting(Dongguan)Co,Ltd

Address: No. 390, Qingfeng Road, Qingxi Town, Dongguan City, Guangdong Province, 523653, P.R. China

Product Type

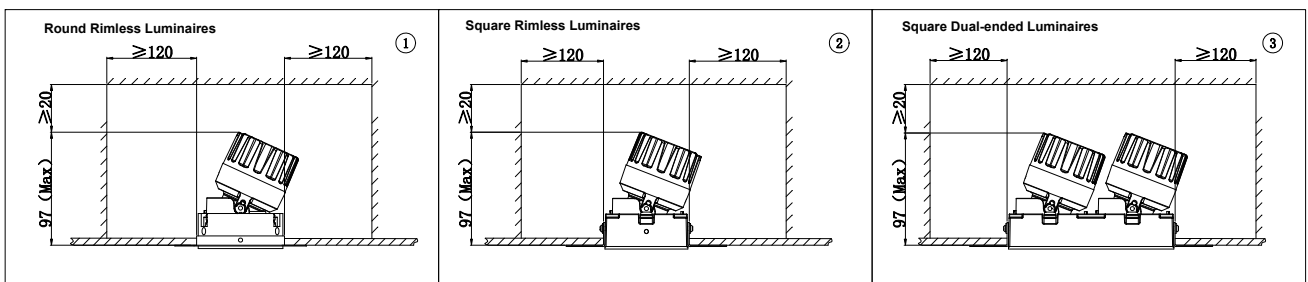
This instruction applies to ELANA PRO Narrow Recessed Light Series, models include DLH32* (round without edge), DLH36* (square without edge), MTH36* (square double without edge), etc. The "*" includes different wattage, different control system, different color temperature, different face frame, different appearance color.

Installation Precaution

1. Please read the instructions carefully before installation;
2. Please have it installed by a professional electrician;
3. To avoid the risk of electric shock, please make sure the power is off before installation and maintenance;
4. Please allow enough space for the fixture to be embedded in the ceiling surface. Do not cover insulation and combustible materials above the luminaires to prevent causing a fire;
5. Please do not install the luminaire on unstable skylight to avoid falling of the luminaire;
6. Please keep the instruction manual for future reference;

Fixture Installation:

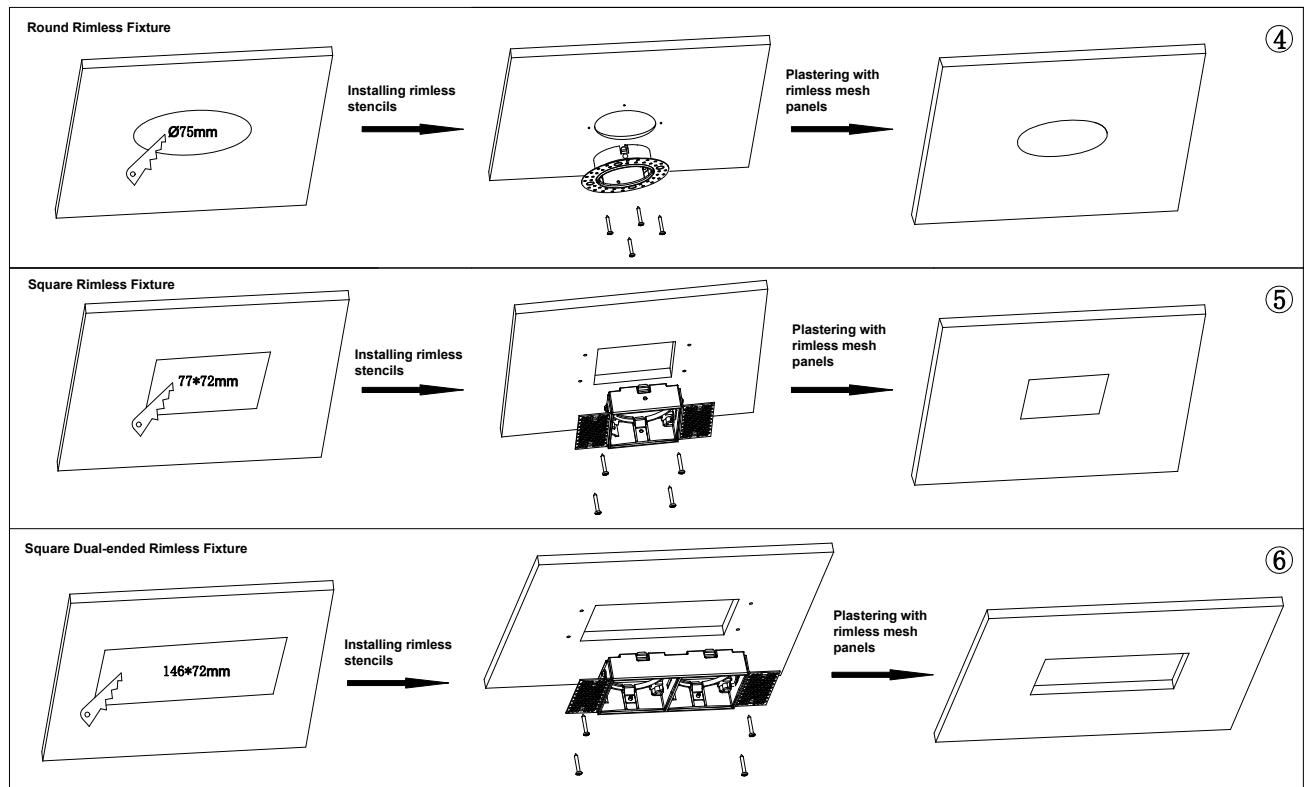
1. Confirm that there is enough space on the ceiling to install the luminaires. The round luminaires are shown in Fig. ①, the square luminaires are shown in Fig. ②, and the square dual-ended luminaires are shown in Fig. ③ (unit: mm).



2. For the round luminaires, dig $\varnothing 75\text{mm}$ round holes on the ceiling. Drill 4 plastic nylon anchors into the ceiling, lock the mesh panel assembly to the ceiling with self-tapping screws, and wipe the mesh panel with lime, as shown in Fig. 4.

The square luminaires are installed by digging $77 \times 72\text{mm}$ square holes on the ceiling, the same way for the rimless mesh panel, as shown in Fig. 5.

The square double-head luminaires dig $146 \times 72\text{mm}$ square holes on the ceiling, and install the edgeless mesh panel in the same way, as shown in Fig. ⑥.



Authorized by WAC Lighting Corporation, USA, holder of the "WAC" trademark.

China Marketing Headquarters:

WAC Lighting Technology (Shanghai) Co.

Address:

Room 102, No. 14, Lane 299, Bisheng Road, Pilot Free Trade Zone, Shanghai (201204), P.R.C.

China Factory:

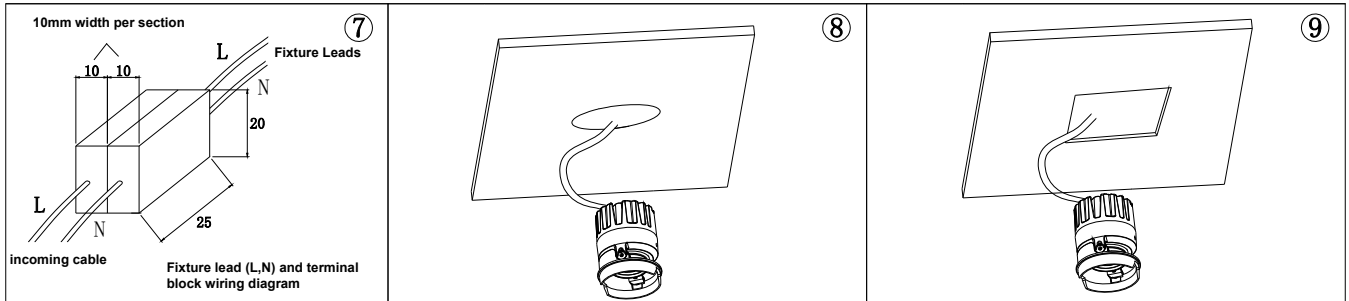
Manufactured WAC Lighting(Dongguan)Co.,Ltd

Address:

No. 390, Qingfeng Road, Qingxi Town, Dongguan City, Guangdong Province, 523653, P.R. China

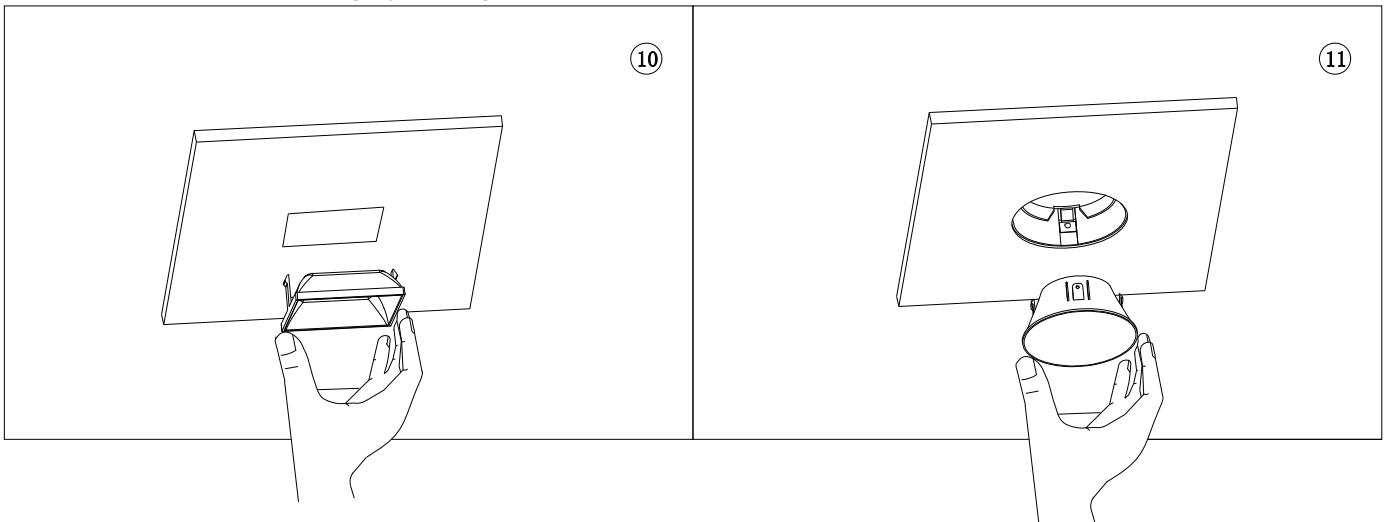
3. Installation of luminaires with electrical appliances: If the luminaires come with a lead, this connecting lead needs to be connected with an independent terminal block (refer to Figure ⑦ schematic wiring). The size of each terminal block should not be less than 10x20x25mm. After connecting the driver to the power supply, put the wires and driver into the ceiling until the lamp body is pre-embedded on the frame of the shrapnel card tight. See Fig. 8 for round shapes and Fig. 9 for square luminaire (including square double head);

Installation of luminaires without electrical appliances: Luminaires with brown and blue lead wires may not be directly connected to 220V AC power. Customer's self-supplied electrical appliances need to be matched to the light source.



Reflector Installation and Fixture Adjustment:

1. After aligning the reflector of square luminaire (including square double head) and round luminaire to the snap position, snap the clips of the luminaire tightly, see Fig.10 & 11.



2. The luminaires can be adjusted horizontally by 360 ° and vertically by 0-21 °. Please adjust the angle before installing the reflector.

- (1). Horizontal angle adjustment is made by rotating the frame located above the light outlet of the luminaires;
- (2). After adjusting the horizontal direction, use the index finger to adjust the angle on the lamp body, which can realize 0-21° angle adjustment;
- (3). After adjusting the angle, click the reflector into place. Please check the direction of the reflector when installing.

Authorized by WAC Lighting Corporation, USA, holder of the "WAC" trademark.

China Marketing Headquarters: WAC Lighting Technology (Shanghai) Co.

Address: Room 102, No. 14, Lane 299, Bisheng Road, Pilot Free Trade Zone, Shanghai (201204), P.R.C.

China Factory: Manufactured WAC Lighting(Dongguan)Co,Ltd

Address: No. 390, Qingfeng Road, Qingxi Town, Dongguan City, Guangdong Province, 523653, P.R. China