

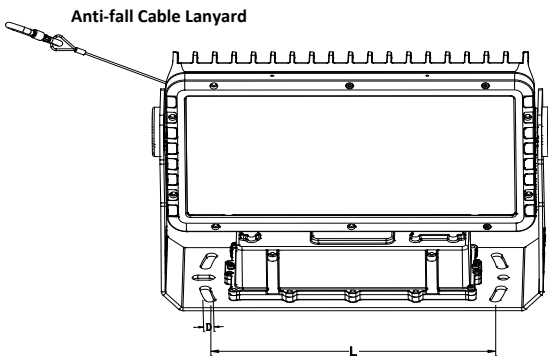
Installation Precaution:

1. Please read the instructions carefully before installation;
2. Please have it installed by a professional electrician;
3. To avoid the risk of electric shock, please make sure the power is off before installation and maintenance;
4. The installation of luminaires needs to follow the corresponding local laws and regulations;
5. Applicable to indoor and outdoor installation use;
6. Please keep the manual for reference.

Note: All installation and replacement maintenance should be disconnected from the power supply before operation! The fixture is of high power, please do not sight it directly.

Fixture Installation

1. Install the luminaires through the mounting holes as shown in the illustration with suitable expansion bolts (according to the size of the screw holes on the bracket).
2. Luminaire should be installed with at least four screws as its heavy weight. Please install the fall arrest cable (safety rope) in a suitable place (it should be firm and reliable) to prevent the accidental fall of the luminaires.

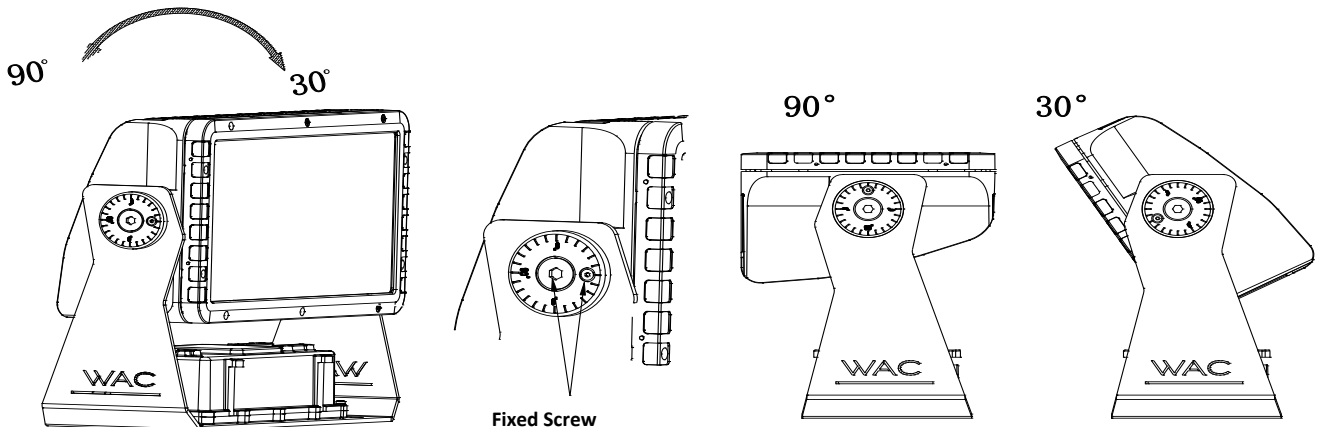


Fixture Model	Bracket Hole Diameter (D)	Bracket Hole Distance (L)	Suggested Mounting Screws
EF4TI*	11mm	293mm	4 pcs M5
EP4NI*	13mm	371mm	4 pcs M6
EP4SI*	13mm	466mm	6 pcs M6
EP4MI*	13mm	420mm	6 pcs M6
EP4LI*	13mm	470mm	6 pcs M6

Angle Adjustment of Luminaires Illumination

a: Single-head version of the illumination angle adjustment of the luminaires;

Loosen the fixed screw with a hexagonal wrench and rotate the luminaires by hand to the needed angle (30 degrees in front of the vertical direction, 90 degrees backward adjustable). After the angle is determined, please tighten the fixed screw again to lock the angle.



Authorized by WAC Lighting Corporation, USA, holder of the "WAC" trademark.

China Marketing Headquarters: WAC Lighting Technology (Shanghai) Co.

Address: Room 102, No. 14, Lane 299, Bisheng Road, Pilot Free Trade Zone, Shanghai (201204), P.R.C.

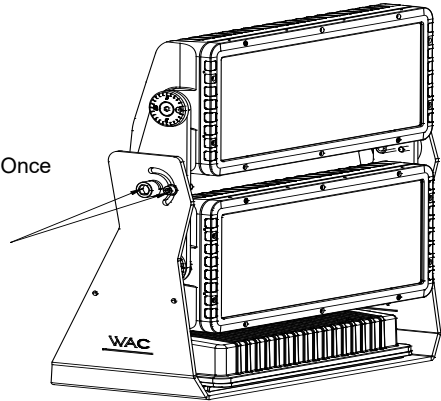
China Factory: Manufactured WAC Lighting(Dongguan)Co.,Ltd

Address: No. 390, Qingfeng Road, Qingxi Town, Dongguan City, Guangdong Province, 523653, P.R. China

b: Double-head Version Adjustment

Loosen the fixed screw with a hexagonal wrench and turn the luminaires by hand to the preferred angle (30 degrees vertically, 90 degrees vertically and 90 degrees vertically). Once the angle has been determined, tighten the fixed screws again to lock the angle.

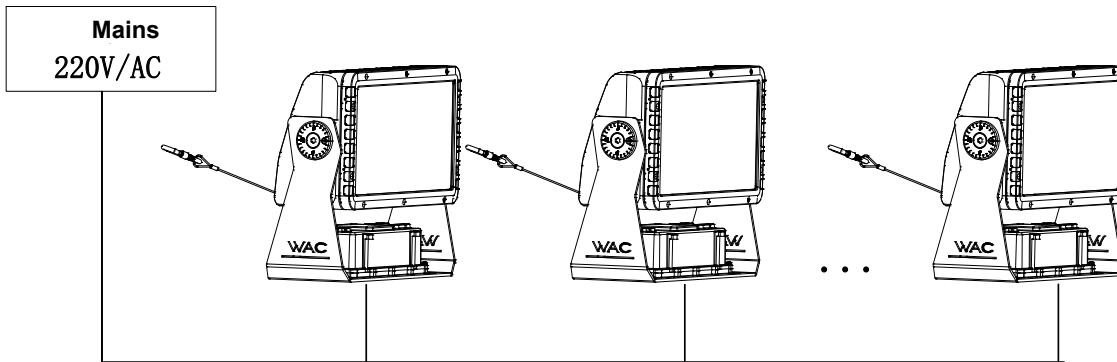
Fixed Screw



Wiring and Control Adjustment

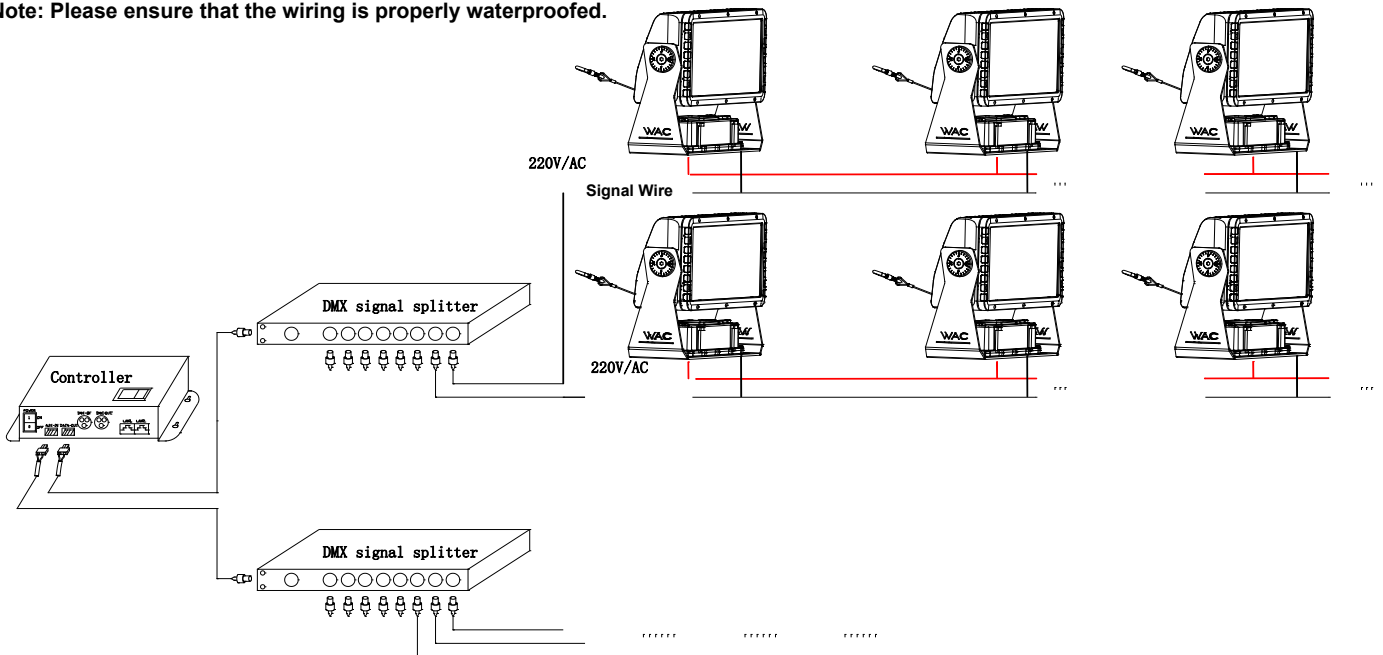
3. Power input is: AC220V. Non-dimming version of the wiring diagram. The labeling of the power input line: Fire L, Zero N, Ground ⊥

Note: Please ensure that the wiring is properly waterproofed.



4. Dimming Version of the Wiring Diagram: Connect one end of the power input line to the utility line, then connect the dimmer line to the dimmer controller.

Note: Please ensure that the wiring is properly waterproofed.



Authorized by WAC Lighting Corporation, USA, holder of the "WAC" trademark.

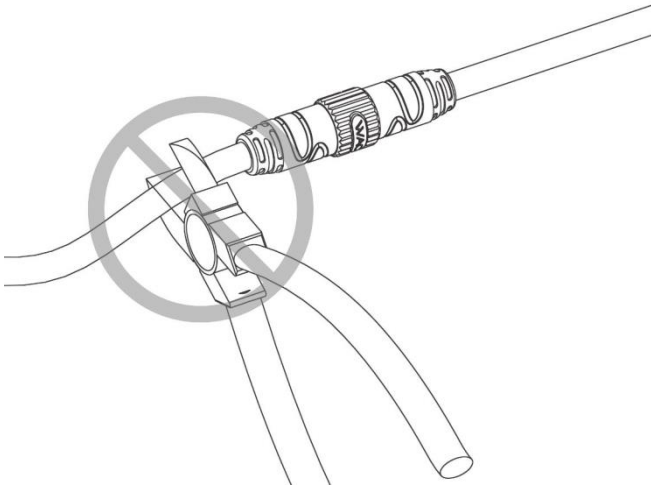
China Marketing Headquarters: WAC Lighting Technology (Shanghai) Co.

Address: Room 102, No. 14, Lane 299, Bisheng Road, Pilot Free Trade Zone, Shanghai (201204), P.R.C.

China Factory: Manufactured WAC Lighting(Dongguan)Co.,Ltd

Address: No. 390, Qingfeng Road, Qingxi Town, Dongguan City, Guangdong Province, 523653, P.R. China

5. Power Cord Connector Handling: Anti-siphon connector is part of the waterproof reliability of the luminaires and cannot be cut out for wiring.

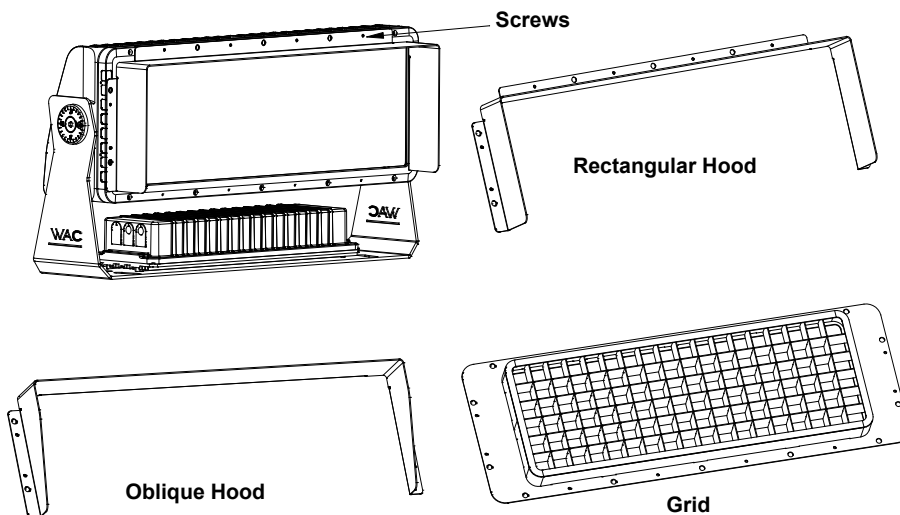


Attentions:


- a: The power input cable and wire connector to each luminaire need to be waterproofed;
- b: Luminaires can be connected together with signal cables. It is recommended that no more than 10 fixtures be carried in each DMX signal amplifier;
- c: The Power Input Cord and Signal Input Cord anti-siphon connectors are part of the waterproof reliability of the fixtures and must not be cut out for wiring.

Optical Accessory Mounting

6. Please install the optical accessory to the lamp body with screws. Optical fittings are applied according to the requirements of the site. Customers are expected to purchase their own accessories.



Cautions:

- 1. The cable is not supplied, and a waterproof 3-core cable is required. The diameter of the cable line is $\phi 5-\phi 9\text{mm}$ (marking on the connector: fire line L, zero line N, ground); 
- 2. The glass shield found to be damaged during installation must be replaced;
- 3. Please take good waterproof treatment at the wiring of the luminaires to prevent water ingress;
- 4. The luminaires are heavy and the mounting surface should be firm and reliable.

Authorized by WAC Lighting Corporation, USA, holder of the "WAC" trademark.

China Marketing Headquarters: WAC Lighting Technology (Shanghai) Co.
Address: Room 102, No. 14, Lane 299, Bisheng Road, Pilot Free Trade Zone, Shanghai (201204), P.R.C.
China Factory: Manufactured WAC Lighting(Dongguan)Co,Ltd
Address: No. 390, Qingfeng Road, Qingxi Town, Dongguan City, Guangdong Province, 523653, P.R. China