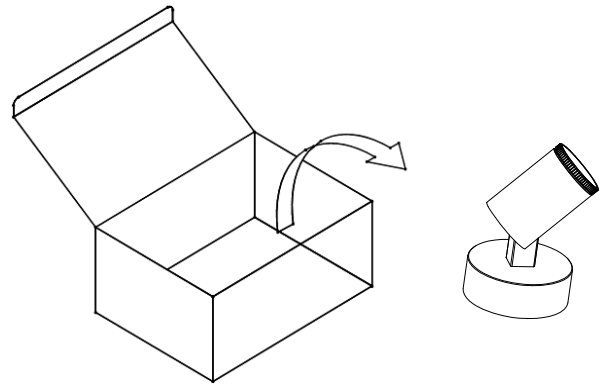


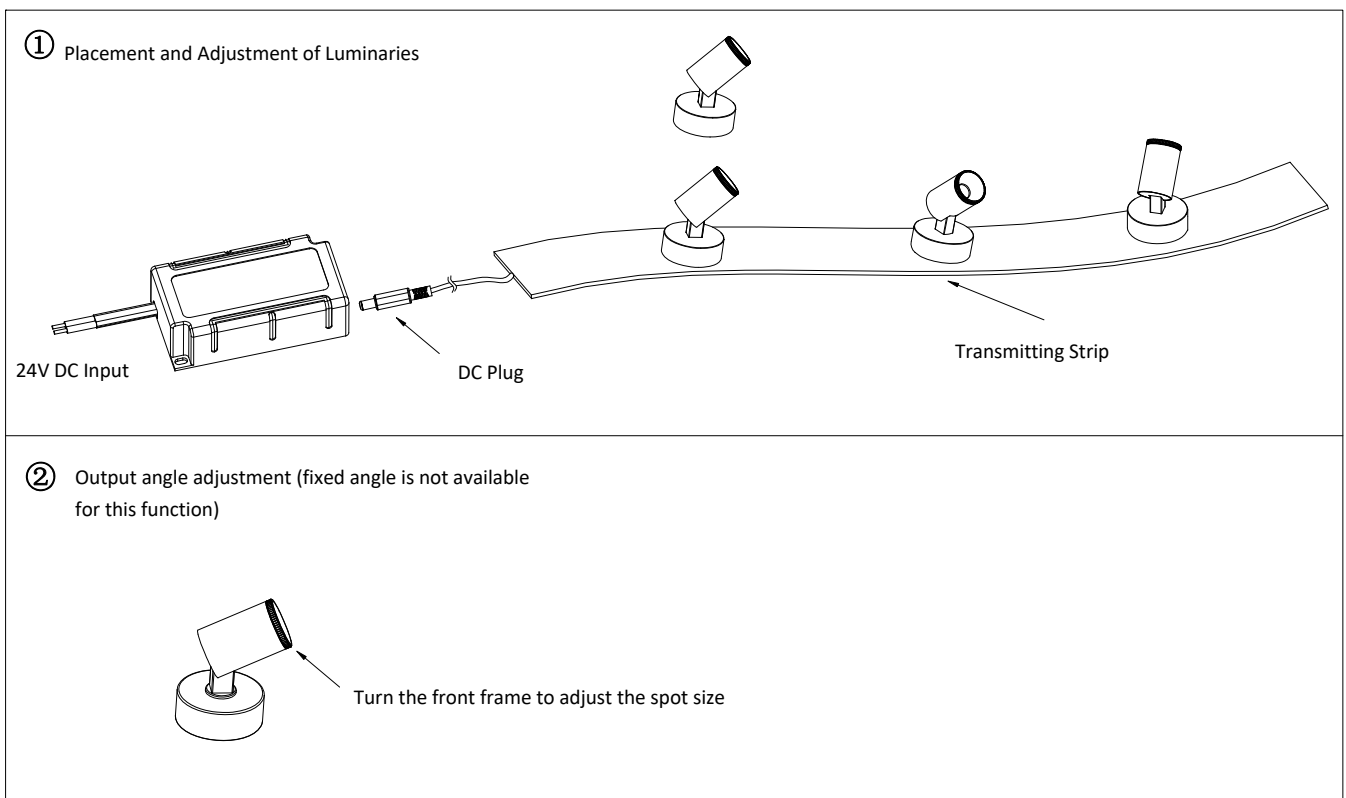
### Installation Precaution

1. Please read the instructions carefully before installation and operate in accordance with the contents of the instructions.
2. Please be installed by a qualified electrician and confirm the power is turned off before installation or maintenance.
3. Applicable for indoor installation (not to be used in humid environment).
4. The system consists of a transmitter strip and a showcase sensor fixture.
5. The fixture is only compatible with WAC wireless power supply devices (transmitter belt).
6. The light source of this fixture is non-replaceable. If replacement is required, (e.g. when the light source reaches exhaustion) the entire fixture should be replaced.
7. Please keep this manual handy for future reference.



### Installation and Adjustment:

1. This fixture is only compatible with the WAC transmitter strip (to be ordered separately);
2. The fixture can be placed randomly on the transmitter strip (up to 4 fixtures).



Authorized by WAC Lighting Corporation, USA, holder of the "WAC" trademark.

China Marketing Headquarters: WAC Lighting Technology (Shanghai) Co.  
Address: Room 102, No. 14, Lane 299, Bisheng Road, Pilot Free Trade Zone, Shanghai (201204), P.R.C.  
China Factory: Manufactured WAC Lighting(Dongguan)Co,Ltd  
Address: No. 390, Qingfeng Road, Qingxi Town, Dongguan City, Guangdong Province, 523653, P.R. China