

ZIGGY WIRELESS SHOWCASE

Surface Mounted Luminaires _Model: ME19F

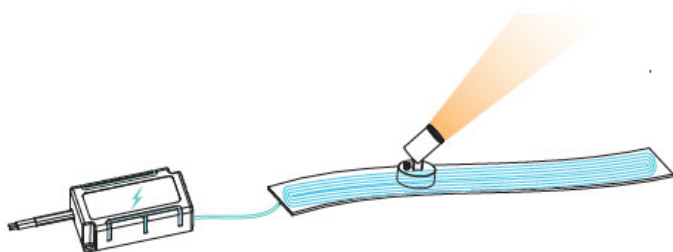
WAC LIGHTING

Responsible Lighting®

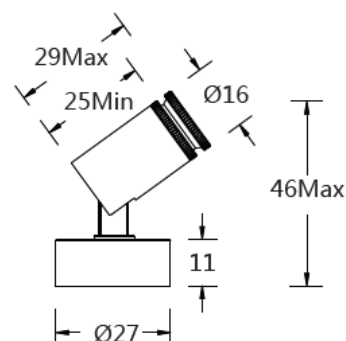
Project:

Type:

Product Image



Line Drawing



Product Description

ZIGGY series is a newly developed wireless powered showcase lighting. The design of the ZIGGY series is simple and compact. The system consists of a "transmitter strip" and a "showcase sensors fixture". The maximum distance between the transmitter strip and the fixture is 10 mm and cannot be separated by metal or conductive material. It is recommended to have 3 or less fixtures per transmitter strip. This product can be used particularly in museum and art gallery showcases.

Product Features

- **Body Material:** The transmitter belt is made of metal coil wrapped with a belt (thickness 3.2mm); the fixture is made of pure aluminum alloy for the body + plastic receiver base.
- **Optical System:** Focusing Lens
- **Finish:** Electrostatic Powder Coating, Black (BK), White (WT)
- **Projection Direction:** Vertical 0~90° adjustable, horizontal non-adjustable
- **Accessories/Stand:**
- **IP Rating:** IP20
- **Insulation Level:** Class III
- **Operating Temperature:** -20°C~40°C

Product Specifications

- **LED Type:** High-Power LED
- **Luminaire Power:** 1W
- **LED Lifetime:** >30000h-L70 / B10-Ta25°C(LM-80/TM-21)
- **CCT/CRI:** 3000K/4000K, Ra90 or Ra97 (≥95) available
- **Input:** 24VDC
- **Dimming:** No dimming (different installation position may change the brightness), knob dimming (optional)

Fixture Order Model

Model	LED	Dimming	Beam	CRI	CCT	Finish
ME19F ZIGGY	LD01 1W	E No-dimming	F 8-40°	9 Ra90	30 3000K	BK Black
				A Ra97	40 4000K	
ME19F	LD01	E	F	9	30	BK

Example: ME19FLD01-E-F930BK

Transmitter Tape Order Model

Model	Length	Finish
ME19F ZIGGY	420 420*53*3.2, mm (L*W*H)	BK Black
	840 840*53*3.2, mm (L*W*H)	
ME19F	420	BK

Example: ME19F-420BK

Note: Fixture and transmitter tape need to be ordered separately. A wire length of 500mm is required between the transmitter strip and the connected electrical appliance, and it must be connected through a quick-connect connector (the required hole is Φ10mm). Customized dimensions of transmitter tape can be ordered according to site specifications.

WAC Lighting
www.waclighting.com (US)
www.waclighting.com.cn (China)

Headquarters
44 Harbor Park Drive • Port Washington, NY
Phone (516) 515.5000 • Fax (516) 515.5050

WAC Lighting(Shanghai)
14,Lane 299, Bi Sheng Road,Shanghai 201204
Phone (86.21) 3393.3558 • Fax (86.21) 3362.1598

WAC Lighting reserves the right to periodically design and update products. 2024-08-28