

# LEDME II - MODEL: SLIR4FLD

## Recessed Showcase Lighting



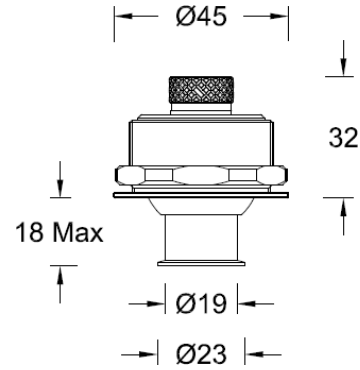
PROJECT:

TYPE:

Product Image



Line Drawing



### Product Description

LEDme II series display case light products are simple and compact in appearance, using WAC's leading SUBROSA anti-glare technology, with accurate adjustable focus light distribution design, providing a positive telescopic focusing structure. It can be very convenient to adjust the spot according to the characteristics of the exhibition to meet the needs of different exhibitions, and is suitable for museum display cases and high-end art exhibitions.

### Product Features

- Body Material: Aluminum alloy die-casting
- Optical System: Lens+ SUBOROSA optical system
- Surface Finishing: Liquid baking paint
- Adjustable Angle: Horizontal: 0-360° tilt, Vertical: -30~30° tilt
- Accessories: Extension cable is optional
- Certification: CQC
- IP Rating: IP20
- Insulation Level: Class III
- Operating Temperature: -20°C~40°C

### Product Specifications

- Cut-out: Ø39mm
- Ceiling: 1~13mm
- LED Type: High-Power LED
- LED power: 2W
- Source Lm: 175lm(3000K) / 185lm (4000K)
- LED Lifetime: >50000h-L70 / B10-Ta25°C (LM-80/TM-21)
- CCT/CRI: 3000K / 4000K >Ra90 and Ra97(>Ra95) optional
- SDCM: 3 SDCM
- Input: 700mA max 3V DC (Constant current drive)
- Dimming: Can match WAC special MTB power divider (not included), see its specification
- Net Weight: 0.09Kg without packing

### Order Model

Model	LED	Drive	Beam	CRI	CCT	Finish
<b>SLIR4F</b> LEDme II	<b>LD</b> LED 2W	<b>M</b> MTB driver <b>N</b> Single wire	<b>F</b> 6°~ 40°	<b>9</b> Ra90 <b>A</b> Ra97	<b>30</b> 3000K <b>40</b> 4000K	<b>BK</b> Black
SLIR4F	LD	N	F	9	30	BK

Example : SLIR4FLD-N-F930BK

Note: Appliances are not included in all models, please consult WAC for details

WAC Lighting  
www.waclighting.com (US)  
www.waclighting.com.cn (China)

Headquarters  
44 Harbor Park Drive • Port Washington, NY  
Phone (516) 515.5000 • Fax (516) 515.5050

WAC Lighting(Shanghai)  
14,Lane 299, Bi Sheng Road, Shanghai 201204,China  
Phone (86.21) 3393.3558 • Fax (86.21) 3362.1598

# LEDME II - MODEL: SLIR4FLD

## Recessed Showcase Lighting



PROJECT:

TYPE:

### Accessories

#### MTB-CABLE-1000-BK

SLIR4FLD-M special extension cable: Used between the MTB power splitter and SLIR4FLD-M series showcase lamps, the total length of 1m, with quick connector at both ends



Note: SLIR4FLD-M original lamp input wire length is about 0.5 meters.  
Special MTB power line (<http://www.waclighting.com.cn/products/detail/3147>) and extension cord be separate order.

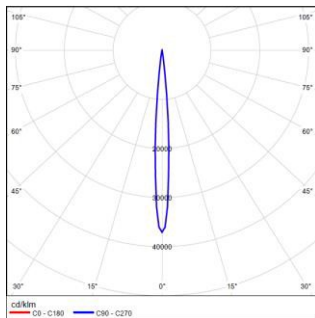
#### 4LD-700MA10D-LF-C

SLIR4FLD-N Special electrical equipment: Input 220V~240V AC / 50Hz, output 700mA, 2~14V Support 0-10V dimming, can drive 1-4 display case lights (series) size (L\*W\*H) : 121\*41\*22, mm

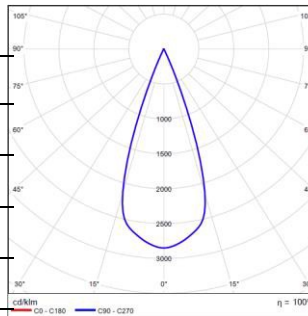


Note: SLIR4FLD-N original lamp input wire length is about 0.3 meters. SLIR4FLD-N special appliances must be ordered separately, without cable

### Light distribution curve @3000K data



MODEL :	SLIR4FLD Narrow Angle
BEAM ANGLE :	6°
POWER :	2W
LUMENS :	15.2lm
CBCP :	563cd
EFFICACY :	8lm/W



MODEL :	SLIR4FLD Wide Angle
BEAM ANGLE :	40°
POWER :	2W
LUMENS :	55lm
CBCP :	156cd
EFFICACY :	28lm/W

WAC Lighting  
www.waclighting.com (US)  
www.waclighting.com.cn (China)

Headquarters  
44 Harbor Park Drive • Port Washington, NY  
Phone (516) 515.5000 • Fax (516) 515.5050

WAC Lighting(Shanghai)  
14,Lane 299, Bi Sheng Road, Shanghai 201204,China  
Phone (86.21) 3393.3558 • Fax (86.21) 3362.1598

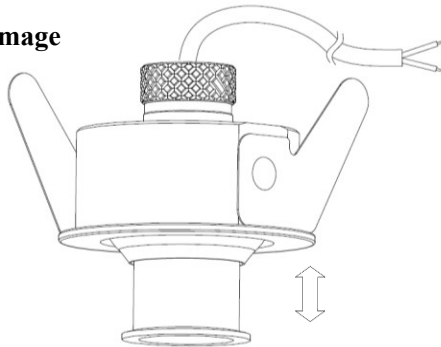
# LEDME II - MODEL: SLIR4FLD- Recessed Lighting

# WAC

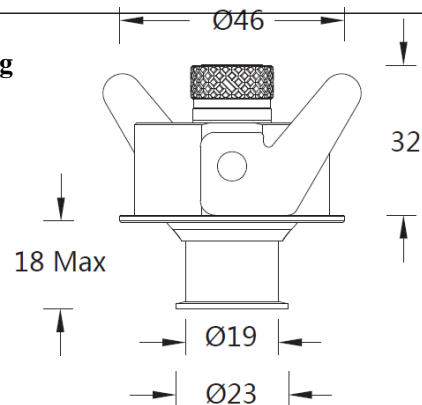
PROJECT :

TYPE :

**Product Image**



**Line Drawing**



## Product Description

LEDme II series display case light products are simple and compact in appearance, using WAC's leading SUBROSA anti-glare technology, with accurate adjustable focus light distribution design, providing a positive telescopic focusing structure. It can be very convenient to adjust the spot according to the characteristics of the exhibition to meet the needs of different exhibitions, and is suitable for museum display cases and high-end art exhibitions.

## Product Features

- Body Material: Aluminum alloy die-casting
- Optical System: Lens+ SUBOROSA optical system
- Surface Finishing: Liquid baking paint
- Adjustable Angle: + Horizontal: 0-360° tilt, Vertical: -30~30° tilt
- Accessories: Extension cable is optional
- Certification: CQC
- IP Rating: IP20
- Insulation Level: Class III
- Operating Temperature: -20°C~40°C

## Product Specifications

- Cut-out: Ø42mm
- Ceiling: 5~15mm
- LED Type: High-Power LED
- LED power: 2W
- Source Lm: 175lm(3000K) / 185lm (4000K)
- LED Lifetime: >50000h-L70 / B10-Ta25°C (LM-80/TM-21)
- CCT/CRI: 3000K / 4000K >Ra90 and Ra97(>Ra95) optional
- SDCM: 3 SDCM
- Input: 700mA max 3V DC (Constant current drive)
- Dimming: electric-free
- Net Weight: 0.09Kg without packing

## Order Model

Model	LED	Drive	Beam	CRI	CCT	Finish
<b>SLIR4F</b> LEDme II	<b>LD</b> LED 2W	<b>NR</b> Single wire	<b>F</b> 6°~ 40°	<b>9</b> Ra90 <b>A</b> Ra97	<b>30</b> 3000K <b>40</b> 4000K	<b>BK</b> Black
SLIR4F	LD	NR	F	9	30	BK

Example : SLIR4FLD-NR-F930BK

Note: Appliances are not included in all models, please consult WAC for details

WAC Lighting  
www.waclighting.com (US)  
www.waclighting.com.cn (China)

Headquarters  
44 Harbor Park Drive • Port Washington, NY  
Phone (516) 515.5000 • Fax (516) 515.5050

WAC Lighting(Shanghai)  
14,Lane 299, Bi Sheng Road, Shanghai 201204,China  
Phone (86.21) 3393.3558 • Fax (86.21) 3362.1598

WAC Lighting reserves the right to periodically design and update products.2024-01-31

# LEDME II - MODEL: SLIR4FLD- Recessed Lighting

# WAC

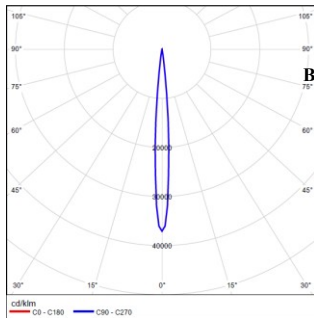
PROJECT :

TYPE :

## Accessories:

/

## Light distribution curve @3000K data



**MODEL :** SLIR4FLD Narrow Angle

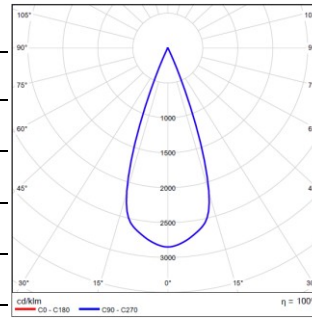
**BEAM ANGLE :** 6°

**POWER :** 2W

**LUMENS :** 15.2lm

**CBCP :** 563cd

**EFFICACY :** 8lm/W



**MODEL :** SLIR4FLD Wide Angle

**BEAM ANGLE :** 40°

**POWER :** 2W

**LUMENS :** 55lm

**CBCP :** 156cd

**EFFICACY :** 28lm/W

# LEDME II - MODEL: SLIR4FLM

## Recessed Showcase Lighting



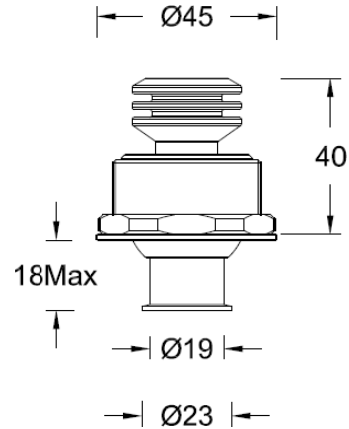
PROJECT :

TYPE :

### Product Image



### Line Drawing



### Product Description

LEDme II series display case light products are simple and compact in appearance, using WAC's leading SUBOROSA anti-glare technology, with accurate adjustable focus light distribution design, providing a positive telescopic focusing structure. It can be very convenient to adjust the spot according to the characteristics of the exhibition to meet the needs of different exhibitions, and is suitable for museum display cases and high-end art exhibitions.

### Product Features

- Body Material: Aluminum alloy die-casting
- Optical System: Lens+ SUBOROSA optical system
- Surface Finishing: + Liquid baking paint
- Adjustable Angle: Horizontal: 0-360° tilt, Vertical: -30~30° tilt
- Accessories: /
- Certification: CQC
- IP Rating: IP20
- Insulation Level: Class III
- Operating Temperature: -20°C~40°C

### Product Specifications

- Cut-out: Ø39mm
- Ceiling: 1~13mm
- LED Type: High-Power LED
- LED power: 4.5W
- Source Lm: 410lm(3000K) / 440lm (4000K)
- LED Lifetime: >50000h-L70 / B10-Ta25°C(LM-80/TM-21)
- CCT/CRI: 3000K / 4000K >Ra90 and Ra97(>Ra95) optional
- SDCM: 3 SDCM
- Input: 350mA max 12V DC (Constant current drive)
- Dimming: Need additional configuration constant current appliance (not included), dimming mode depends on the power supply
- Net Weight: 0.11Kg without packing

### Order Model

Model	LED	Drive	Beam	CRI	CCT	Finish
SLIR4F LEDme II	LM LED 4.5W	N Single wire	F 7°~ 40°	9 Ra90	30 3000K	BK Black
				A Ra97	40 4000K	
SLIR4F	LM	N	F	9	30	BK

Example : SLIR4FLM-N-F930BK

Note: Appliances are not included in all models, please consult WAC for details

WAC Lighting  
www.waclighting.com (US)  
www.waclighting.com.cn (China)

Headquarters  
44 Harbor Park Drive • Port Washington, NY  
Phone (516) 515.5000 • Fax (516) 515.5050

WAC Lighting(Shanghai)  
14,Lane 299, Bi Sheng Road, Shanghai 201204,China  
Phone (86.21) 3393.3558 • Fax (86.21) 3362.1598

# LEDME II - MODEL: SLIR4FLM

## Recessed Showcase Lighting



PROJECT :

TYPE :

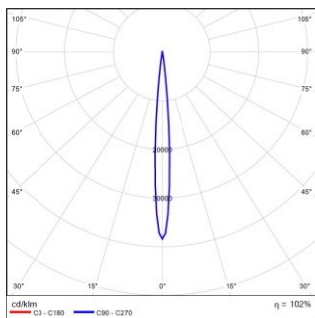
### Accessories:

4LD-350MA10D-LF-C  
Special electrical equipment: Input 220V~240V AC / 50Hz, output 350mA,  
6-30V support 0-10V dimming, can drive 1-2 showcase lights (series)  
Size (L\*W\*H) : 121\*41\*22mm

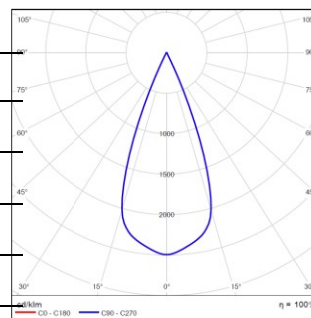


Note: The length of the original lamp input wire is about 0.5 meters. Special appliances need to be ordered separately, without cables

### Light distribution curve @3000K data



**MODEL :** SLIR4FLM Narrow Angle  
**BEAM ANGLE :** 7°  
**POWER :** 4.5W  
**LUMENS :** 311lm  
**CBCP :** 1197cd  
**EFFICACY :** 71lm/W



**MODEL :** SLIR4FLM Wide Angle  
**BEAM ANGLE :** 40°  
**POWER :** 4.5W  
**LUMENS :** 1111lm  
**CBCP :** 277cd  
**EFFICACY :** 25lm/W

WAC Lighting  
www.waclighting.com (US)  
www.waclighting.com.cn (China)

Headquarters  
44 Harbor Park Drive • Port Washington, NY  
Phone (516) 515.5000 • Fax (516) 515.5050

WAC Lighting(Shanghai)  
14,Lane 299, Bi Sheng Road, Shanghai 201204,China  
Phone (86.21) 3393.3558 • Fax (86.21) 3362.1598

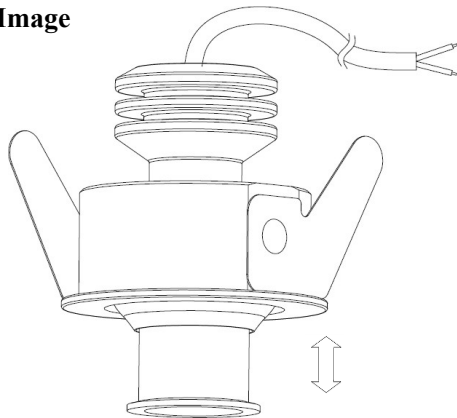
# LEDME II - MODEL: SLIR4FLM- Recessed Lighting

# WAC

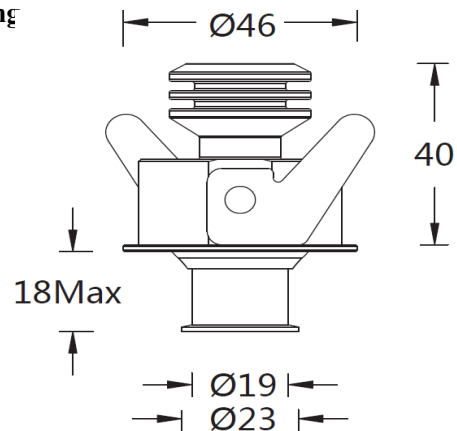
PROJECT :

TYPE :

## Product Image



## Line Drawing



## Product Description

LEDme II series display case light products are simple and compact in appearance, using WAC's leading SUBROSA anti-glare technology, with accurate adjustable focus light distribution design, providing a positive telescopic focusing structure. It can be very convenient to adjust the spot according to the characteristics of the exhibition to meet the needs of different exhibitions, and is suitable for museum display cases and high-end art exhibitions.

## Product Features

- Body Material: Aluminum alloy die-casting
- Optical System: Lens+ SUBOROSA optical system
- Surface Finishing: Liquid baking paint
- Adjustable Angle: Horizontal: 0-360° tilt, Vertical: -30~30° tilt
- Accessories: + /
- Certification: CQC
- IP Rating: IP20
- Insulation Level: Class III
- Operating Temperature: -20°C~40°C

## Product Specifications

- Cut-out: Ø42mm
- Ceiling: 5~15mm
- LED Type: High-Power LED
- LED power: 4.5W
- Source Lm: 410lm(3000K) / 440lm (4000K)
- LED Lifetime: >50000h-L70 / B10-Ta25°C (LM-80/TM-21)
- CCT/CRI: 3000K / 4000K >Ra90 and Ra97(>Ra95) optional
- SDCM: 3 SDCM
- Input: 350mA max 12V DC (Constant current drive)
- Dimming: electric-free
- Net Weight: 0.11Kg without packing

## Order Model

Model	LED	Drive	Beam	CRI	CCT	Finish
SLIR4F LEDme II	LM LED 4.5W	NR Single wire	F 7°~ 40°	9 Ra90 A Ra97	30 3000K 40 4000K	BK Black
SLIR4F	LM	NR	F	9	30	BK

Example : SLIR4FLM-NR-F930BK

Note: Appliances are not included in all models, please consult WAC for details

WAC Lighting  
www.waclighting.com (US)  
www.waclighting.com.cn (China)

Headquarters  
44 Harbor Park Drive • Port Washington, NY  
Phone (516) 515.5000 • Fax (516) 515.5050

WAC Lighting(Shanghai)  
14,Lane 299, Bi Sheng Road, Shanghai 201204,China  
Phone (86.21) 3393.3558 • Fax (86.21) 3362.1598

WAC Lighting reserves the right to periodically design and update products.2024-01-31

# LEDME II - MODEL: SLIR4FLM-

Recessed Lighting

# WAC

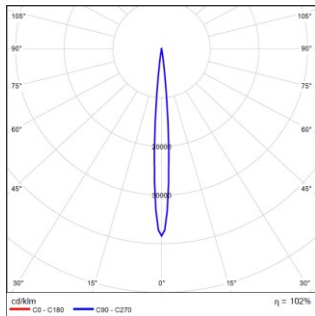
PROJECT :

TYPE :

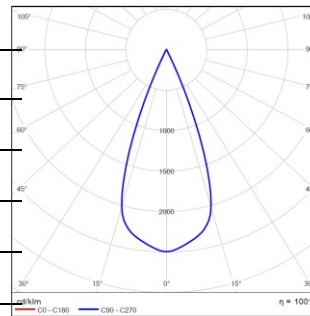
## Accessories:

/

## Light distribution curve @3000K data



**MODEL :** SLIR4FLM Narrow Angle  
**BEAM ANGLE :** 7°  
**POWER :** 4.5W  
**LUMENS :** 31lm  
**CBCP :** 1197cd  
**EFFICACY :** 7lm/W



**MODEL :** SLIR4FLM Wide Angle  
**BEAM ANGLE :** 40°  
**POWER :** 4.5W  
**LUMENS :** 111lm  
**CBCP :** 277cd  
**EFFICACY :** 25lm/W