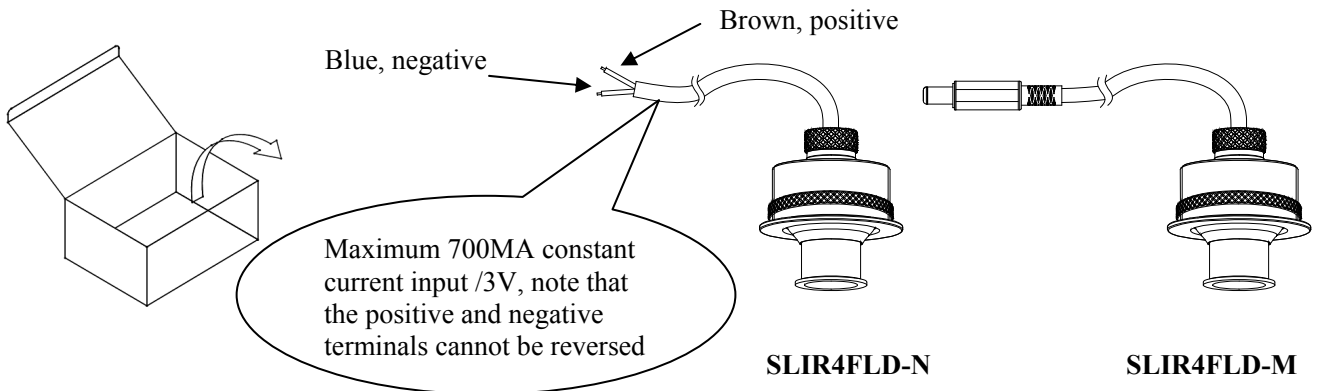


Installation Precautions:

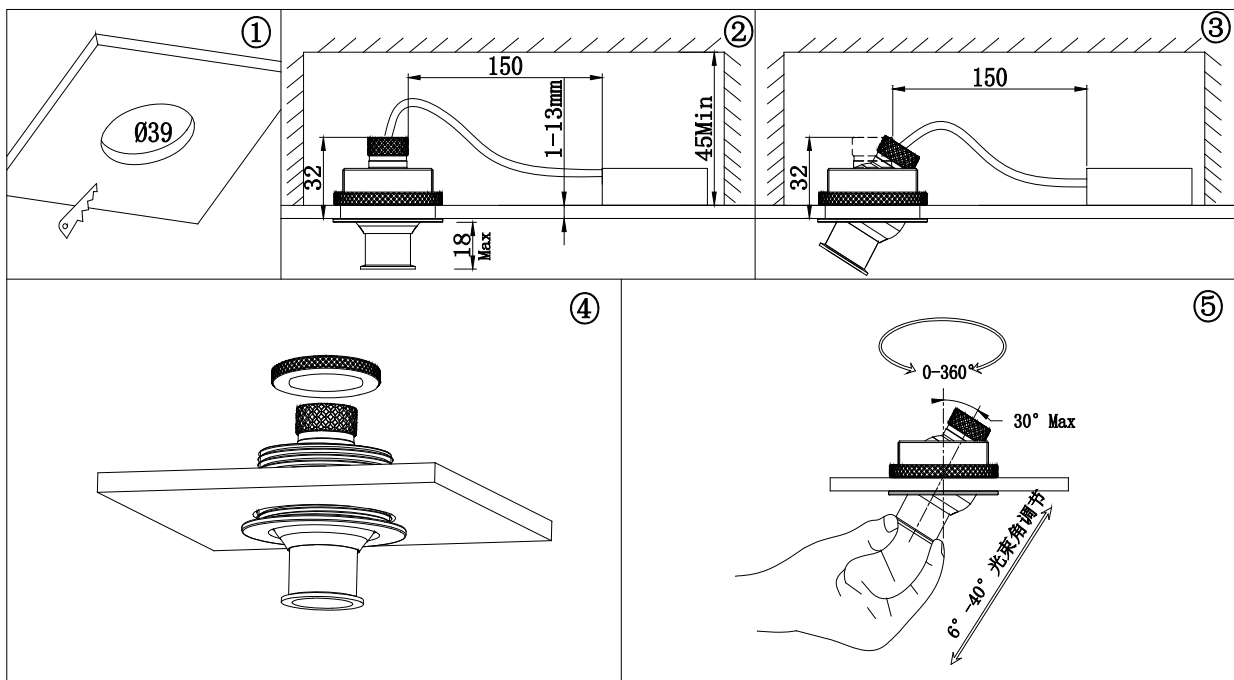
1. Please read through the Instructions before installation.
2. Install by a qualified electrician, confirm to turn off the power before installation and maintenance;
3. Suitable for indoor installation (not for humid environment);
4. Lamps can not be directly connected to the mains 220V, need to be used together with electrical appliances, the use of dimming system, need to do a good match test with electrical appliances in advance.
5. The light source of this lamp is not replaceable, once it needs to be replaced (such as the end of the life of the light source), the entire lamp should be replaced;
6. Keep this manual properly for use when needed.



Electrical appliance selection:

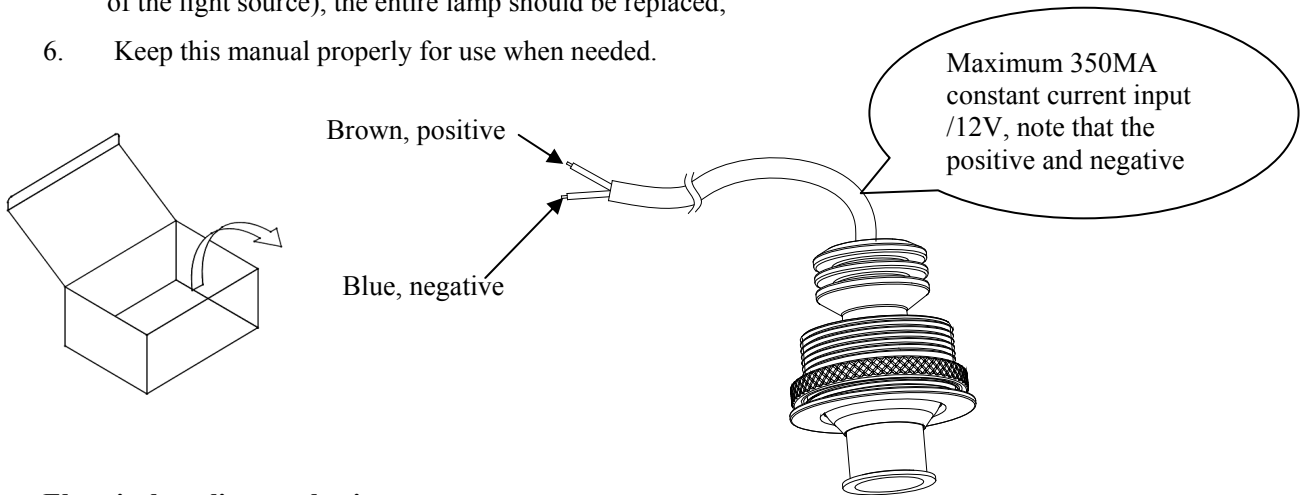
SLIR4FLD-M	It is used with WAC MTB power divider
SLIR4FLD-N	WAC brand Appliance: LD-700MA10D-LF-C (0-10V) (need to order separately)

Lighting installation:



Installation Precautions:

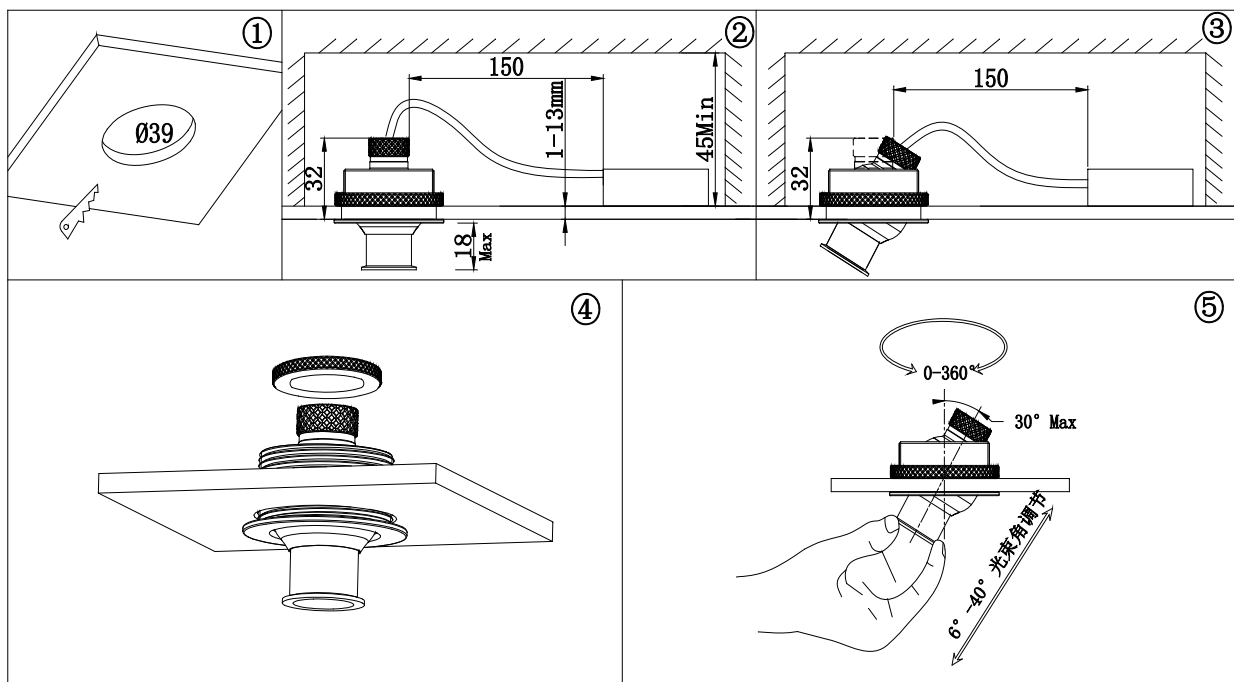
1. Please read through the Instructions before installation.
2. Install by a qualified electrician, confirm to turn off the power before installation and maintenance;
3. Suitable for indoor installation (not for humid environment);
4. Lamps can not be directly connected to the mains 220V, need to be used together with electrical appliances, the use of dimming system, need to do a good match test with electrical appliances in advance.
5. The light source of this lamp is not replaceable, once it needs to be replaced (such as the end of the life of the light source), the entire lamp should be replaced;
6. Keep this manual properly for use when needed.



Electrical appliance selection:

SLIR4FLM-N	WAC brand Appliance: LD-350MA10D-LF-C (0-10V) (Need to order separately, can drive 1-2 lamps) Other brands of electrical appliances: 350mA, 12V (constant current drive)
------------	---

Lighting installation:



Licensed by "WAC" trademark holder - WAC LIGHTING, USA
 Chinese Marketing Headquarters : WAC Lighting (Shanghai) Co, Ltd.
 Address : 14, Lane 299, Bi Sheng Road, Shanghai 201204, China
 China factory : Manufactured WAC Lighting (Dongguan) Co, Ltd.
 Address : 390, Qingfeng Road, Qingxi Town, Dngguan, Guangdong. Postal code: 523653