

FALCON SQUARE WW - MODEL: TL65W

W Track Luminaires

WAC

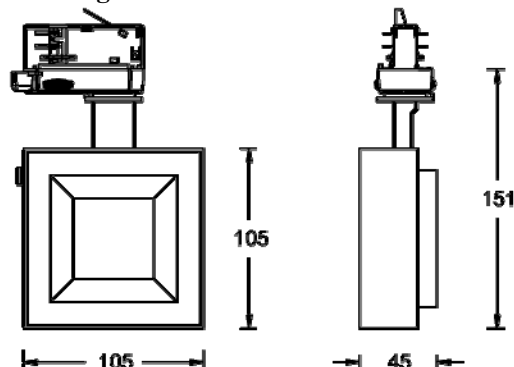
PROJECT:

TYPE:

Product Image



Line Drawing



Product Description

The FALCON Square Wall Washer series (hereinafter referred to as WW) LED track spotlight is compatible with the W three-circuit track. The slim and three-dimensional structure of the luminaire provides precise wall washing light distribution effects through WAC's careful optical design. The luminaire has a built-in high-quality LED constant current electrical appliance, and can choose advanced wireless dimming control functions. It is widely used in museums, art galleries, science museums and other places.

Product Features

- Body Material: Aluminum alloy die-casting, PC optical components
- Optical System: Double lens
- Surface Finishing: Static electricity powder coating, Black (BK), White (WT)
- Adjustable Angle: Horizontal: 0-365° tilt, Vertical: 0~90° tilt
- Accessories: Add anti-glare accessories at most
- Certification: CCC/CE
- IP Rating: IP20
- Insulation Level: Class I
- Operating Temperature: -20°C~40°C

Product Specifications

- LED Type: HP LED
- LED Power: 8W/12W
- Source Lm: 3000K 700LM(8W)/875LM(12W); 4000K 740LM(8W)/925LM(12W)
- LED Lifetime: >50000h-L70 /B10-Ta25°C(LM-80/TM-21)
- CCT/CRI: 3000K/4000K, Ra90/Ra97,
- SDCM: 3 SDCM
- Input: 220V~240V AC / 50Hz
- Dimming: On-boarding(10%-100%)/ Wireless(WAC system is required)/ DALI/ 0-10V&On-boarding
- Net Weight: 0.6Kg without packing

Order Model

Model	LED	Dimming	Beam	CRI	CCT	Finish
TL65W		O On-boarding				
FALCON	LD08 LED 8W	D 0-10V&On-boarding	W Wall washer	9 90	30 3000K	WT White
SQUARE	LD12 LED 12W	B Wireless		A 97	40 4000K	BK Black
WW		A DALI				
TL65W	LD08	0	W	9	30	WT

Example: TL65WLD08-O-W930WT

FALCON SQUARE WW - MODEL: TL65W





W Track Luminaires

PROJECT:

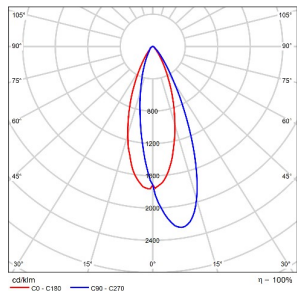
TYPE:

Accessories

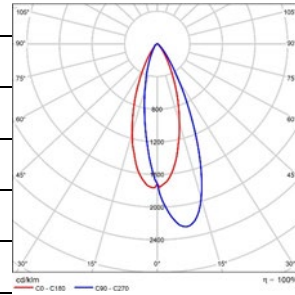
LENS-TL65W-SUBROSA Hidden Light Projection Components 	LENS-TL65-BD Four-leaf Shade 
---	--

Note: Please refer to the instructions when installing the hidden light projection component.

LIGHT DISTRIBUTION@3000K LUMINAIRE DATA



MODEL:	TL65WLD08-O-W930
BEAM ANGLE:	WALL WASHER
POWER:	10W
LUMENS:	449lm
CBCP:	/
EFFICACY:	45lm/W



MODEL:	TL65WLD12-O-W930
BEAM ANGLE:	WALL WASHER
POWER:	16W
LUMENS:	628lm
CBCP:	/
EFFICACY:	39lm/W

FALCON SQUARE WW - MODEL: TL66W

W Track Luminaires

WAC

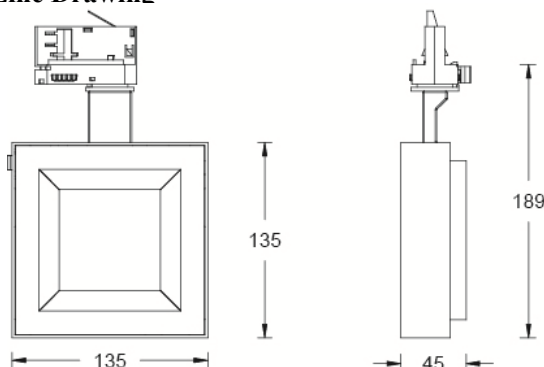
PROJECT:

TYPE:

Product Image



Line Drawing



Product Description

The FALCON Square Wall Washer series (hereinafter referred to as WW) LED track spotlight is compatible with the W three-circuit track. The slim and three-dimensional structure of the luminaire provides precise wall washing light distribution effects through WAC's careful optical design. The luminaire has a built-in high-quality LED constant current electrical appliance, and can choose advanced wireless dimming control functions. It is widely used in museums, art galleries, science museums and other places.

Product Features

- Body Material: Aluminum alloy die-casting, PC optical components
- Optical System: Double lens
- Surface Finishing: Static electricity powder coating, Black (BK), White (WT)
- Adjustable Angle: Horizontal: 0-365° tilt, Vertical: 0~90° tilt
- Accessories: Add anti-glare accessories at most
- Certification: CCC/CE
- IP Rating: IP20
- Insulation Level: Class I
- Operating Temperature: -20°C~40°C

Product Specifications

- LED Type: HP LED
- LED Power: 18W/27W
- Source Lm: 3000K 1575LM(18W)/2125LM(27W); 4000K 1665LM(18W)/2245LM(27W)
- LED Lifetime: >50000h-L70 /B10-Ta25°C(LM-80/TM-21)
- CCT/CRI: 3000K/4000K, Ra90/Ra97,
- SDCM: 3 SDCM
- Input: 220V~240V AC / 50Hz
- Dimming: On-boarding(10%-100%)/ Wireless(WAC system is required)/ DALI/ 0-10V&On-boarding
- Net Weight: 0.9Kg without packing

Order Model

Model	LED	Dimming	Beam	CRI	CCT	Finish
TL66W		O On-boarding				
FALCON	LD18 LED 18W	D 0-10V&On-boarding	W Wall washer	9 90	30 3000K	WT White
SQUARE	LD27 LED 27W	B Wireless		A 97	40 4000K	BK Black
WW		A DALI				
TL66W	LD18	0	W	9	30	WT

Example: TL66WLD18-O-W930WT

FALCON SQUARE WW - MODEL: TL66W

W Track Luminaires

PROJECT:

WAC

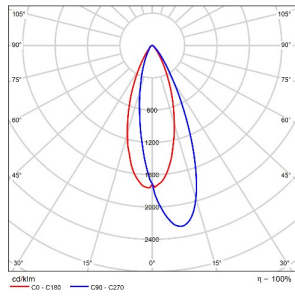
TYPE:

Accessories

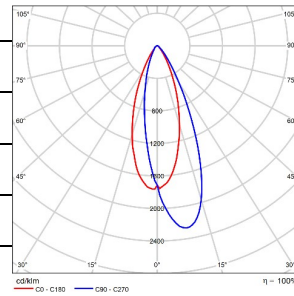
LENS-TL66W-SUBROSA Hidden Light Projection Components		LENS-TL66-BD Four-leaf Shade	
---	---	--	---

Note: Please refer to the instructions when installing the hidden light projection components.

LIGHT DISTRIBUTION@3000K LUMINAIRE DATA



MODEL:	TL66WLD18-O-W930
BEAM ANGLE:	WALL WASHER
POWER:	21W
LUMENS:	1172lm
CBCP:	/
EFFICACY:	56lm/W



MODEL:	TL66WLD27-O-W930
BEAM ANGLE:	WALL WASHER
POWER:	31W
LUMENS:	1641lm
CBCP:	/
EFFICACY:	53lm/W

FALCON SQUARE WW - MODEL: TL67W

W Track Luminaires

WAC

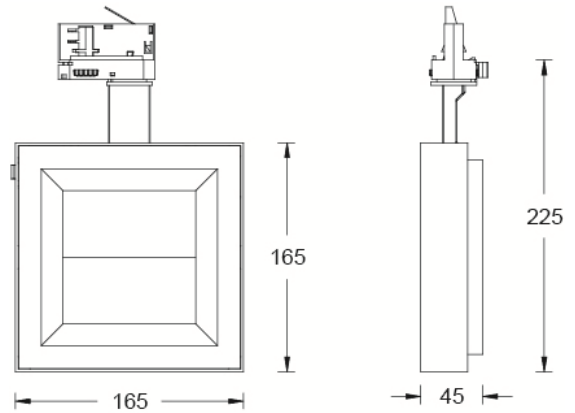
PROJECT:

TYPE:

Product Image



Line Drawing



Product Description

The FALCON Square Wall Washer series (hereinafter referred to as WW) LED track spotlight is compatible with the W three-circuit track. The slim and three-dimensional structure of the luminaire provides precise wall washing light distribution effects through WAC's careful optical design. The luminaire has a built-in high-quality LED constant current electrical appliance, and can choose advanced wireless dimming control functions. It is widely used in museums, art galleries, science museums and other places.

Product Features

- Body Material: Aluminum alloy die-casting, PC optical components
- Optical System: Double lens
- Surface Finishing: Static electricity powder coating, Black (BK), White (WT)
- Adjustable Angle: Horizontal: 0-365° tilt, Vertical: 0~90° tilt
- Accessories: Add anti-glare accessories at most
- Certification: CCC/CE
- IP Rating: IP20
- Insulation Level: Class I
- Operating Temperature: -20°C~40°C

Product Specifications

- LED Type: HP LED
- LED Power: 32W/43W
- Source Lm: 3000K 2800LM(32W)/2960LM(42W); 4000K 3500LM(32W)/3700LM(42W)
- LED Lifetime: >50000h-L70 /B10-Ta25°C(LM-80/TM-21)
- CCT/CRI: 3000K/4000K, Ra90/Ra97,
- SDCM: 3 SDCM
- Input: 220V~240V AC / 50Hz
- Dimming: On-boarding(10%-100%)/ Wireless(WAC system is required)/ DALI/ 0-10V&On-boarding
- Net Weight: 1.3Kg without packing

Order Model

Model	LED	Dimming	Beam	CRI	CCT	Finish
TL67W		O On-boarding				
FALCON	LD32 LED 32W	D 0-10V&On-boarding	W Wall washer	9 90	30 3000K	WT White
SQUARE	LD43 LED 43W	B Wireless		A 97	40 4000K	BK Black
WW		A DALI				
TL67W	LD32	0	W	9	30	WT

Example: TL67WLD32-O-W930WT

FALCON SQUARE WW - MODEL: TL67W



W Track Luminaires

PROJECT:

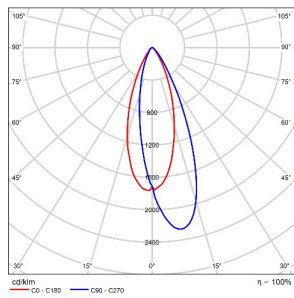
TYPE:

Accessories

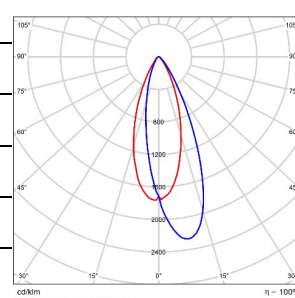
LENS-TL67W-SUBROSA Hidden Light Projection Components		LENS-TL67-BD Four-leaf Shade	
---	---	--	---

Note: Please refer to the instructions when installing the hidden light projection components.

LIGHT DISTRIBUTION@3000K LUMINAIRE DATA



MODEL:	TL67WLD32-O-W930
BEAM ANGLE:	WALL WASHER
POWER:	36W
LUMENS:	1814lm
CBCP:	/
EFFICACY:	50lm/W



MODEL:	TL67WLD32-O-W930
BEAM ANGLE:	WALL WASHER
POWER:	48W
LUMENS:	2302lm
CBCP:	/
EFFICACY:	48lm/W