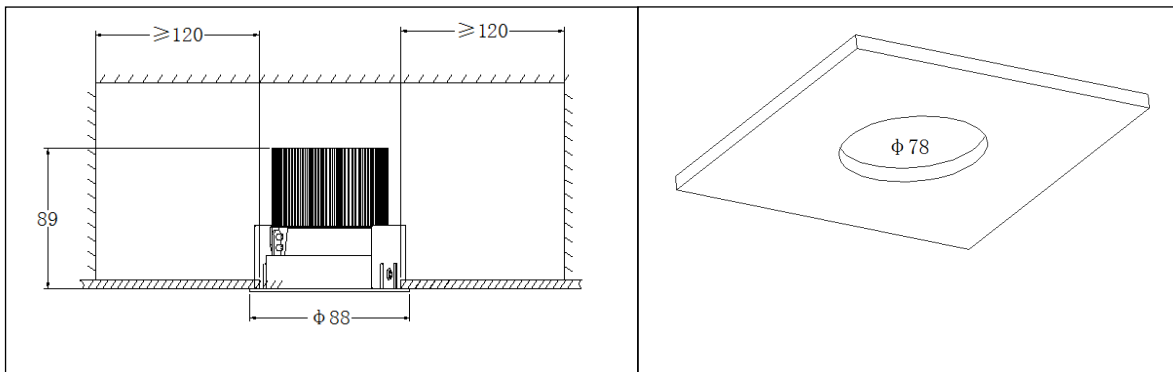


Installation Precautions:

1. Please read through the Instructions before installation.
2. The product should be installed by a professional electrician.
3. Make sure the power supply is cut off before installation and maintenance, to avoid the risk of electric shock.
4. The light can be recessed on the ceiling, where sufficient space must be reserved for installation. Do not cover the light with any thermal insulation or consumable articles to avoid fire hazards.
5. In case of cracking of glass, please replace it immediately.
6. Do not install the light on an unstable or unsolid skylight, to avoid falling off.
7. Please keep this Instruction properly for future reference.

Light Installation and Wiring:

1. Make sure there is enough space on the ceiling to install the luminaire (unit: mm);
2. Cut $\Phi 78$ mm round holes in the ceiling;



3. Let the driver connect the power cord, send the wire and the driver into the ceiling, and press the shrapnel towards the axis of the lamp with both hands until the shrapnel enters the ceiling hole;
4. Hold the lamp with both hands into the ceiling hole until the lamp panel is flat with the ceiling surface;

