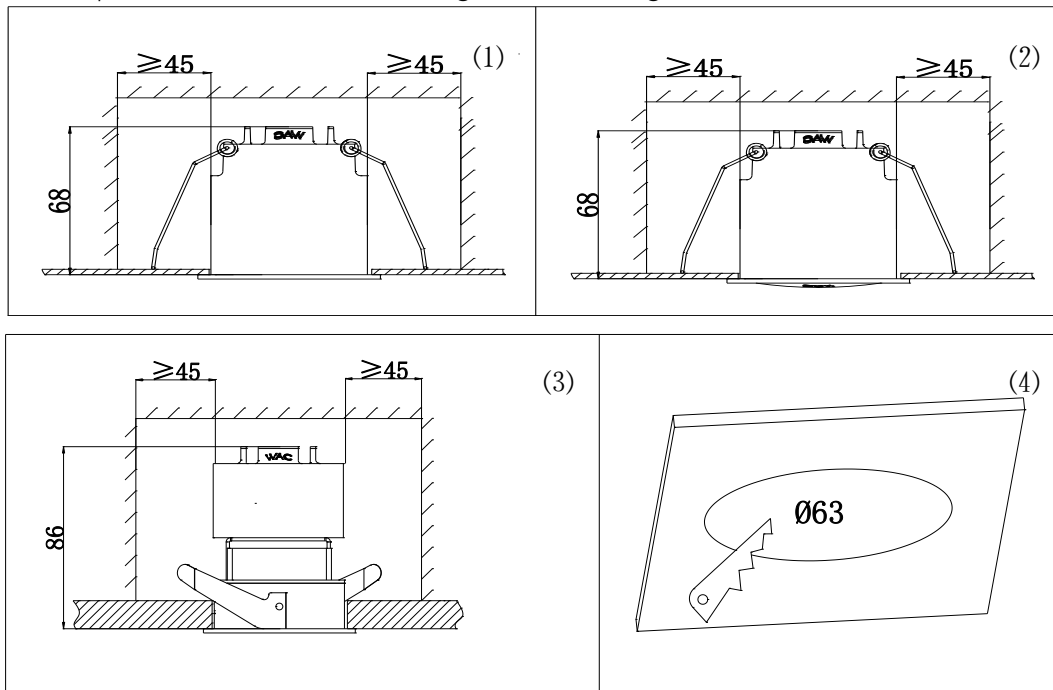


Installation Precautions:

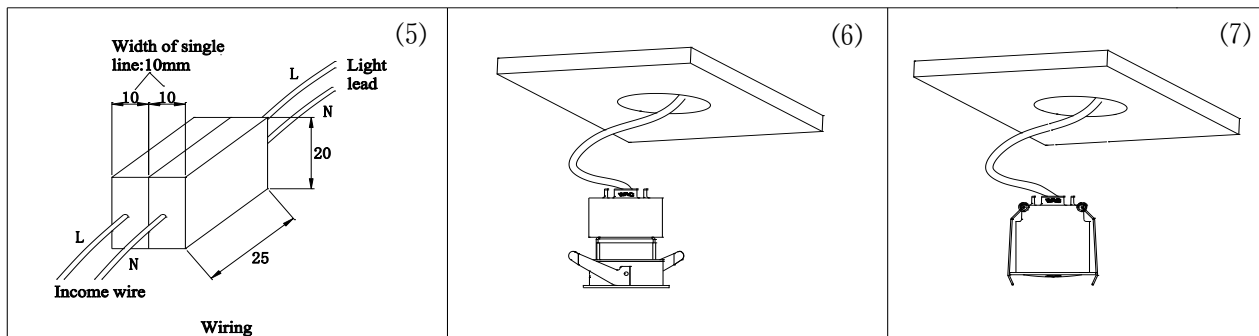
1. Please read through the Instructions before installation.
2. The product should be installed by a professional electrician.
3. Make sure the power supply is cut off before installation and maintenance, to avoid the risk of electric shock.
4. The light can be recessed on the ceiling, where sufficient space must be reserved for installation. Do not cover the light with any thermal insulation or consumable articles to avoid fire hazards.
5. In case of cracking of glass, please replace it immediately.
6. Do not install the light on an unstable or unsolid skylight, to avoid falling off.
7. Please keep this Instruction properly for future reference.

Light Installation and Wiring:

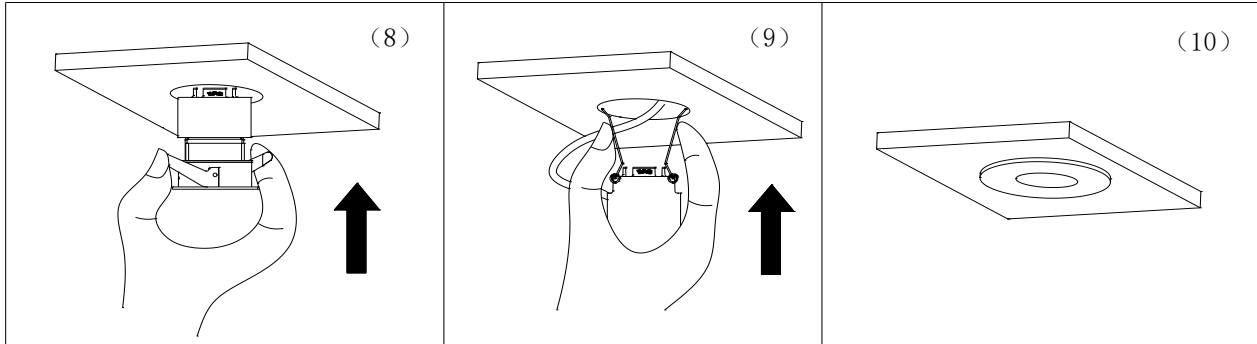
1. Check whether there is enough space to install lamps on the ceiling, as shown in Figure 1 (down light), 2 (wall wash), 3 (adjustable); Ceiling thickness: adjustable: 6 ~ 16mm. down light and wall wash: 1 ~ 25mm.
2. Cut out $\phi 63$ mm round holes in the ceiling, as shown in Figure 4.



3. If the driver of the light comes with lead wires, and the leads need to be connected with an independent terminal block (refer to Figure 5 for wiring), the size of the terminal block for each line should not be less than 10x20x25mm.

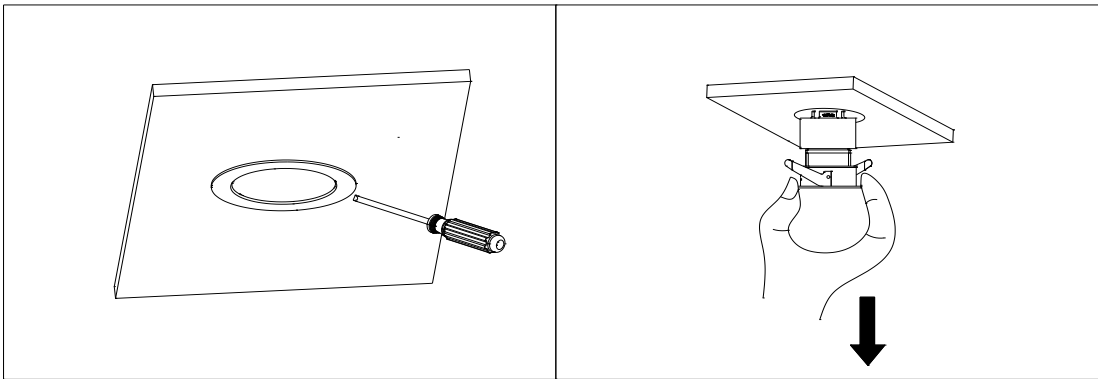


4. After the power cable is connected to the driver, put the wire and the driver into the ceiling, as shown in Figure 6 (adjustable), 7 (downlight/wall wash).
5. Adjustable installation: adjust the Angle, press the shrapnel by hand, put into the lamp into the ceiling, completely push the lamp into the ceiling Flush, see figures 8, 10.
6. Downlight and wall wash installation: Break the spring to the state shown in Figure 9 and send it to the ceiling. When the two ends of the spring hang the hole, push the lamp into the ceiling, as shown in Figure 10.



Removing and Servicing:

1. Adjustable removing: turn off the power supply, use your hand or a flat-head screwdriver to lift a little flanging, and then turn the lamp clockwise to pull out the lamp.



2. Downlight/wall wash removing: Reverse the installation procedure, turn off the power supply, use your hand or a flat-head screwdriver to lift a little flanging, and then turn the lamp clockwise to pull out the lamp.

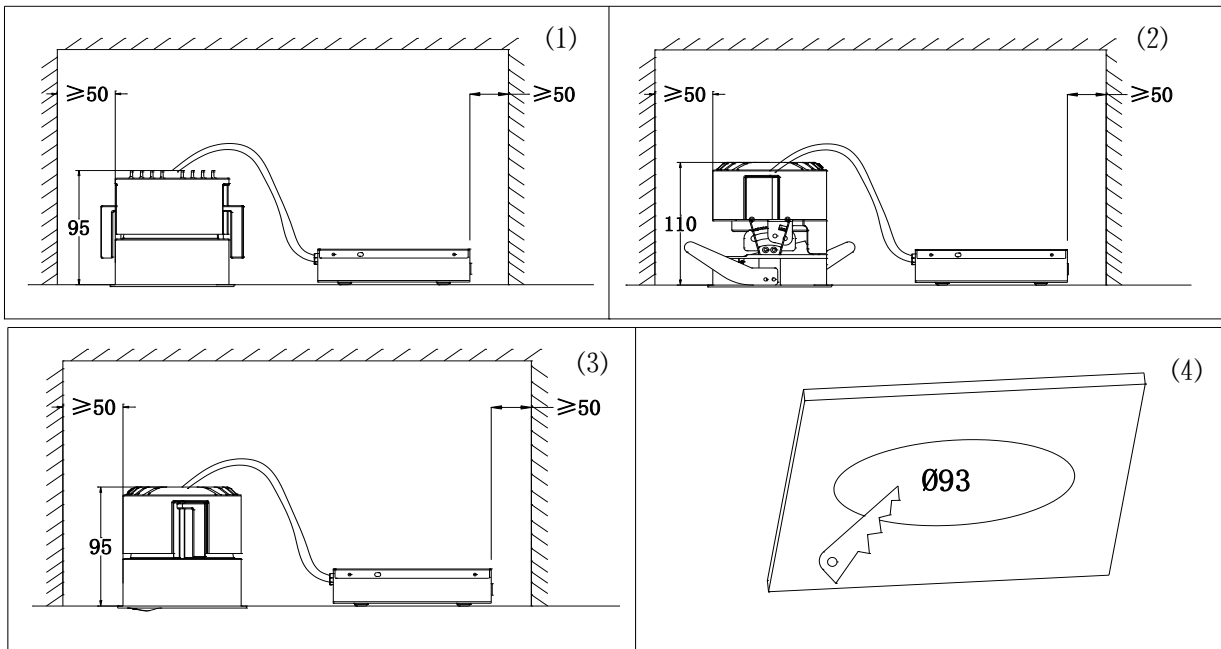
(Need to pay attention to prevent the spring rebound larger injury to the hand)

Installation Precautions:

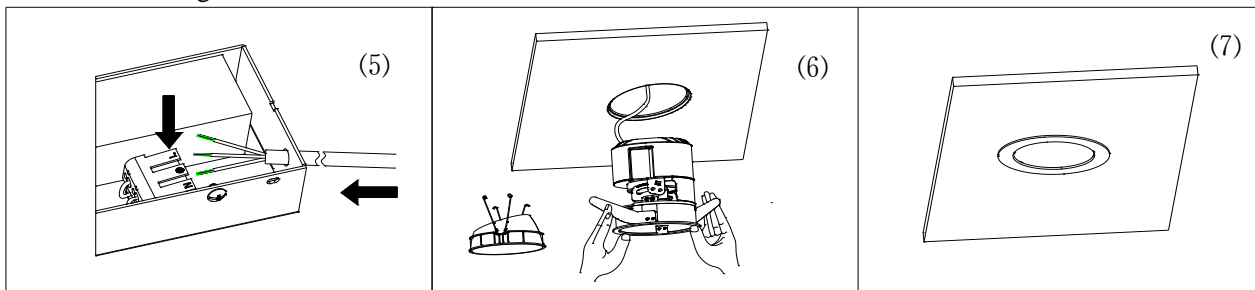
1. Please read through the Instructions before installation.
2. The product should be installed by a professional electrician.
3. Make sure the power supply is cut off before installation and maintenance, to avoid the risk of electric shock.
4. The light can be recessed on the ceiling, where sufficient space must be reserved for installation. Do not cover the light with any thermal insulation or consumable articles to avoid fire hazards.
5. In case of cracking of glass, please replace it immediately.
6. Do not install the light on an unstable or unsolid skylight, to avoid falling off.
7. Please keep this Instruction properly for future reference.

Light Installation and Wiring:

1. Check whether there is enough space on the ceiling to install the lamps, as shown in Figure 1 (Downlight), 2 (adjustable), 3 (wall wash); Ceiling thickness: 1 ~ 40mm for downlight and wall wash, 1 ~ 25mm for adjustable.
2. Cut out $\phi 93$ mm round holes in the ceiling, as shown in Figure 4.

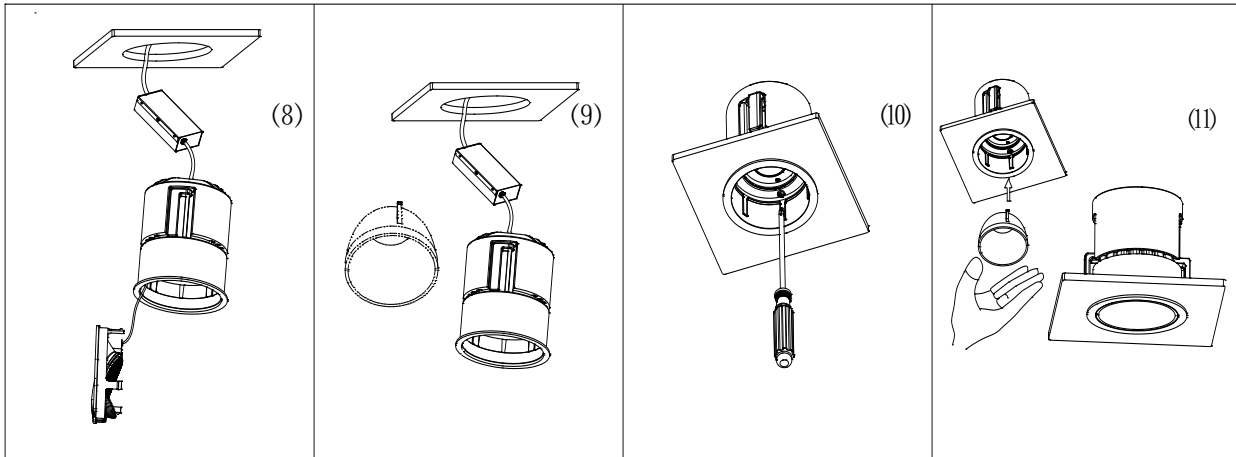


3. Open the junction box and insert the correct power input wire according to the information marked on the connector, as shown in Figure 5.



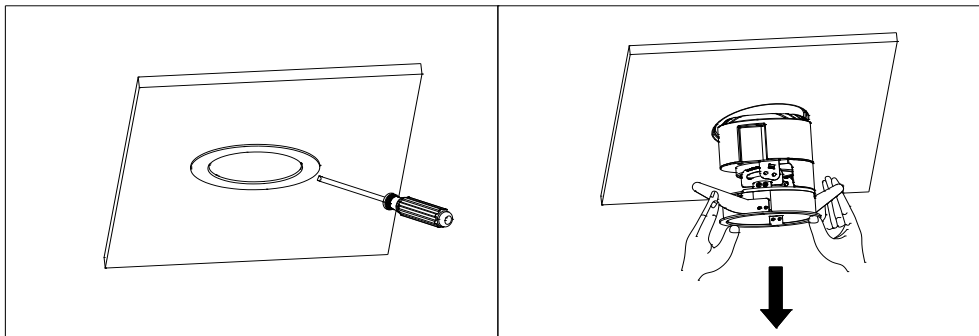
4. Adjustable Installation: Remove the reflector, send the wire and junction box into the ceiling, hold down the flanging and press the shrapnel in the direction of the lamp until the shrapnel enters the ceiling hole, as shown in Figure 6.

5. Hold the lamp and send it into the hole in the ceiling until the lamp is flat with the ceiling surface, as shown in Figure 7. After adjusting the Angle, put the reflector cover into the lamp.
6. Downlight and wall wash Installation: Pull out the reflector, put the wire and junction box into the ceiling hole, as shown in Figure 8 (wall wash)/Figure 9 (downlight), press the lamp frame and turn the mounting screw clockwise until the mounting bracket clamps the ceiling, as shown in Figure 10, and then put the reflector into the luminaire face frame, as shown in Figure 11.

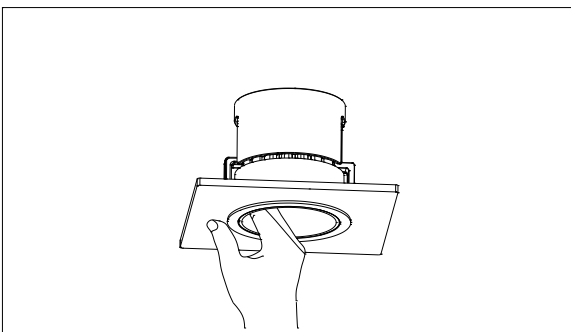


Removing and Servicing:

1. Adjustable removing: turn off the power supply, use your hand or a flat-head screwdriver to lift a little flanging, and then rotate the lamp clockwise to pull out the lamp.



2. Downlight removing: pry up the small edge of the reflector by hand or with a flat-head screwdriver to pry out the reflector; Remove the luminaire by turning the mounting screw counterclockwise until the bracket is inserted into the radiator. Note: If using power tools, torque should not be too large.
3. Wall wash removing: you can easily take out the reflector by hand, and the rest of the steps are the same as the lamp.

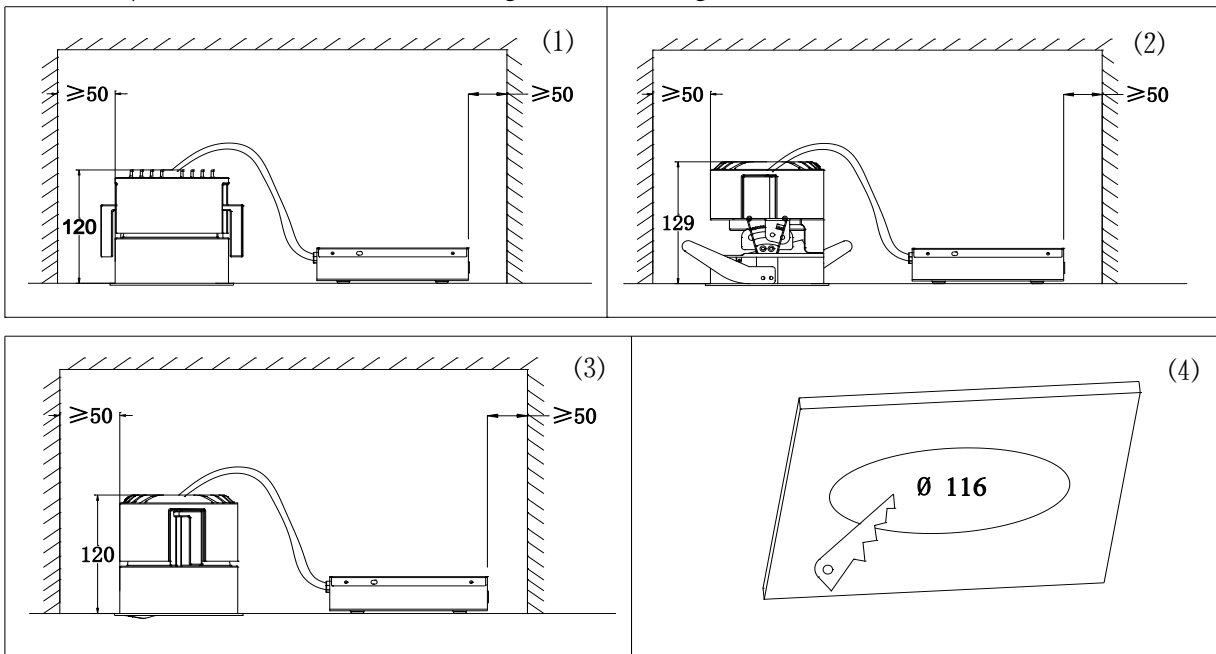


Installation Precautions:

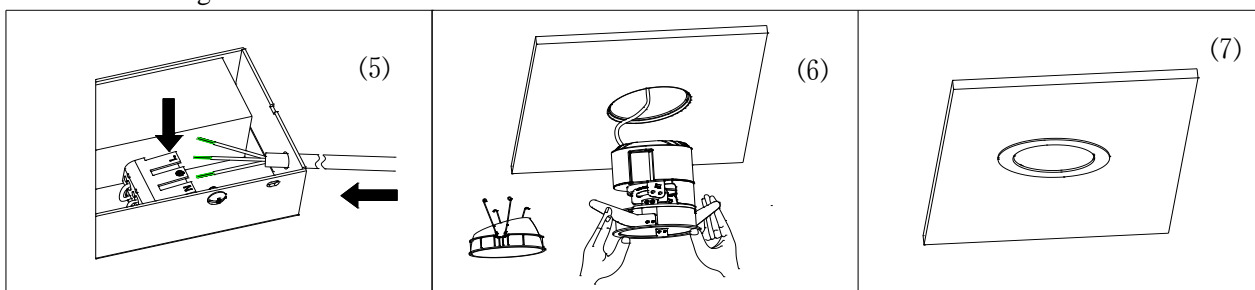
1. Please read through the Instructions before installation.
2. The product should be installed by a professional electrician.
3. Make sure the power supply is cut off before installation and maintenance, to avoid the risk of electric shock.
4. The light can be recessed on the ceiling, where sufficient space must be reserved for installation. Do not cover the light with any thermal insulation or consumable articles to avoid fire hazards.
5. In case of cracking of glass, please replace it immediately.
6. Do not install the light on an unstable or unsolid skylight, to avoid falling off.
7. Please keep this Instruction properly for future reference.

Light Installation and Wiring:

1. Check whether there is enough space on the ceiling to install the lamps, as shown in Figure 1 (Downlight), 2 (adjustable), 3 (wall wash); Ceiling thickness: 1 ~ 40mm for downlight and wall wash, 1 ~ 25mm for adjustable.
2. Cut out $\phi 116$ mm round holes in the ceiling, as shown in Figure 4.

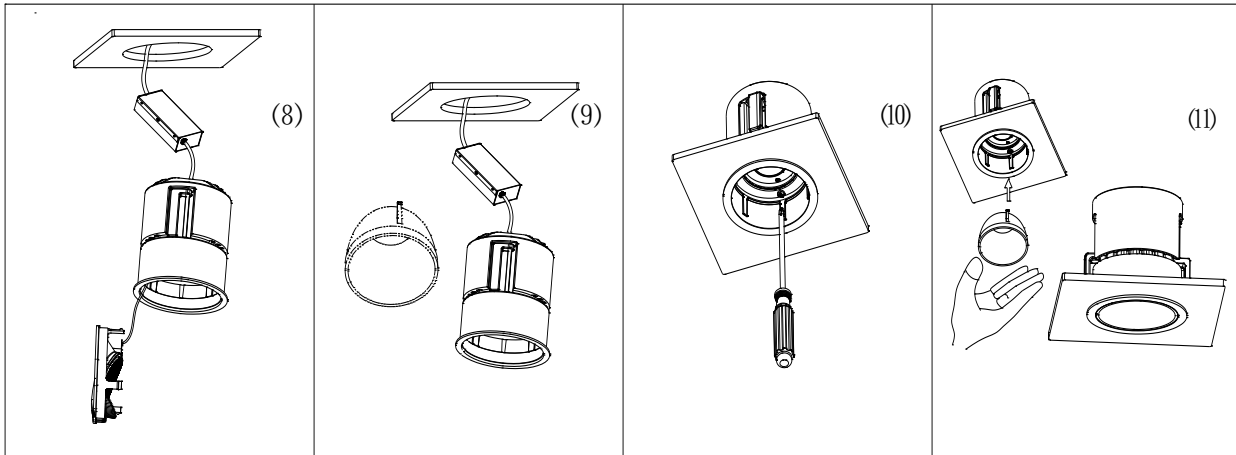


3. Open the junction box and insert the correct power input wire according to the information marked on the connector, as shown in Figure 5.



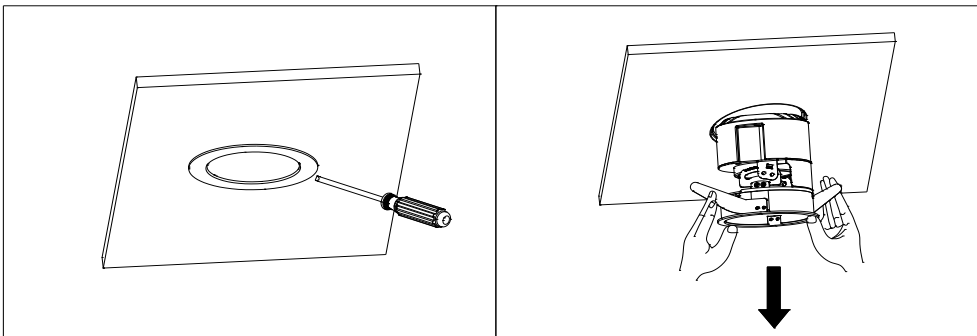
4. Adjustable Installation: Remove the reflector, send the wire and junction box into the ceiling, hold down the flanging and press the shrapnel in the direction of the lamp until the shrapnel enters the ceiling hole, as shown in Figure 6.

5. Hold the lamp and send it into the hole in the ceiling until the lamp is flat with the ceiling surface, as shown in Figure 7. After adjusting the Angle, put the reflector cover into the lamp.
6. Downlight and wall wash Installation: Pull out the reflector, put the wire and junction box into the ceiling hole, as shown in Figure 8 (wall wash)/Figure 9 (downlight), press the lamp frame and turn the mounting screw clockwise until the mounting bracket clamps the ceiling, as shown in Figure 10, and then put the reflector into the luminaire face frame, as shown in Figure 11.

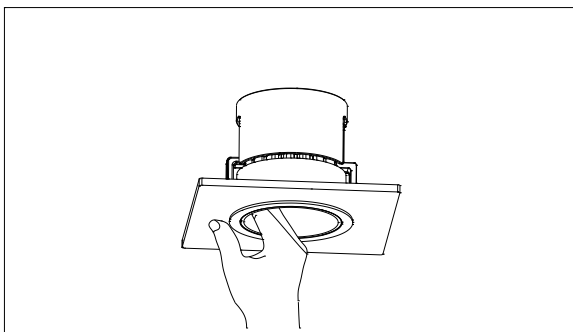


Removing and Servicing:

1. Adjustable removing: turn off the power supply, use your hand or a flat-head screwdriver to lift a little flanging, and then rotate the lamp clockwise to pull out the lamp.



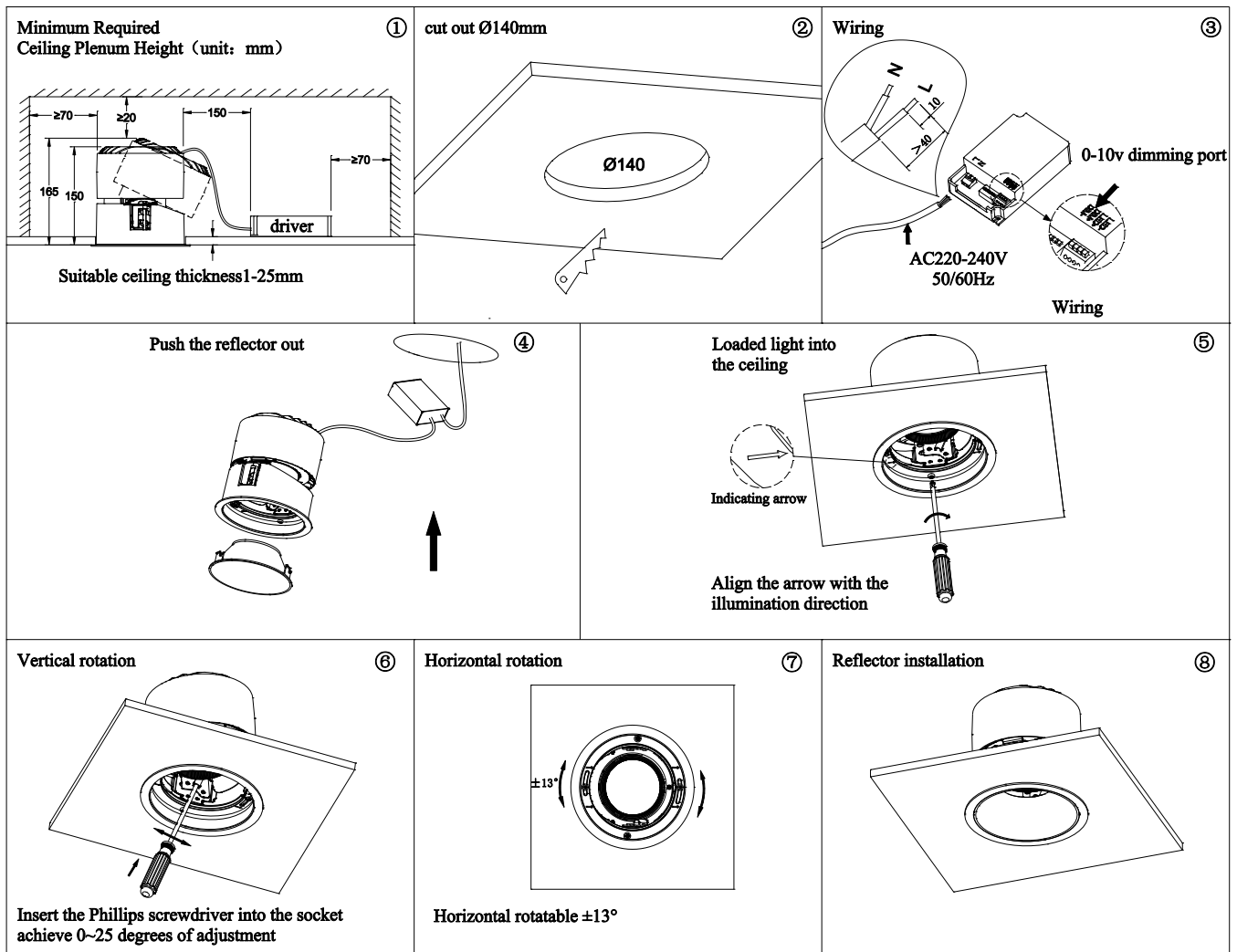
2. Downlight removing: pry up the small edge of the reflector by hand or with a flat-head screwdriver to pry out the reflector; Remove the luminaire by turning the mounting screw counterclockwise until the bracket is inserted into the radiator. Note: If using power tools, torque should not be too large.
3. Wall wash removing: you can easily take out the reflector by hand, and the rest of the steps are the same as the lamp.



Installation Precautions:

1. Please read through the Instructions before installation.
2. The product should be installed by a professional electrician.
3. Make sure the power supply is cut off before installation and maintenance, to avoid the risk of electric shock.
4. The light can be recessed on the ceiling, where sufficient space must be reserved for installation. Do not cover the light with any thermal insulation or consumable articles to avoid fire hazards.
5. In case of cracking of glass, please replace it immediately.
6. Do not install the light on an unstable or unsolid skylight, to avoid falling off.
7. Please keep this Instruction properly for future reference.

Light Installation and Wiring:



- * If the driver of the light comes with lead wires, Connect the input wires according to the wiring diagram on the driver according to the figure 3.
- * Light without driver comes with brown and blue lead wires, and it cannot be directly connected to 220V AC. Customer-provided driver shall match the specification of LED source.