

# PLANA PRO - MODEL: DDP21

Recessed Ceiling Luminaires

# WAC

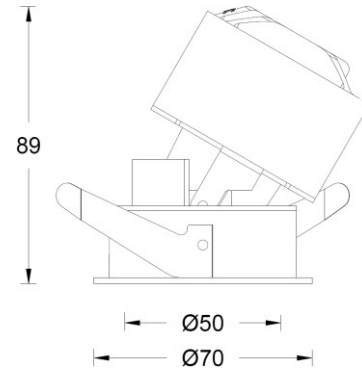
PROJECT:

TYPE:

## Product Image



## Line Drawing



## Product Description

PLANA downlight, the whole light is delicate and simple, with accurate light distribution, using SUBROSA hidden light technology, and has the ultimate anti-glare effect. It is mainly used in hotels and commercial public Spaces.

## Product Features

- Body Material: Aluminum alloy die-casting
- Optical System: Lens ++ Subrosa hidden light system
- Finish: Static electricity powder coating
- Adjustable Angle: Vertical: 0-30° , Horizontal: 0-355°
- Accessories: /
- Certification: CCC
- IP Rating: IP20
- Insulation Level: Class II
- Operating Temperature: -20°C~40°C

## Product Specifications

- Cut-out: Ø63mm
- Ceiling Thickness: 1mm~16mm
- Shielding Angle: 35°
- LED Type: High Power LED
- Source Lm: 800lm/8W
- LED Lifetime: >50000h-L70 /B10-Ta25°C(LM-80/TM-21)
- CCT/CRI: 2700K/ 3000K/ 4000K , Ra90
- SDCM : 3 SDCM ( 4000K 5SDCM )
- Input: 220V~240V AC / 50Hz
- Dimming: On-off /0~10V
- Net Weight: 0.45Kg without packing

## Order Model

Model	Size	Trim	LED	Driver	CCT	Beam	Reflector	Finish
<b>DDP</b>	<b>2</b>	<b>1</b>	<b>LD08</b>	<b>E</b> On-Off	<b>27</b> 2700K	<b>1</b> 15°	<b>B</b> Black	<b>WT</b>
Downlight	277	Round Trim	LED 8W	<b>D</b> 0-10V	<b>30</b> 3000K	<b>2</b> 24°	<b>S</b> Specular	White
Directional				Dimming	<b>40</b> 4000K	<b>3</b> 36°		
P series				<b>N</b> No Driver				

Example: DDP21-LD08E-302BWT

## Accessories

/

WAC Lighting  
www.waclighting.com (US)  
www.waclighting.com.cn (China)

Headquarters  
44 Harbor Park Drive • Port Washington, NY  
Phone (516) 515.5000 • Fax (516) 515.5050

WAC Lighting(Shanghai)  
14,Lane 299, Bi Sheng Road,Shanghai 201204  
Phone (86.21) 3393.3558 • Fax (86.21) 3362.1598

# PLANA PRO - MODEL: DDP21

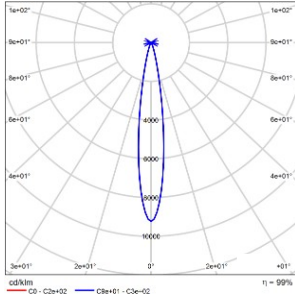
Recessed Ceiling Luminaires

# WAC

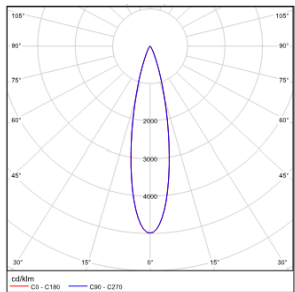
PROJECT:

TYPE:

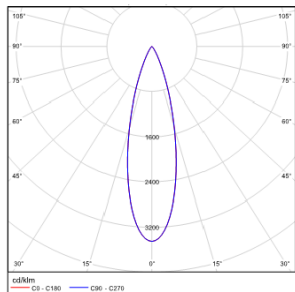
## LIGHT DISTRIBUTION@3000K LUMINAIRE DATA



<b>MODEL:</b>	DDP21-LD08E-301SWT
<b>BEAM ANGLE:</b>	15°
<b>POWER:</b>	10W
<b>LUMENS:</b>	436 lm
<b>CBCP:</b>	3121 cd
<b>EFFICACY:</b>	44 lm/W



<b>MODEL:</b>	DDP21-LD08E-302SWT
<b>BEAM ANGLE:</b>	24°
<b>POWER:</b>	10W
<b>LUMENS:</b>	438 lm
<b>CBCP:</b>	1608 cd
<b>EFFICACY:</b>	44 lm/W



<b>MODEL:</b>	DDP21-LD08E-303SWT
<b>BEAM ANGLE:</b>	36°
<b>POWER:</b>	10W
<b>LUMENS:</b>	437 lm
<b>CBCP:</b>	907 cd
<b>EFFICACY:</b>	44 lm/W

# PLANA PRO - MODEL: DDP31

Recessed Ceiling Luminaires

# WAC

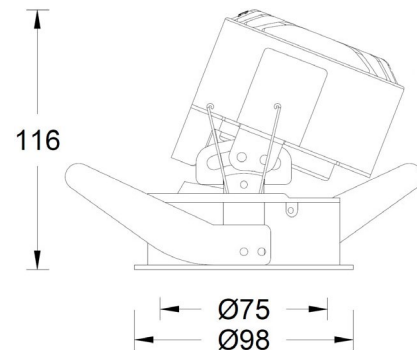
PROJECT:

TYPE:

Product Image



Line Drawing



## Product Description

PLANA downlight, the whole light is delicate and simple, with accurate light distribution, using SUBROSA hidden light technology, and has the ultimate anti-glare effect. It is mainly used in hotels and commercial public Spaces.

## Product Features

- Body Material: Aluminum alloy die-casting
- Optical System: Lens ++ Subrosa hidden light system
- Finish: Static electricity powder coating
- Adjustable Angle: Vertical: 0-30° , Horizontal: 0-355°
- Accessories: /
- Certification: CCC
- IP Rating: IP20
- Insulation Level: Class II
- Operating Temperature: -20°C~40°C

## Product Specifications

- Cut-out: Ø93mm
- Ceiling Thickness: 1mm~25mm
- Shielding Angle: 35°
- LED Type: COB
- Source Lm: 3000K : 1971lm/18W; 1463 lm/13W
- LED Lifetime: >50000h-L70 /B10-Ta25°C(LM-80/TM-21)
- CCT/CRI: 2700K/ 3000K/ 3500K/4000K/5000K Ra90
- SDCM : 3 SDCM
- Input: 220V~240V AC / 50Hz
- Dimming: On-off /0~10V
- Net Weight: 1.0Kg without packing

## Order Model

Model	Size	Trim	LED	Driver	CCT	Beam	Reflector	Finish
DDP Downlight Directional P series	3 3"	1 Round Trim	LM13 COB 13W	E On-Off	27 2700K	1 18°	B Black	WT
			LM18 COB 18W	D 0-10V	30 3000K	2 28°	S Specular	White
				Dimming	35 3500K	3 38°		
					40 4000K	4 48°		
			LM18 COB 18W	N No Driver	50 5000K	5 58°		

Example: DDP31-LM18E-302BWT

## Accessories

/

WAC Lighting  
www.waclighting.com (US)  
www.waclighting.com.cn (China)

Headquarters  
44 Harbor Park Drive • Port Washington, NY  
Phone (516) 515.5000 • Fax (516) 515.5050

WAC Lighting(Shanghai)  
14,Lane 299, Bi Sheng Road,Shanghai 201204  
Phone (86.21) 3393.3558 • Fax (86.21) 3362.1598

# PLANA PRO - MODEL: DDP31

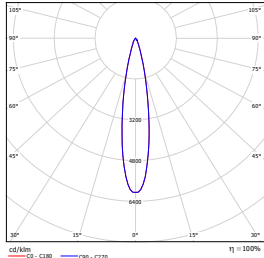
Recessed Ceiling Luminaires

# WAC

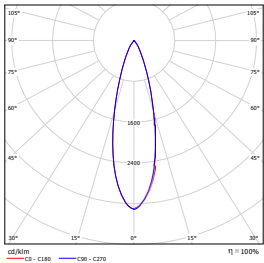
PROJECT:

TYPE:

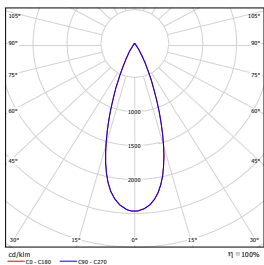
## LIGHT DISTRIBUTION@3000K LUMINAIRE DATA



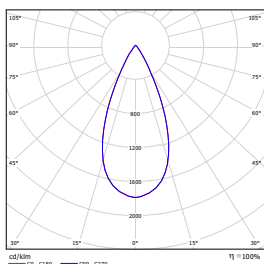
<b>MODEL:</b>	DDP31-LM13E-301SWT	DDP31-LM13E-301SWT
<b>BEAM ANGLE:</b>	18°	18°
<b>POWER:</b>	15W	21W
<b>LUMENS:</b>	815 lm	1101 lm
<b>CBCP:</b>	5528 cd	7398 cd
<b>EFFICACY:</b>	54 lm/W	52 lm/W



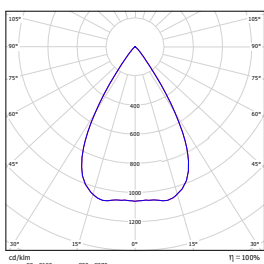
<b>MODEL:</b>	DDP31-LM13E-302SWT	DDP31-LM13E-302SWT
<b>BEAM ANGLE:</b>	28°	28°
<b>POWER:</b>	15W	21W
<b>LUMENS:</b>	830 lm	1113 lm
<b>CBCP:</b>	2978 cd	3996 cd
<b>EFFICACY:</b>	55 lm/W	53 lm/W



<b>MODEL:</b>	DDP31-LM13E-303SWT	DDP31-LM13E-303SWT
<b>BEAM ANGLE:</b>	38°	38°
<b>POWER:</b>	15W	21W
<b>LUMENS:</b>	958 lm	1260 lm
<b>CBCP:</b>	2432 cd	3200 cd
<b>EFFICACY:</b>	64 lm/W	60 lm/W



<b>MODEL:</b>	DDP31-LM13E-304SWT	DDP31-LM13E-304SWT
<b>BEAM ANGLE:</b>	48°	48°
<b>POWER:</b>	15W	21W
<b>LUMENS:</b>	919 lm	1242 lm
<b>CBCP:</b>	1625 cd	2196 cd
<b>EFFICACY:</b>	61 lm/W	59 lm/W



<b>MODEL:</b>	DDP31-LM13E-305SWT	DDP31-LM13E-305SWT
<b>BEAM ANGLE:</b>	58°	58°
<b>POWER:</b>	15W	21W
<b>LUMENS:</b>	915 lm	1251 lm
<b>CBCP:</b>	1490 cd	2033 cd
<b>EFFICACY:</b>	61 lm/W	60 lm/W

# PLANA PRO - MODEL: DDP41

Recessed Ceiling Luminaires

# WAC

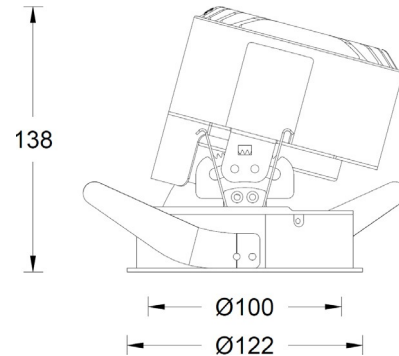
PROJECT:

TYPE:

## Product Image



## Line Drawing



## Product Description

PLANA downlight, the whole light is delicate and simple, with accurate light distribution, using SUBROSA hidden light technology, and has the ultimate anti-glare effect. It is mainly used in hotels and commercial public Spaces.

## Product Features

- Body Material: Aluminum alloy die-casting
- Optical System: Lens ++ Subrosa hidden light system
- Finish: Static electricity powder coating
- Adjustable Angle: Vertical: 0-30° , Horizontal: 0-355°
- Accessories: /
- Certification: CCC
- IP Rating: IP20
- Insulation Level: Class II
- Operating Temperature: -20°C~40°C

## Product Specifications

- Cut-out: Ø116mm
- Ceiling Thickness: 1mm~25mm
- Shielding Angle: 35°
- LED Type: COB
- Source Lm: 3000K : 2300lm/18W; 3100 lm/25W
- LED Lifetime: >50000h-L70 /B10-Ta25°C(LM-80/TM-21)
- CCT/CRI: 2700K/ 3000K/ 3500K/4000K/5000K Ra90
- SDCM : 3 SDCM
- Input: 220V~240V AC / 50Hz
- Dimming: On-off /0~10V
- Net Weight: 1.45Kg without packing

## Order Model

Model	Size	Trim	LED	Driver	CCT	Beam	Reflector	Finish
DDP Downlight Directional P series	4	I Round Trim	LM18	E On-Off	27 2700K	2 20°	B Black S Specular	WT White
	4"		COB 18W	D 0-10V Dimming	30 3000K	3 30°		
			LM25		35 3500K	4 40°		
			COB 25W		40 4000K	5 50°		
		LM25	N No Driver	50 5000K	6 60°			
			COB 25W					

Example: DDP41-LM18E-302BWT

## Accessories

/

# PLANA PRO - MODEL: DDP41

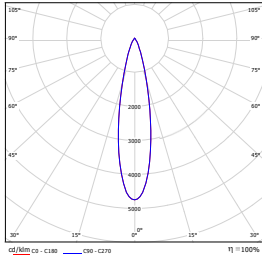
Recessed Ceiling Luminaires

# WAC

PROJECT:

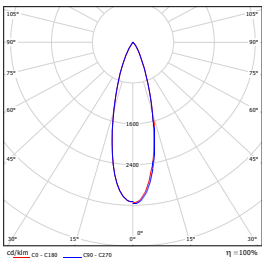
TYPE:

## LIGHT DISTRIBUTION@3000K LUMINAIRE DATA



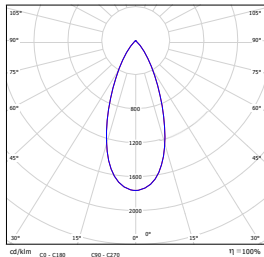
<b>MODEL:</b>	DDP41-LM18E-302SWT
<b>BEAM ANGLE:</b>	20°
<b>POWER:</b>	21W
<b>LUMENS:</b>	1559 lm
<b>CBCP:</b>	7364 cd
<b>EFFICACY:</b>	74 lm/W

<b>MODEL:</b>	DDP41-LM25E-302SWT
<b>BEAM ANGLE:</b>	20°
<b>POWER:</b>	29W
<b>LUMENS:</b>	1930 lm
<b>CBCP:</b>	9163 cd
<b>EFFICACY:</b>	67 lm/W



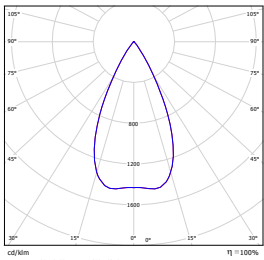
<b>MODEL:</b>	DDP41-LM18E-303SWT
<b>BEAM ANGLE:</b>	30°
<b>POWER:</b>	21W
<b>LUMENS:</b>	1424 lm
<b>CBCP:</b>	4741 cd
<b>EFFICACY:</b>	68 lm/W

<b>MODEL:</b>	DDP41-LM25E-303SWT
<b>BEAM ANGLE:</b>	30°
<b>POWER:</b>	29W
<b>LUMENS:</b>	1746 lm
<b>CBCP:</b>	5857 cd
<b>EFFICACY:</b>	60 lm/W



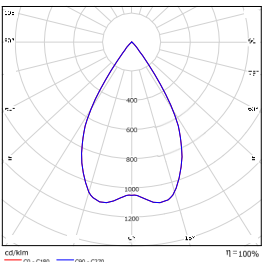
<b>MODEL:</b>	DDP41-LM18E-304SWT
<b>BEAM ANGLE:</b>	40°
<b>POWER:</b>	21W
<b>LUMENS:</b>	1452 lm
<b>CBCP:</b>	2735 cd
<b>EFFICACY:</b>	69 lm/W

<b>MODEL:</b>	DDP41-LM25E-304SWT
<b>BEAM ANGLE:</b>	40°
<b>POWER:</b>	29W
<b>LUMENS:</b>	1795 lm
<b>CBCP:</b>	3408 cd
<b>EFFICACY:</b>	62 lm/W



<b>MODEL:</b>	DDP41-LM18E-305SWT
<b>BEAM ANGLE:</b>	50°
<b>POWER:</b>	21W
<b>LUMENS:</b>	1760 lm
<b>CBCP:</b>	2776 cd
<b>EFFICACY:</b>	84 lm/W

<b>MODEL:</b>	DDP41-LM25E-305SWT
<b>BEAM ANGLE:</b>	50°
<b>POWER:</b>	29W
<b>LUMENS:</b>	2174 lm
<b>CBCP:</b>	3497 cd
<b>EFFICACY:</b>	75 lm/W



<b>MODEL:</b>	DDP41-LM18E-306SWT
<b>BEAM ANGLE:</b>	60°
<b>POWER:</b>	21W
<b>LUMENS:</b>	1649 lm
<b>CBCP:</b>	2226 cd
<b>EFFICACY:</b>	79 lm/W

<b>MODEL:</b>	DDP41-LM25E-306SWT
<b>BEAM ANGLE:</b>	60°
<b>POWER:</b>	29W
<b>LUMENS:</b>	2050 lm
<b>CBCP:</b>	2754 cd
<b>EFFICACY:</b>	71 lm/W

# PLANA PRO - MODEL: DDP51

Recessed Ceiling Luminaires

# WAC

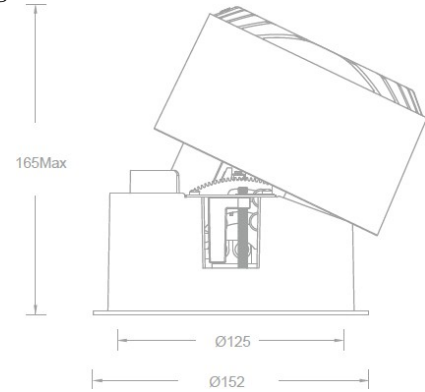
PROJECT:

TYPE:

## Product Image



## Line Drawing



## Product Description

PLANA downlight, the whole light is delicate and simple, with accurate light distribution, using SUBROSA hidden light technology, and has the ultimate anti-glare effect. It is mainly used in hotels and commercial public Spaces.

## Product Features

- Body Material: Aluminum alloy die-casting
- Optical System: Lens ++ Reflector
- Finish: Static electricity powder coating
- Adjustable Angle: Vertical: 0-25° , Horizontal: 0-26°
- Accessories: Honeycomb
- Certification: CCC
- IP Rating: IP20
- Insulation Level: Class II
- Operating Temperature: -20°C~40°C

## Product Specifications

- Cut-out: Ø140mm
- Ceiling Thickness: 1mm~25mm
- Shielding Angle: 35°
- LED Type: COB
- Source Lm: 32W 3000K 3830lm; 40W 3000K 4500lm
- LED Lifetime: >50000h-L70 /B10-Ta25°C(LM-80/TM-21)
- CCT/CRI: 2700K/ 3000K/ 3500K/4000K/5000K Ra90
- SDCM : 3 SDCM
- Input: 220V~240V AC / 50Hz
- Dimming: On-off /0~10V
- Net Weight: 1.95Kg without packing

## Order Model

Model	Size	Trim	LED	Driver	Beam	CCT	Reflector	Finish
DDP Downlight P series	5"	1 Round Trim	LM32 COB 32W	E ON-OFF	1 15°	27 2700K	S Specular	WT White
			LM40 COB 40W	D 0-10V Dimming	2 24°	30 3000K	B Black	BK Black
					3 36°	35 3500K		
			LM40 COB 40W	N No Driver	5 55°	40 4000K 50 5000K		

Example: DDP51-LM40E-230SWT

WAC Lighting  
www.waclighting.com (US)  
www.waclighting.com.cn (China)

Headquarters  
44 Harbor Park Drive • Port Washington, NY  
Phone (516) 515.5000 • Fax (516) 515.5050

WAC Lighting Technology (Shanghai) Co, Ltd.  
14, Lane 299, Bi Sheng Road, Shanghai 201204  
Phone (86.21) 3393.3558 • Fax (86.21) 3362.1598

# PLANA PRO - MODEL: DDP51

Recessed Ceiling Luminaires

# WAC

PROJECT:

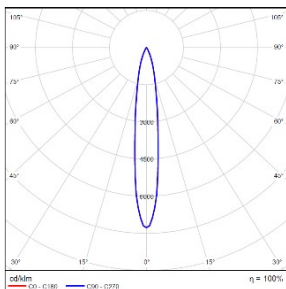
TYPE:

## Accessories

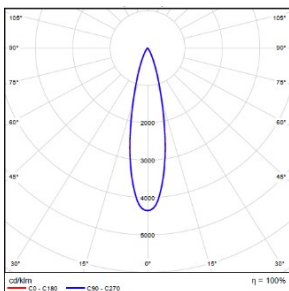
**LENS-DDP51-HCL**  
Honeycomb



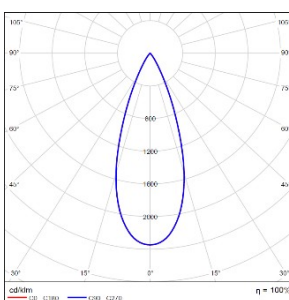
## LIGHT DISTRIBUTION@3000K LUMINAIRE DATA



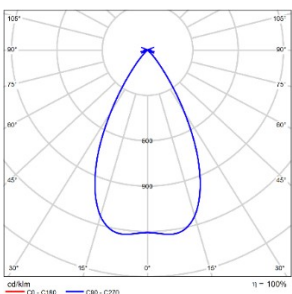
<b>MODEL:</b>	DDP51-LM32E-130SWT	DDP51-LM40E-130SWT
<b>BEAM ANGLE:</b>	15°	15°
<b>POWER:</b>	35 W	43 W
<b>LUMENS:</b>	2529 lm	3003 lm
<b>CBCP:</b>	27336 cd	31741 cd
<b>EFFICACY:</b>	72 lm/W	70 lm/W



<b>MODEL:</b>	DDP51-LM32E-230SWT	DDP51-LM40E-230SWT
<b>BEAM ANGLE:</b>	24°	24°
<b>POWER:</b>	35 W	43 W
<b>LUMENS:</b>	3246 lm	3798 lm
<b>CBCP:</b>	15203 cd	17789 cd
<b>EFFICACY:</b>	93 lm/W	88 lm/W



<b>MODEL:</b>	DDP51-LM32E-330SWT	DDP51-LM40E-330SWT
<b>BEAM ANGLE:</b>	36°	36°
<b>POWER:</b>	35 W	43 W
<b>LUMENS:</b>	3119 lm	3649 lm
<b>CBCP:</b>	7645 cd	8945 cd
<b>EFFICACY:</b>	89 lm/W	85 lm/W



<b>MODEL:</b>	DDP51-LM32E-530SWT	DDP51-LM40E-530SWT
<b>BEAM ANGLE:</b>	55°	55°
<b>POWER:</b>	35 W	43 W
<b>LUMENS:</b>	3002 lm	3513 lm
<b>CBCP:</b>	3623 cd	4240 cd
<b>EFFICACY:</b>	86 lm/W	82 lm/W