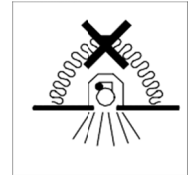


Installation Precautions:

1. Please read through the Instructions before installation.
2. The product should be installed by a professional electrician.
3. Make sure the power supply is cut off before installation and maintenance, to avoid the risk of electric shock.
4. This lamp is only suitable for indoor installation and use (cannot be used in humid environments)
5. Please keep this Instruction properly for future reference.

Warning: The light can be recessed on the ceiling, where sufficient space must be reserved for installation. Do not cover the light with any thermal insulation or consumable articles to avoid fire hazards.



Light Installation and Wiring:

Model	Cutout dimension	Minimum installation space (h)	Range of installable ceiling thickness (D)
LLAR5-LD02*	39×39mm	90mm	1~25mm
LLAR5-LD08*	124×38mm	90mm	1~25mm
LLAR5-LD16*	236×38mm	90mm	1~25mm
LLAR5-LD32*	460×38mm	90mm	1~25mm

1. Select the corresponding ceiling opening size according to the specifications and models of the lighting fixtures, and pre open the installation holes for the lighting fixtures on the ceiling (as shown in Figure 1);

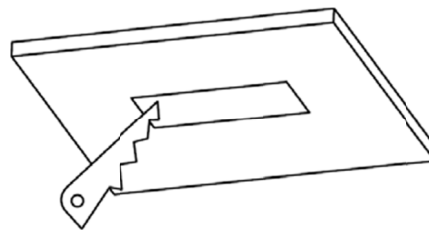


Figure 1

2. Open the junction box cover and insert the positive and negative terminals of the mains power into the L and N terminals of the wiring terminal. Insert the dimming control wire into the "+" and "-" holes of the wiring terminal. After wiring is completed, replace the junction box cover (as shown in Figure 2);

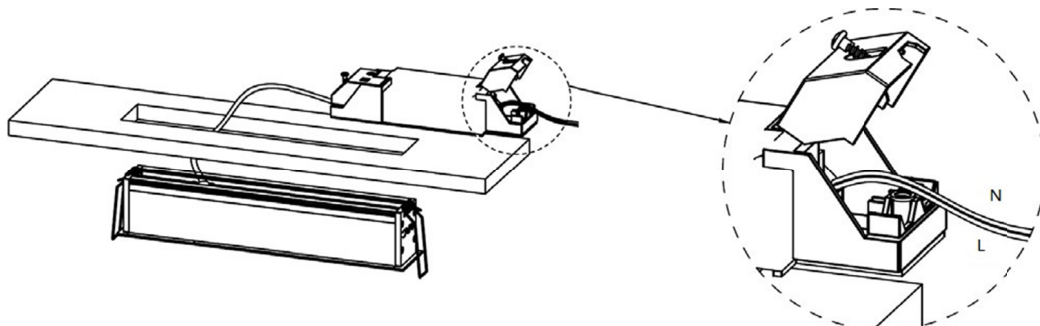


Figure 2

3. If the driver of the lamp comes with a lead wire, and this connecting lead wire needs to be connected to an independent terminal block (refer to the wiring diagram in Figure 3), the size of each terminal block should not be less than 10x20x25mm.
4. After connecting the wires, first insert the driver or junction box into the interior of the ceiling through the ceiling opening; Then twist the springs at both ends by hand and install the lamp into the ceiling opening. (Figure 4)

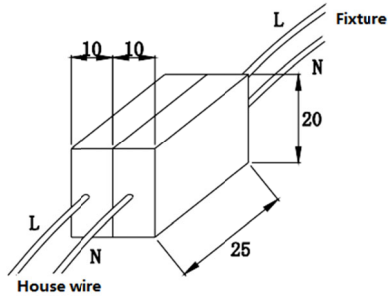


Figure 3

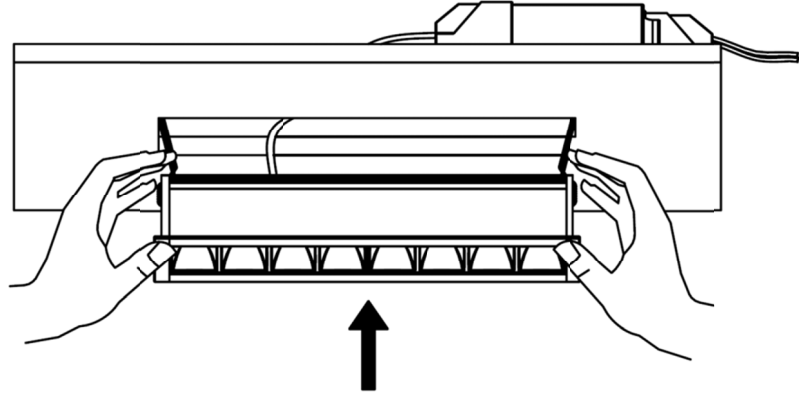


Figure4

Replacing and repairing lighting fixtures:

When replacing or repairing lamps, the disassembly process is opposite to the installation sequence. When disassembling, it is necessary to hold the lamp to prevent it from falling.