

RUYI II- T UÖÖŠKÖÖY G

Windows Light Luminaires

WAC

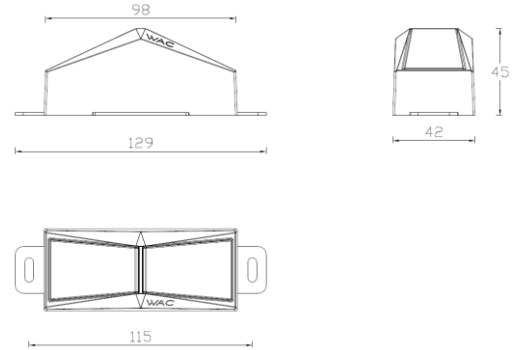
PROJECT:

Light position number :

Product Image



Line Drawing



Product Description

Windows Light Lamp body aluminum die casting, high temperature powder spraying, Compact size and highly recognizable exterior design, Suitable for outdoor environment, IP65 protection class. With sheet metal fasteners, easy to install. The luminaire is reliably fixed on the mounting surface. High transmittance lens, applied to building facades, windowsills, etc.

Product Features

- Body Material: Aluminum die cast lamp body
- Optical System: lens
- Surface treatment: Electrostatic powder spraying
- Projection direction: /
- Accessories/Brackets: /
- Safety certification: CQC
- IP Rating: IP65
- Insulation Level: Class III
- Operating Temperature: -20°C~50°C

Product Specifications

- **Light source type:** HIGH POWER
- **Light source power:** 8W Max
- **Source Lm:** 3000K 790lm/3000K 820lm/3000K 850lm
- **LED Lifetime:** >50000h-L70 /B10-Ta25°C(LM-80/TM-21)
- **CCT/CRI:** 2700K,3000K,4000K,Ra>90
- **SDCM:** 5 SDCM
- **Input voltage:** 24V DC
- **Dimming:** 24V DC ON-OFF / DMX512
- **Net Weight:** 0.5Kg without packing

Order Model

Model	Power (W)	LEDs (quantity)	Max Lumens (lm)	Control Systems	Beam	CCT	Finish
EDW2	8 8W(Max)	2	265	ET ON-OFF 24V DC Power Supply MT DMX512 24V DC Power Supply	1 10°*180°	27 2700K 30 3000K 40 4000K	BK Black

Example : EDW2-08ET-127BK

