

Product Model:

This installation manual is applicable to the LIGNE PRO Large series lighting fixtures, including models OR140DL * (bottom light without edge), OR150AL * (angle adjustment without edge), OR140WL * (wall washing without edge), etc. The "*" includes information on different powers, control systems, color temperatures, face frames, and appearance colors of the lighting fixtures.

Installation Precautions:

1. Please read through the Instructions before installation.
2. The product should be installed by a professional electrician.
3. Make sure the power supply is cut off before installation and maintenance, to avoid the risk of electric shock.
4. The light can be recessed on the ceiling, where sufficient space must be reserved for installation. Do not cover the light with any thermal insulation or consumable articles to avoid fire hazards.
5. Do not install the light on an unstable or unsolid skylight, to avoid falling off.
6. Please keep this Instruction properly for future reference.

Light Installation:

specifications and models	Ceiling opening size (mm)	Minimum installation height mm (h)	Ceiling thickness mm
OR140DL-06*	95×52	104	5~25
OR150AL-06*	106×63	115	5~25
OR140DL-11*	171×52	104	5~25
OR140WL-11*		104	5~25
OR150AL-11*	183×63	115	5~25
OR140DL-22*	323×52	104	5~25
OR140WL-22*		104	5~25
OR150AL-22*	336×63	115	5~25
OR140DL-32*	473×52	104	5~25
OR140WL-32*		104	5~25
OR150AL-32*	490×63	115	5~25

1. Select the corresponding ceiling opening size according to the specifications and models of the lighting fixtures, make installation holes for the borderless mesh plate on the ceiling, lock the borderless mesh plate on the ceiling with self tapping screws, and finally use lime to smooth the surrounding area of the borderless mesh plate, as shown in Figure 1.

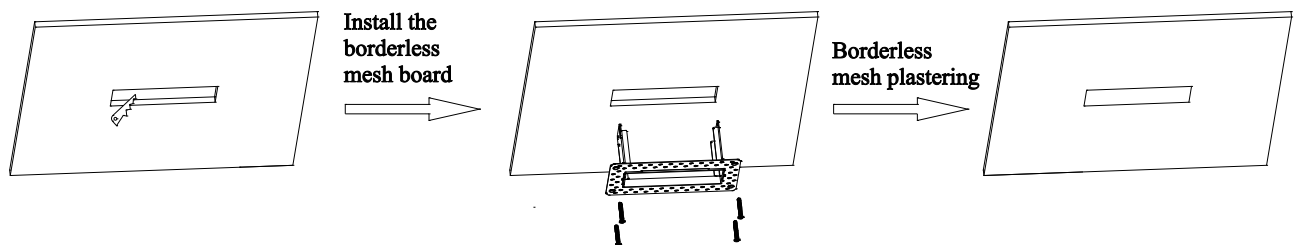
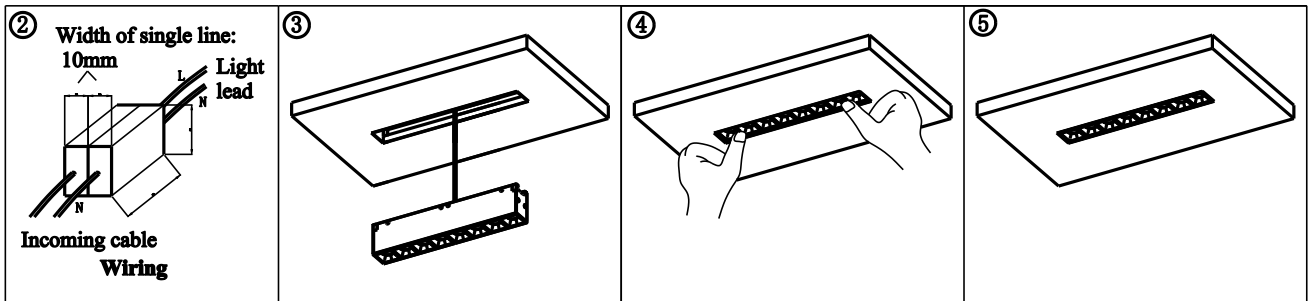


Figure 1

2. Open the drive input terminal box cover, insert the positive and negative terminals of the mains power into the L and N terminals of the wiring terminals, and after wiring is completed, replace the box cover; If the lamp is a dimming model, open the drive output terminal box cover and insert the dimming control wire into the "10V+" and "10V -" holes of the wiring terminal. After wiring is completed, the box cover needs to be replaced.3. Make sure the power supply is cut off before installation and maintenance, to avoid the risk of electric shock.
3. The driver of the lighting fixture comes with a lead wire, which needs to be connected to an independent terminal block (refer to the schematic diagram in Figure 2 for wiring). The size of each terminal block should not be less than 10x20x25mm.
4. After connecting the wires, first insert the driver into the interior of the ceiling through the opening, and then install the lamp into the opening of the borderless mesh board. Press lightly with your hand for a distance until you hear a "tick" sound. Install the lamp in the designated position, as shown in Figures 3, 4, and 5.
5. When it is necessary to remove the lamp from the ceiling, press the lamp upwards with your hand and hear a ticking sound, and the lamp will separate from the borderless mesh board.7. Please keep this Instruction properly for future reference.



Lamp adjustment angle:

For lamps with angle adjustment model (OR150AL *), the lighting angle can be adjusted in both directions. Insert a flat screwdriver into the slots on both sides of the lamp, allowing for adjustment of the lighting angle within a range of $\pm 35^\circ$, as shown in Figures 6 and 7.

