

LANNE PRO - MODEL: ER25F



Recessed Ceiling Luminaires

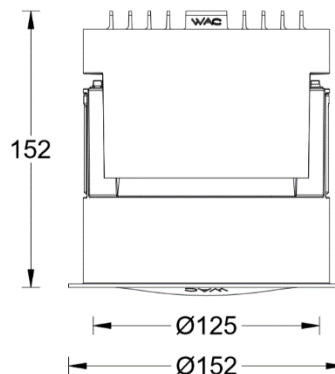
PROJECT:

Light position number:

Product Image



Line Drawing



Product Description

LANNE PRO wall wash downlight, the whole light is exquisite and simple, using LiteBrush® optical system, to ensure that there is no dark area on the top of the wall, uniform wall washing, and has a good anti-glare effect. Mainly applicable to hotels and commercial areas..

Product Features

- Body Material: Aluminum alloy die-casting lamp body
- Optical System: Aluminum alloy die-cast lamp body LiteBrush® Light waterfall wall washing system
- Finish: Electrostatic powder spraying
- Projection direction: /
- Accessories/Brackets: /
- Safety certification: CCC
- IP Rating: IP65
- Insulation Level: Class I
- Operating Temperature: -20°C~40°C

Product Specifications

- Opening size: Ø145mm
- Ceiling thickness: 1mm~45mm
- Shading Angle: /
- Light source type: COB
- Source Lm: 3000K:32W 3830lm; 40W 4500lm
- LED Lifetime:>50000h-L70 / B10-Ta25°C(LM-80/TM-21)
- CCT/CRI: 2700K/3000K/3500K/4000K/5000K, Ra90
- SDCM: 3SDCM
- Input voltage: 220V~240V AC/50Hz
- Dimming: No dimmer/0-10V control (must be tested with the project site system in advance)
- Net Weight: 2.16Kg without packing

Order Model

Model	Size	Comment	LED Power	Driver	Beam	CCT	Reflector	Finish
ER2	5 5"	F Frame	32 32W 40 40W	EL On-Off	W WASH	27 2700K	B Black	WT White
				220V AC Power Supply		30 3000K		
				DL 0-10V Dimming		35 3500K		
				220V AC Power Supply		40 4000K		
						50 5000K		

Example: ER25F-32EL-W30BWT

Accessories

WAC Lighting
www.waclighting.com (US)
www.waclighting.com.cn (China)

Headquarters
44 Harbor Park Drive • Port Washington, NY
Phone (516) 515.5000 • Fax (516) 515.5050

WAC Lighting(Shanghai)
14,Lane 299, Bi Sheng Road,Shanghai 201204
Phone (86.21) 3393.3558 • Fax (86.21) 3362.1598

LANNE PRO - MODEL: ER25F

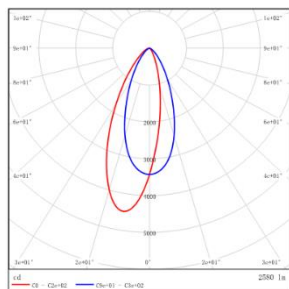


Recessed Ceiling Luminaires

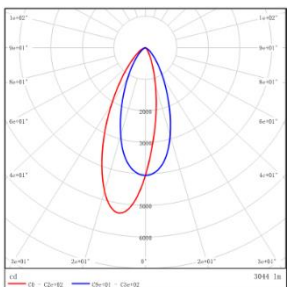
PROJECT:

Light position number:

LIGHT DISTRIBUTION@3000K LUMINAIRE DATA



MODEL: ER25F-32EL-W30BWT
BEAM ANGLE: /
POWER: 35.8W
LUMENS: 2580lm
CBCP: /
EFFICACY: 72.1lm/W



MODEL: ER25F-40EL-W30BWT
BEAM ANGLE: /
POWER: 45.5W
LUMENS: 3044lm
CBCP: /
EFFICACY: 66.9lm/W