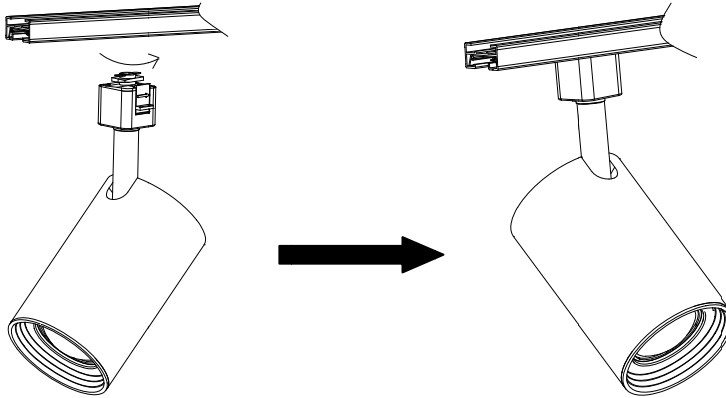


## Installation Precautions:

1. Please read the instructions carefully before installation;
2. This lamp is only applicable to WAC J series track, if you need to match with other manufacturers' track, please consult the technical department of the factory in advance;
3. Installation by qualified electricians;
4. In order to avoid the risk of electric shock, please confirm to turn off the power supply before installation, maintenance and lighting;
5. Only suitable for indoor installation (not for humid environment);
6. The light source of this lamp is not replaceable, once it needs to be replaced (such as the end of the life of the light source), the entire lamp should be replaced;
7. Keep the manual for reference.

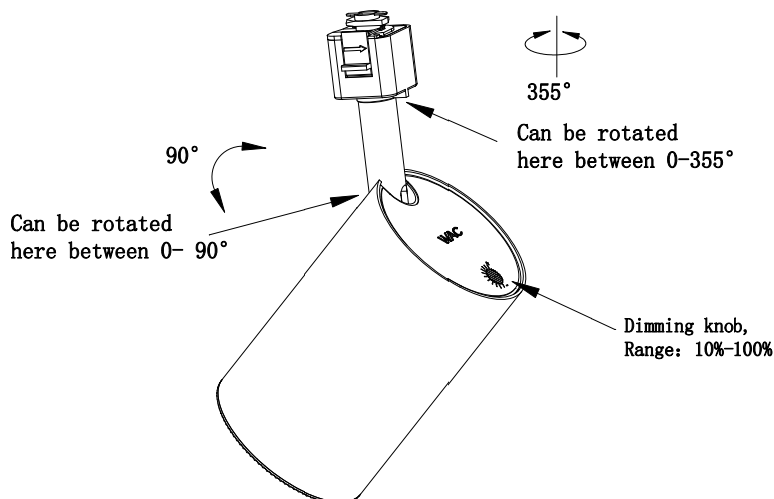
## Light Installation

1. Note that there is a small groove along one side of the track to indicate polarity;
2. There is an indicating arrow on the clamp of the lamp connector. Place the arrow on the same side of the small groove of the track and parallel with it. Then insert the lamp connector into the track and turn it clockwise by 90°. (Ensure that the tenon of the lamp connector is stuck in the track and the lamp is fixed on the track);
3. If you need to remove the lamp from the track, press the opposite operation;
4. The track light can be installed in any position along the track, but it is necessary to ensure that the track can withstand the weight of the newly added lamp.



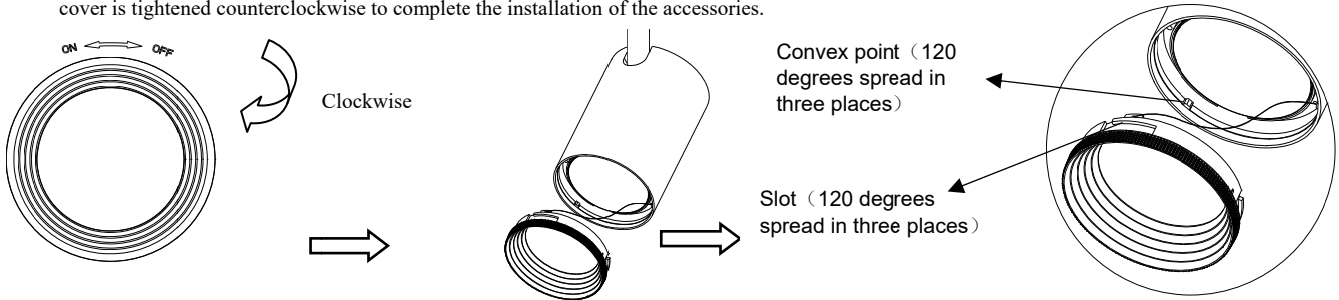
## Light Adjustable:

1. The lamp can rotate 355 degrees horizontally and 90 degrees vertically, as shown in the figure below.
2. Lamp with knob dimming function: rotate the dimming knob of the back cover to adjust the brightness of the lamp, the dimming range is: 10%-100%;

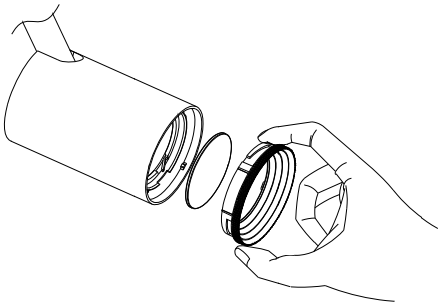


#### Installation of accessories (accessories purchased separately):

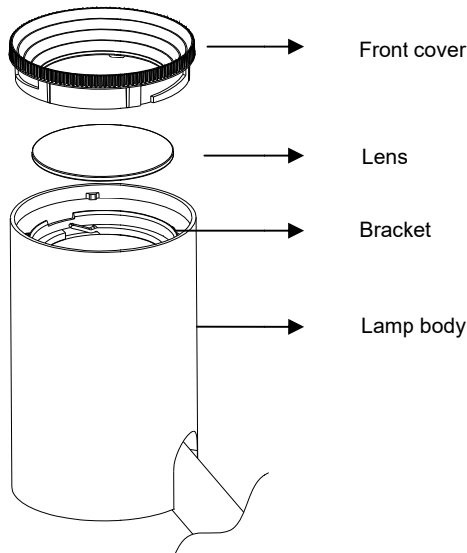
1. Turn the front cover clockwise until it stops moving, and remove the front cover from the lamp by hand.
2. After the lens or other accessories are replaced, the opening on the side of the front cover is aligned with the convex point on the lamp body, and the front cover is tightened counterclockwise to complete the installation of the accessories.



1. For glass accessories, please refer to the specification book and the instructions for removing and replacing the new glass:

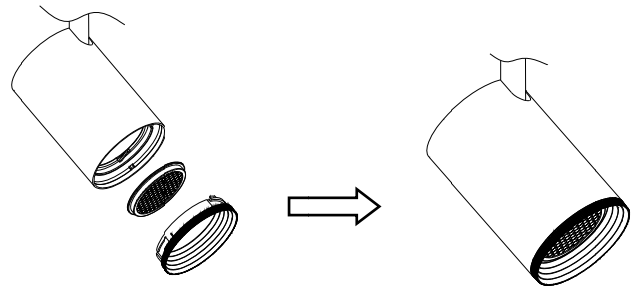


As shown in the figure above, the front cover will be rotated clockwise by hand. When it is not moved, the front cover will be removed from the lamp by hand, and the new lens can be put into the lamp by taking out the lens accessories.



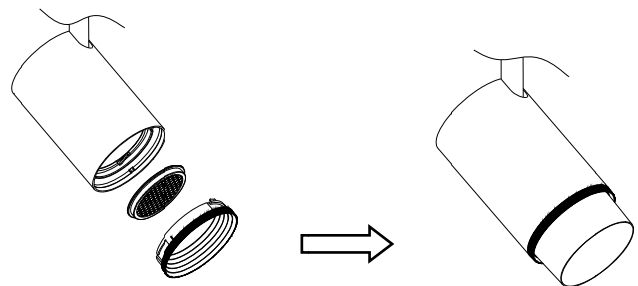
2. Please refer to the specifications for cellular accessories, and the instructions for dismantling the honeycomb:

- a. Take out the front cover and hang it on the lamp, and install the honeycomb into the fixed bracket, as shown in the following figure;
- b. Insert the front cover into the lamp body and tighten it counterclockwise as shown below.



3. Snoot accessories please refer to the specification, disassembling snoot instructions:

- a. Take out the front cover and put the honeycomb (or other accessories) into the fixed bracket, as shown below;
- b. Put the snoot into the lamp body and tighten it counter clockwise.



**Note:** When replacing the parts, the snoot and the honeycomb can be installed at the same time.