

# VOLTA - MODEL: DLT05

## Recessed Ceiling Luminaires

# WAC

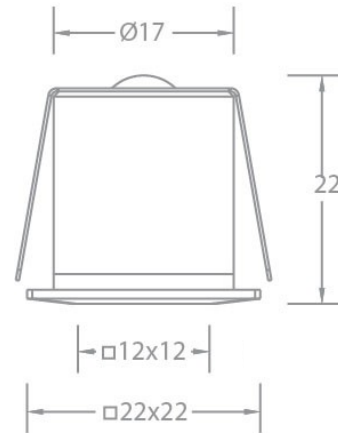
PROJECT:

TYPE:

### Product Image



### Line Drawing



### Product Description

VOLTA series mini square downlight, simple appearance, delicate size, the use of lens light distribution, with accurate light Angle, and has the ultimate anti-glare effect. It can be used in hotels and commercial public spaces.

### Product Features

- Body Material: Aluminum alloy die-casting
- Optical System: Lens
- Finish: Static electricity powder coating
- Adjustable Angle: /
- Accessories: 17°、24°、36°(with honeycomb)
- Certification: CCC
- IP Rating: IP20
- Insulation Level: Class II
- Operating Temperature: -20°C~40°C

### Product Specifications

- Cut-out:  $\varnothing 18$
- Ceiling Thickness: 1mm~15mm
- Shielding Angle: 15°
- LED Type: High Power LED
- Source Lm: 3000K:100lm; 4000K: 110lm
- LED Lifetime: >50000h-L70 /B10-Ta25°C(LM-80/TM-21)
- CCT/CRI: 2700K/ 3000K/3500K/4000K, Ra90
- SDCM: 3 SDCM
- Input: 24V DC
- Dimming: DMX512(24V DC)
- Net Weight: 0.01Kg without packing

### Order Model

Model	Size	Trim	LED	Driver	Beam	CCT	Reflector	Finish
DLT Downlight Directional T series	0 0.5"	5 Square Trim	LD01 LED 1W	T DMX512(24VDC)	1 17°	27 2700K	W White	WT White
				M MTB *	2 24°	30 3000K		
				N No Driver	3 36°	35 3500K	B Black	BK Black
					6 60°	40 4000K		

Example: DLT05-LD01N-230WWT

**Note:** In addition to 60°, others are delivered with honeycomb. MTB must be ordered separately and cannot be directly connected to the 220V AC (MTB: <https://www.waclighting.com.cn/product-detail/300>)

**VOLTA - MODEL: DLT05**  
**Recessed Ceiling Luminaires**



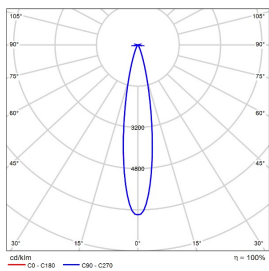
PROJECT:

TYPE:

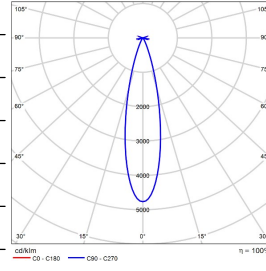
**Accessory**

/

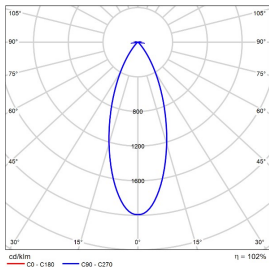
**LIGHT DISTRIBUTION@3000K LUMINAIRE DATA**



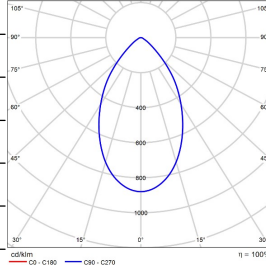
**Model :** DLT05-LD01T-130WWT  
**Beam :** 17°  
**Power :** 1.5W  
**Lumens :** 41lm  
**CBCP :** 271cd  
**Efficacy:** 27lm/W



**Model :** DLT05-LD01T-230WWT  
**Beam :** 24°  
**Power :** 1.5W  
**Lumens :** 37lm  
**CBCP :** 178cd  
**Efficacy :** 25lm/W



**Model :** DLT05-LD01T-330WWT  
**Beam :** 36°  
**Power :** 1.5W  
**lumens :** 27lm  
**CBCP :** 53cd  
**Efficacy:** 18lm/W



**Model :** DLT05-LD01T--630WWT  
**Beam :** 60°  
**Power :** 1.5W  
**Lumens :** 63lm  
**CBCP :** 55cd  
**Efficacy :** 42lm/W

**VOLTA- MODEL: DDT15**  
**1 IN SQUARE RECESSED ADJUSTABLE**



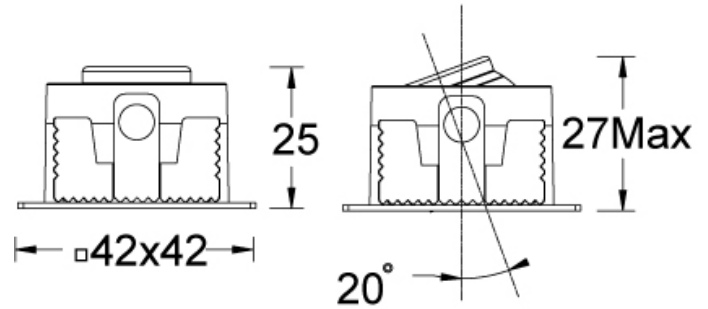
PROJECT:

TYPE:

**Product Image**



**Line Drawing**



**Product Description**

VOLTA series LED square narrow side embedded downlight, simple appearance, delicate size, can be used for bottom or angle adjustment. Using lens + honeycomb light distribution, with accurate light Angle, and has the ultimate anti-glare effect. It can be used in hotels and commercial public spaces.

**Product Features**

- Body Material: Aluminum alloy die-casting
- Optical System: Lens
- Finish: Static electricity powder coating
- Adjustable Angle: H (0~360°)  
V (-20°~ 20°)
- Accessories: Honeycomb
- Certification: CCC
- IP Rating: IP20
- Insulation Level: Class II
- Operating Temperature: -20°C~40°C

**Product Specifications**

- Cut-out: 36x36mm
- Ceiling Thickness: 1mm~15mm
- Shielding Angle: 15°
- LED Type: High Power LED
- Source Lm: 2700K:170lm;3000K:175lm; 4000K: 185lm
- LED Lifetime: >50000h-L70 /B10-Ta25°C(LM-80/TM-21)
- CCT/CRI: 2700K/ 3000K/4000K, Ra90
- SDCM: 3 SDCM
- Input: 220V~240V AC / 50Hz
- Dimming: ON/OFF
- Net Weight: 0.1Kg without packing

**Order Model**

Model	Size	Trim	LED	Driver	Beam	CCT	Reflector	Finish		
<b>DDT</b> Downlight Directional T series	1"	Square Trim	LD02 LED 2W	E On-Off N No Driver	1	12°	27	2700K	W White	WT White
					2	24°		30		
					3	36°		35	3500K	
					5	55°		40	4000K	B Black

Example: DDP15-LD02E-230WWT

**VOLTA- MODEL: DDT15**  
**1 IN SQUARE RECESSED ADJUSTABLE**



PROJECT:

TYPE:

**Accessory**

/

**LIGHT DISTRIBUTION@3000K LUMINAIRE DATA**

	<p><b>Model :</b> DDT15-LD02E-130WWT  <b>Beam :</b> 12°  <b>Power :</b> 4W  <b>Lumens :</b> 91lm  <b>CBCP :</b> 1122cd  <b>Efficacy :</b> 23lm/W</p>		<p><b>Model :</b> DDT15-LD02E-230WWT  <b>Beam :</b> 24°  <b>Power :</b> 4W  <b>Lumens :</b> 95lm  <b>CBCP :</b> 390cd  <b>Efficacy :</b> 24lm/W</p>
	<p><b>Model :</b> DDT15-LD02E-330WWT  <b>Beam :</b> 36°  <b>Power :</b> 4W  <b>lumens :</b> 89lm  <b>CBCP :</b> 211cd  <b>Efficacy :</b> 22lm/W</p>		<p><b>Model :</b> DDT15-LD02E-530WWT  <b>Beam :</b> 55°  <b>Power :</b> 4W  <b>Lumens :</b> 74lm  <b>CBCP :</b> 88cd  <b>Efficacy :</b> 19lm/W</p>

**VOLTA- MODEL: DDT15**  
**1 IN SQUARE RECESSED ADJUSTABLE**



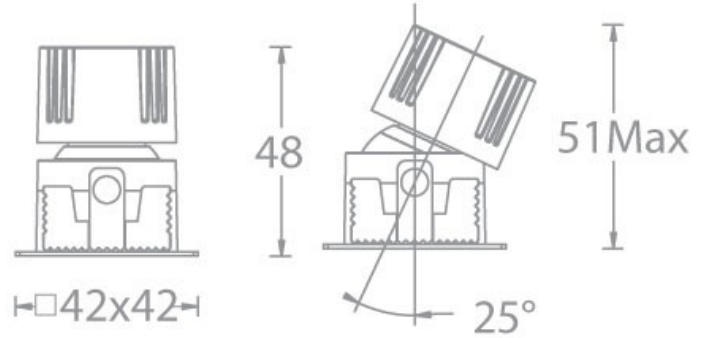
PROJECT:

TYPE:

**Product Image**



**Line Drawing**



**Product Description**

VOLTA series LED square narrow side embedded downlight, simple appearance, delicate size, can be used for bottom or angle adjustment. Using lens + honeycomb light distribution, with accurate light Angle, and has the ultimate anti-glare effect. It can be used in hotels and commercial public spaces.

**Product Features**

- Body Material: Aluminum alloy die-casting
- Optical System: Lens+honeycomb
- Finish: Static electricity powder coating
- Adjustable Angle: V (0°~25°)
- Accessories: With honeycomb
- Certification: CCC
- IP Rating: IP20
- Insulation Level: Class II
- Operating Temperature: -20°C~40°C

**Product Specifications**

- Cut-out: 36x36mm
- Ceiling Thickness: 1mm~15mm
- Shielding Angle: 15°
- LED Type: High Power LED
- Source Lm: 2700K:474lm;3000K:500lm; 3500K: 522lm  
4000K:531lm;5000K:538lm;
- LED Lifetime: >50000h-L70 /B10-Ta25°C(LM-80/TM-21)
- CCT/CRI: 2700K/ 3000K/3500K/4000K/5000K, Ra90
- SDCM: Class II  
3 SDCM
- Input: 220V~240V AC / 50Hz
- Dimming: ON/OFF/0-10V/DALI
- Net Weight: 0.1Kg without packing

**Order Model**

Model	Size	Trim	LED	Driver	Beam	CCT	Reflector	Finish
DDT Downlight Directional T series	1 1"	5 Square Trim	LD05 LED 5W	E On-Off D 0-10V Dimming A DALI N No Driver	1 15° 2 24° 3 36° 5 50°	27 2700K 30 3000K 35 3500K 40 4000K 50 5000K	WT White BK Black	WT White BK Black

Example: DDT15-LD05E-230WWT

**VOLTA- MODEL: DDT15**  
**1 IN SQUARE RECESSED ADJUSTABLE**



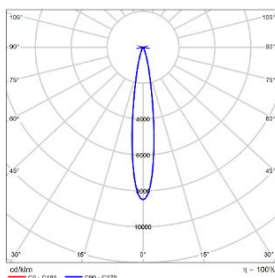
PROJECT:

TYPE:

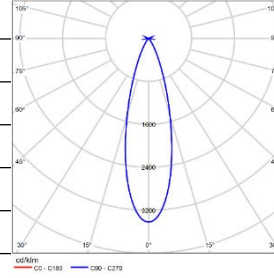
**Accessory**

/

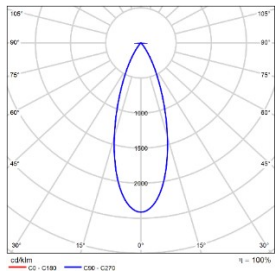
**LIGHT DISTRIBUTION@3000K LUMINAIRE DATA**



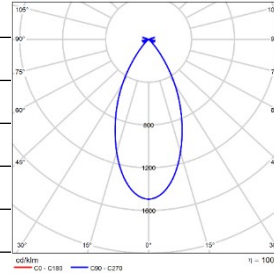
**Model :** DDT25-LD08E-130SWT  
**Beam :** 15°  
**Power :** 5.5W  
**Lumens :** 274lm  
**CBCP :** 2185cd  
**Efficacy:** 50lm/W



**Model :** DDT25-LD08E-230SWT  
**Beam :** 24°  
**Power :** 5.5W  
**Lumens :** 235lm  
**CBCP :** 914cd  
**Efficacy :** 43lm/W



**Model :** DDT25-LD08E-330SWT  
**Beam :** 36°  
**Power :** 5.5W  
**Lumens :** 218lm  
**CBCP :** 477cd  
**Efficacy:** 40lm/W



**Model :** DDT25-LD08E-530SWT  
**Beam :** 50°  
**Power :** 5.5W  
**Lumens :** 184lm  
**CBCP :** 281cd  
**Efficacy :** 33lm/W