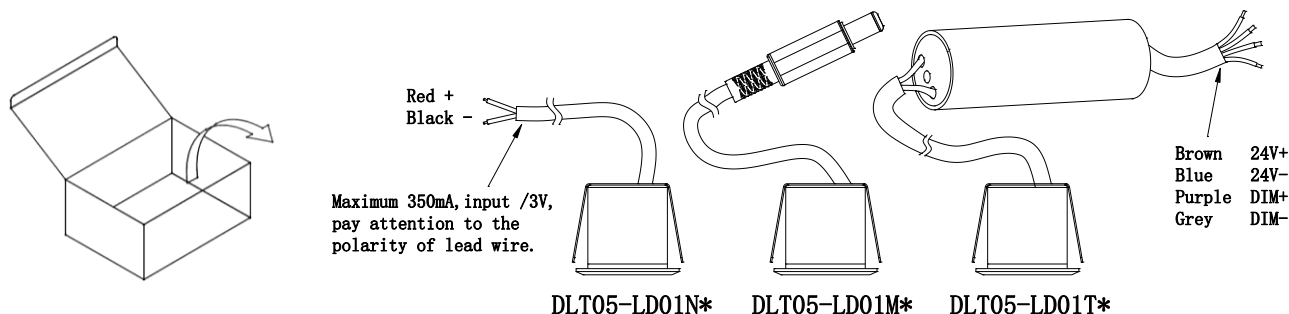


Installation Precautions:

1. Please read through the Instructions before installation.
2. The product should be installed by a professional electrician.
3. Make sure the power supply is cut off before installation and maintenance, to avoid the risk of electric shock.
4. The light can be recessed on the ceiling, where sufficient space must be reserved for installation. Do not cover the light with any thermal insulation or consumable articles to avoid fire hazards.
5. In case of cracking of glass, please replace it immediately.
6. Do not install the light on an unstable or unsolid skylight, to avoid falling off.
7. Please keep this Instruction properly for future reference.



Electrical appliance selection instructions:

Model	Remark
DLT05-LD01N*	Without electrical appliances, customers need to use a appropriate one which output parameters need to match the light source.
DLT05-LD01M*	It is used with WAC MTB power divider.
DLT05-LD01T*	With electrical appliances, lamp needs to be connected to 24V DC current.

Lamp installation and removing :

<p>① Ensure that there is enough space for lamp working after installation.</p>	<p>②</p> <p>Ceiling cutout: Ø18 Thickness: 1-15mm</p>	<p>③ Every circuit width is 10mm</p> <p>Input wire Lamp lead wire (L, N) and terminal block wiring diagram.</p>
<p>④</p> <p>24V DC</p> <p>Installation of lamps with driver: Put the cable and driver into the ceiling after wiring</p> <p>Installation of lamps without driver: Lamp have red and black lead wires. Don't connect to 220VAC directly. Customer self-contained drive needs to be matched with the light source.</p>	<p>⑤ Pinch the spring and push the lamp into the ceiling.</p>	<p>⑥</p> <p>Installation completed: Push the lamp into the ceiling level.</p> <p>Lamp maintenance: Disconnect the power supply, then picks up a little flanging and just pull out the lamp by hand or a screwdriver.</p>

* If the driver of the light comes with lead wires, and the leads need to be connected with an independent terminal block (refer to Figure 3 for wiring), the size of the terminal block for each line should not be less than 10x20x25mm.

Licensed by "WAC" trademark holder - WAC LIGHTING, USA

Chinese Marketing Headquarters

Address

China factory

Address

: WAC Lighting (Shanghai) Co, Ltd.

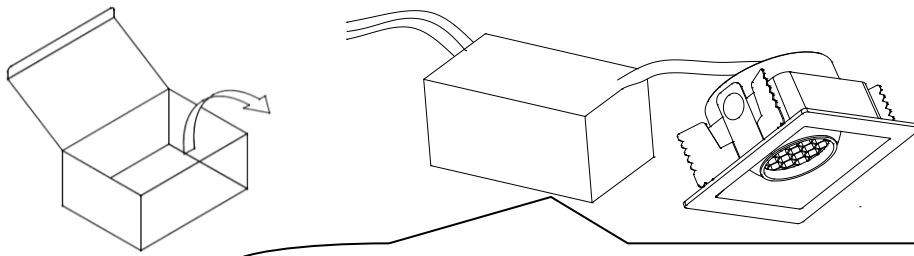
: 14, Lane 299, Bi Sheng Road, Shanghai 201204, China

: Manufactured WAC Lighting (Dongguan) Co, Ltd.

: 390, Qingfeng Road, Qingxi Town, Dngguan, Guangdong. Postal code: 523653

Installation Precautions:

1. Please read through the Instructions before installation.
2. The product should be installed by a professional electrician.
3. Make sure the power supply is cut off before installation and maintenance, to avoid the risk of electric shock.
4. The light can be recessed on the ceiling, where sufficient space must be reserved for installation. Do not cover the light with any thermal insulation or consumable articles to avoid fire hazards.
5. In case of cracking of glass, please replace it immediately.
6. Do not install the light on an unstable or unsolid skylight, to avoid falling off.
7. Please keep this Instruction properly for future reference.

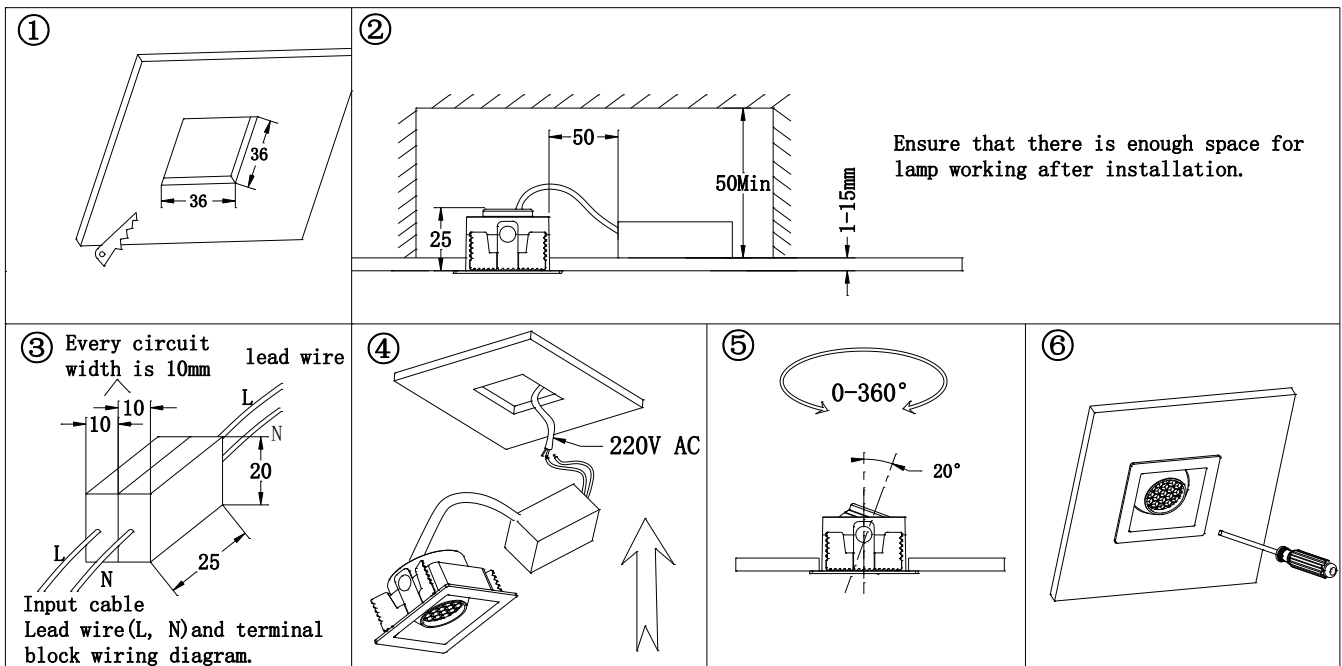


AC 220-240V~50/60Hz

Please connect to a appropriate power supply according to the label if the lamp shipped without any electrical appliance.

Lamp installation and removing :

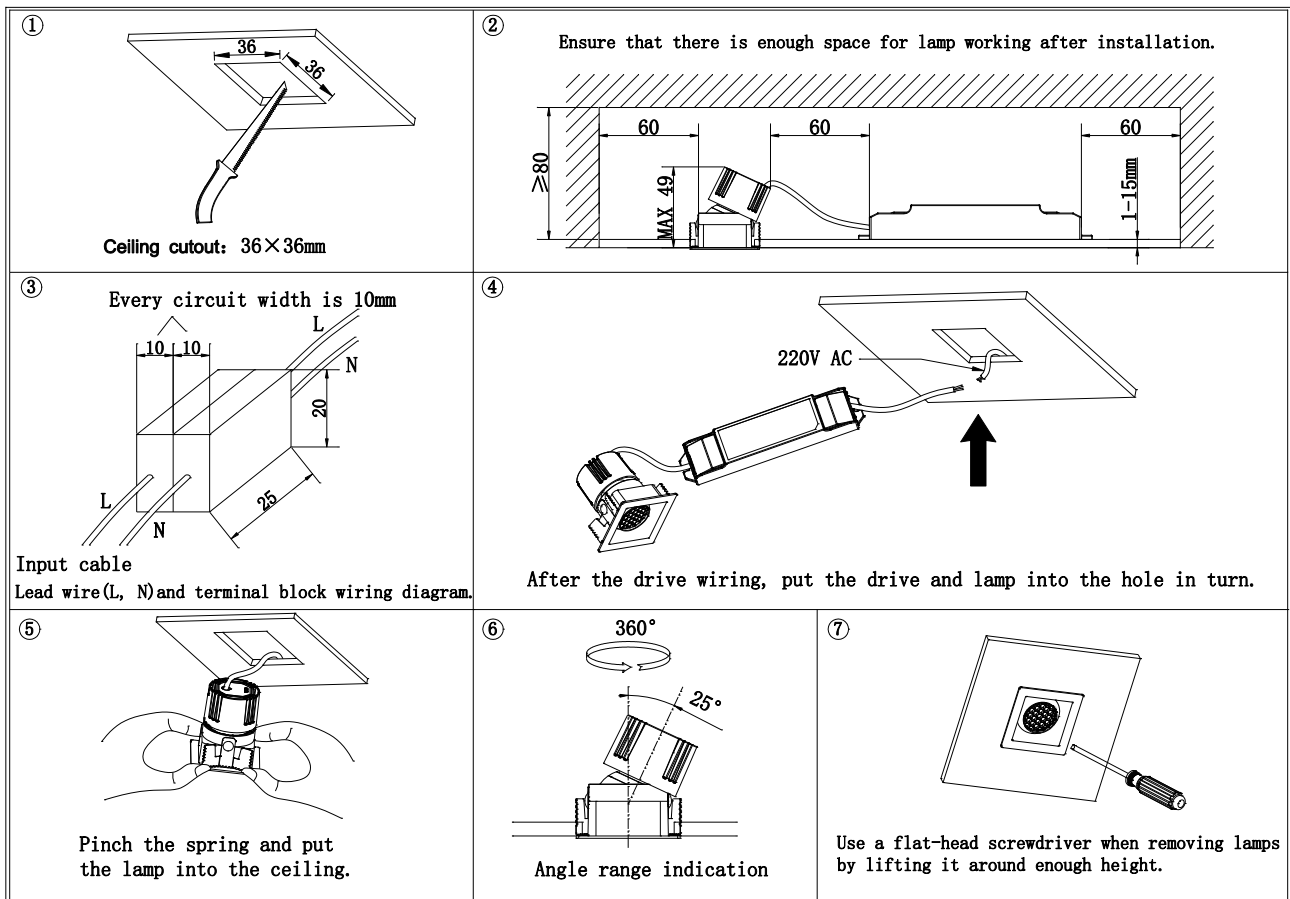
Ceiling cutout $\square 36 \times 36$ mm, thickness 1-15mm;



Installation Precautions:

1. Please read through the Instructions before installation.
2. The product should be installed by a professional electrician.
3. Make sure the power supply is cut off before installation and maintenance, to avoid the risk of electric shock.
4. The light can be recessed on the ceiling, where sufficient space must be reserved for installation. Do not cover the light with any thermal insulation or consumable articles to avoid fire hazards.
5. In case of cracking of glass, please replace it immediately.
6. Do not install the light on an unstable or unsolid skylight, to avoid falling off.
7. Please keep this Instruction properly for future reference.
8. The LED source in the light should be replaced by the manufacturer or its service agent or similarly qualified personnel.

Light Installation and Wiring:



- * If the driver of the light comes with lead wires, and the leads need to be connected with an independent terminal block (refer to Figure 3 for wiring), the size of the terminal block for each line should not be less than 10x20x25mm.
- * Light without driver comes with red and black lead wires, and it cannot be directly connected to 220V AC. Customer-provided driver shall match the specification of LED source.