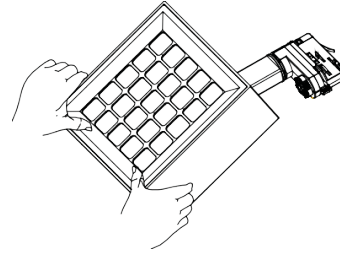
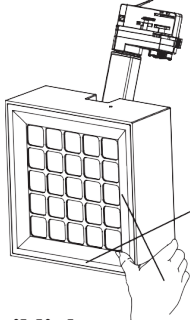


### Installation Statement:

1. Before installation, carefully read the manual and operate according to the content of the manual;
2. Installed by qualified electricians
3. To avoid the risk of electric shock, make sure to turn off the power before installation and maintenance;
4. Suitable for indoor installation and use (not suitable for humid environments);
5. The light source of this lamp is no replaceable, and once it needs to be replaced (such as at the end of the lamp's lifespan), the entire lamp should be replaced;
6. Do not install the lighting fixtures on unstable or unstable ceilings to prevent them from falling;
7. Keep this manual properly for future use.

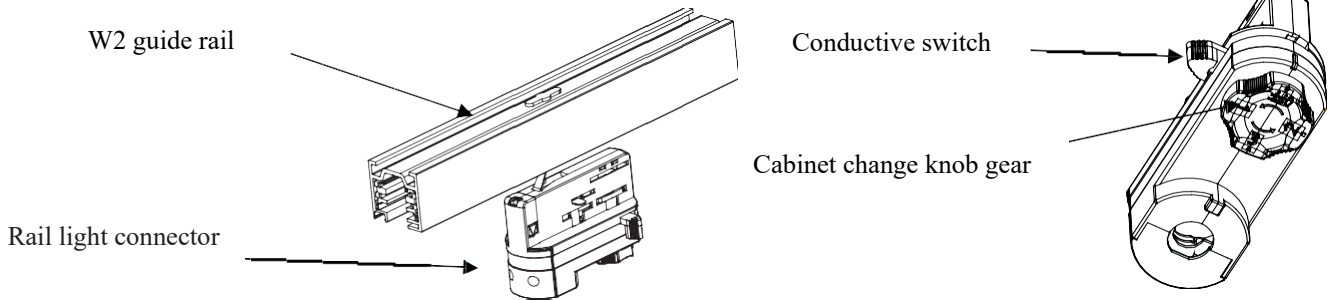
### Attention:

1. When moving lighting fixtures, be careful not to press the panel!
2. If there is any protrusion or protrusion on the back cover of the lamp, press down with both hands and then release it to reset the cover!

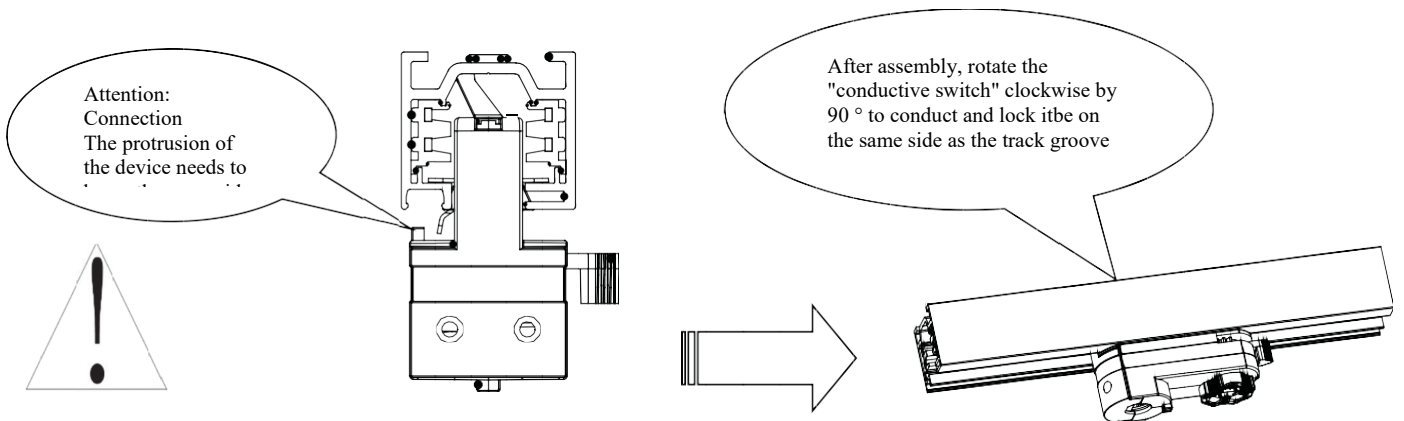


### 1、 Assemble the rail light connector

1. Before assembly, ensure that the conductive switch is at a 90 ° angle with the connector and that the reversing knob is in an "OFF" state.

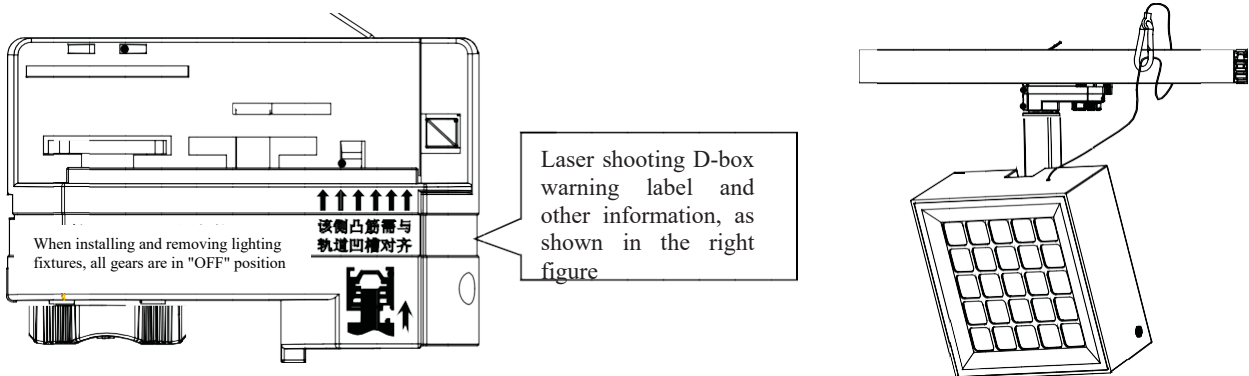


2. Align the protrusion of the rail light connector with the groove of the rail before assembly.

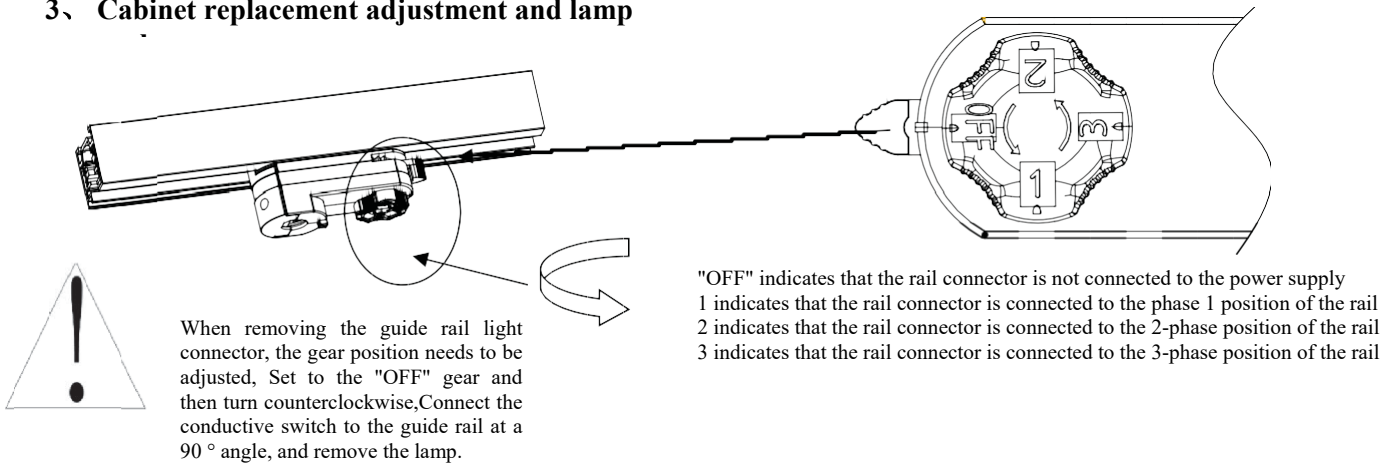


## 2、 Installation of lighting fixtures:

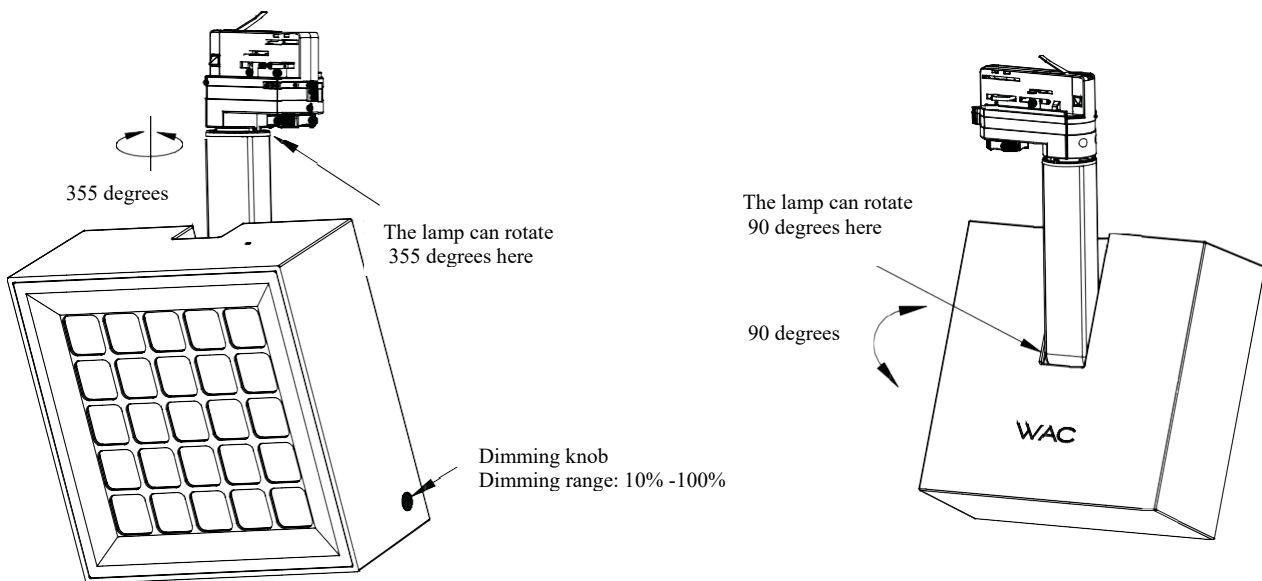
After installing the guide rail light connector, pull out the steel cable at the upper end of the light fixture and hang the hook on the track or other suitable place. The schematic diagram after installation is as follows.



## 3、 Cabinet replacement adjustment and lamp



## 4、 Lamp adjustment:



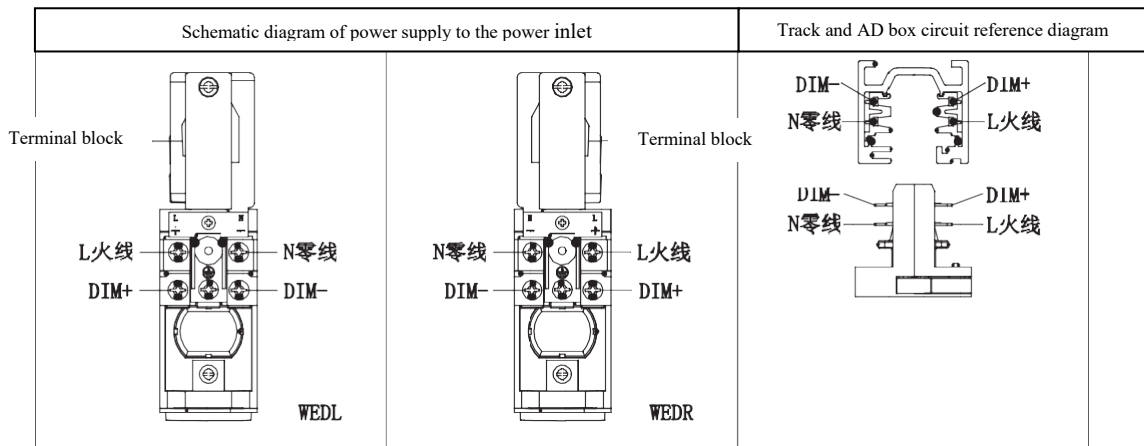
#### Installation Statement:

1. Please read the instruction manual carefully before installation;
2. This lamp is used in a three cabinet track system or on other tracks that are compatible with this lamp. The rail parameters used are input voltage: AC 220-240V; Maximum current: 16A;
3. **The lighting fixtures have a 0-10V/DALI dimming function. Do not connect the track dimming light to the mains to prevent a fire in the track system;**
4. Installed by qualified electricians
5. Only suitable for indoor installation and use (not suitable for humid environments);
6. The lighting fixtures need to undergo compatibility testing with the dimming system in advance;
7. Keep the instruction manual for reference only.

**Attention: To prevent electric shock and damage to lighting fixtures, please turn off the power before installing, maintaining, or replacing accessories. It is not allowed to install with electricity.**

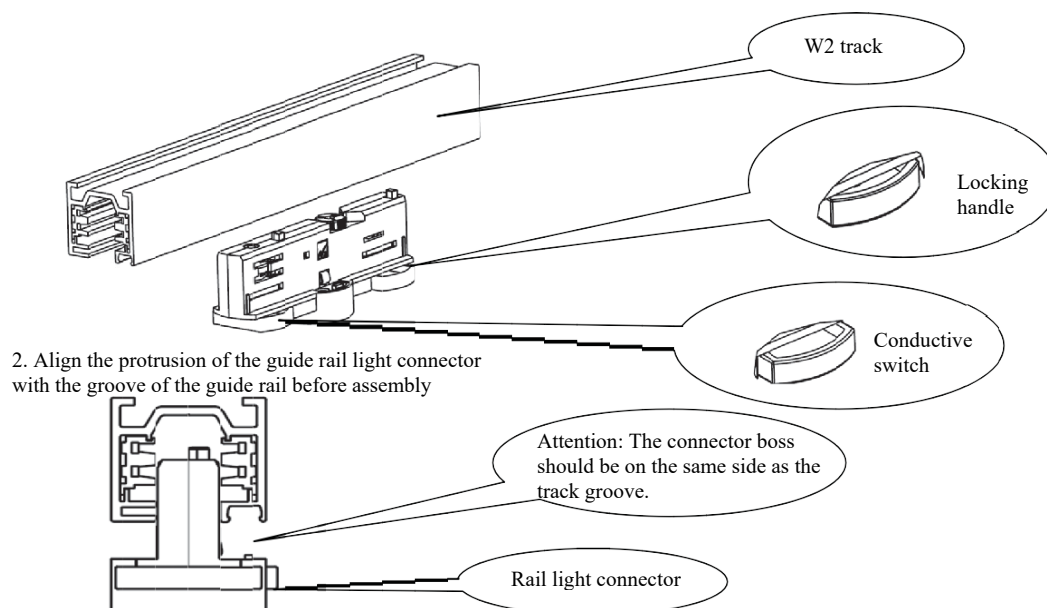
#### One、 Schematic diagram of track electrification:

The lighting fixture has a 0-10V/DALI dimming function. Please ensure that the wiring of the rail power inlet is consistent with the diagram below;

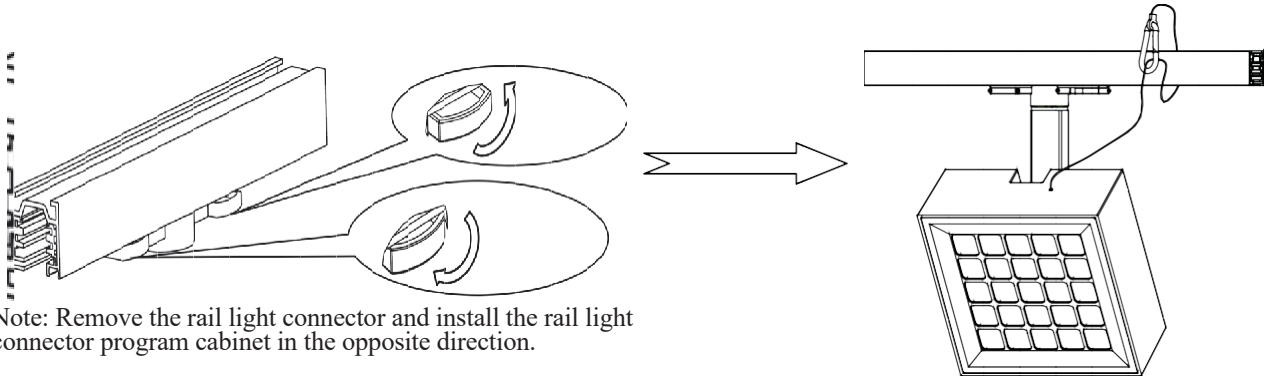


#### Two、 Assemble the rail light connector

1. Before assembly, ensure that the "locking handle" and "conductive switch" are at a 90 degree angle with the connector.



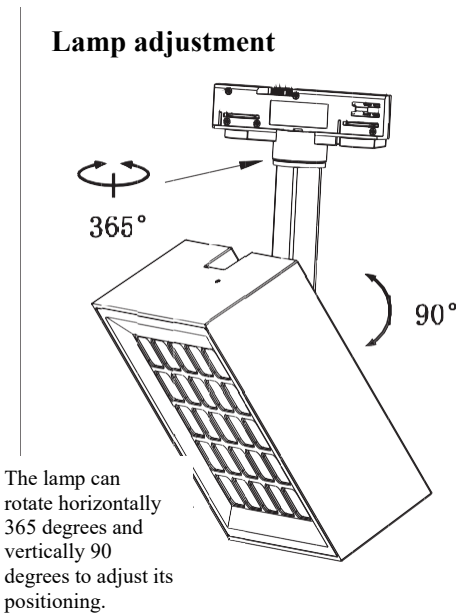
3. After assembly, turn the "conductive switch" clockwise and the "locking handle" counterclockwise Rotate 90 degrees to conduct and lock, hang the steel cable hook in the appropriate position on the track, and ensure the safety protection of the lighting fixtures.



Note: Remove the rail light connector and install the rail light connector program cabinet in the opposite direction.

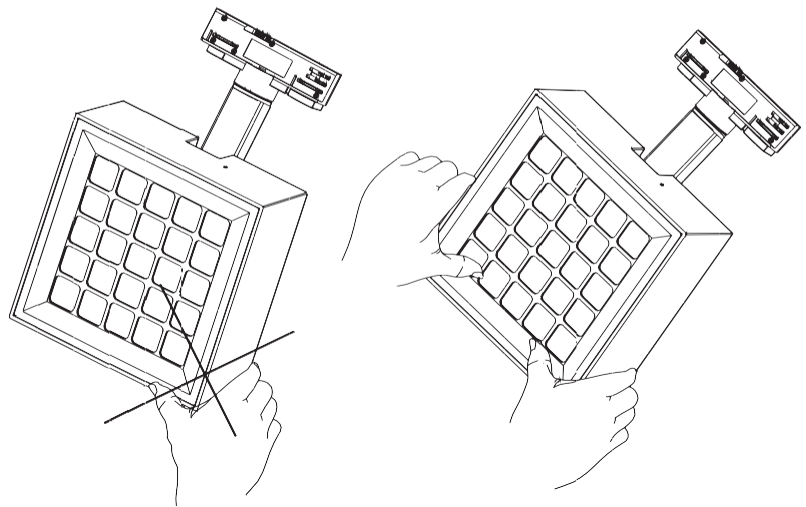
### Three · Lamp adjustment:

1. The lamp can rotate horizontally 365 degrees and vertically 90 degrees to adjust its positioning, as shown in the following figure;
2. The lamp has a 0-10V/DALI dimming function;



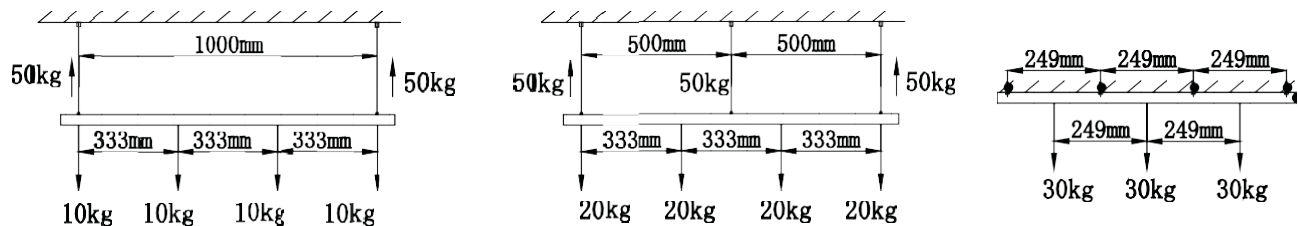
### matters needing attention

1. When moving lighting fixtures, it is prohibited to press the panel;
2. If there is any protrusion or protrusion on the back cover of the lamp after removal, Press down with both hands and then release to reset the cover.



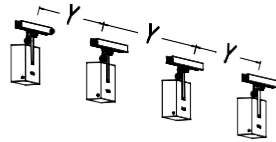
### Four、 Maximum lifting weight:

1. The track system can withstand the maximum weight as shown in the following figure, which includes the weight of the entire suspension system.
2. A single adapter can withstand a maximum load of 10kg (add the load to the adapter according to the normal installation position of the lamp).



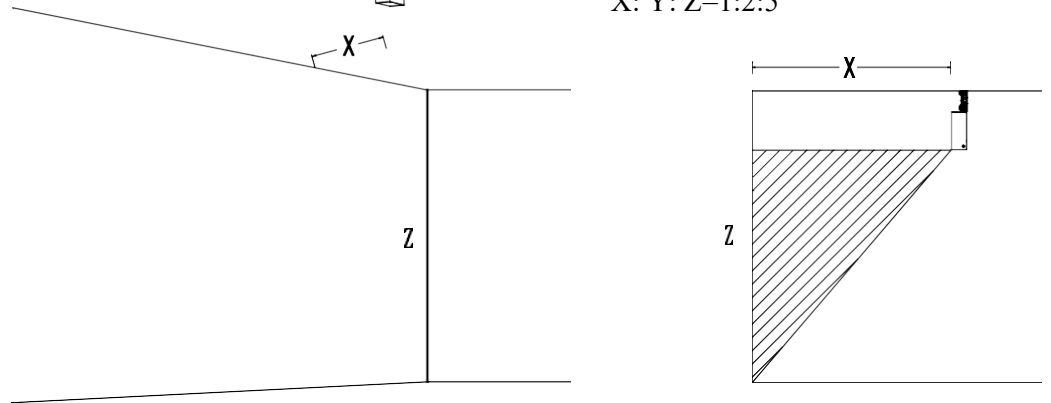
**Installation Statement:**

1. Before installation, carefully read the manual and operate according to the content of the manual;
2. Installed by qualified electricians;
3. To avoid the risk of electric shock, make sure to turn off the power before installation and maintenance;
4. Suitable for indoor installation and use (not suitable for damp environments);
5. The light source of this lamp is non replaceable, and once it needs to be replaced (such as at the end of the lamp's lifespan), the entire lamp should be replaced;
6. Do not install the lighting fixtures on unstable or unstable ceilings to prevent them from falling;
7. Keep this manual properly for future use.



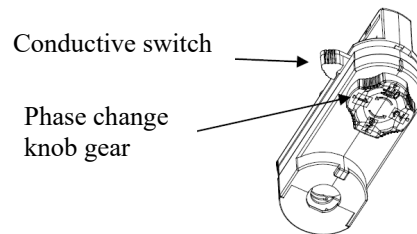
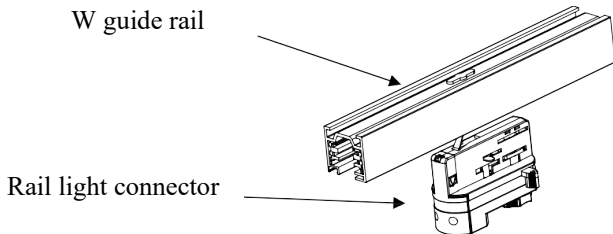
High altitude wall washing lamp A:  
 X: Y: Z=1:1:10  
 High altitude wall washing lamp B:  
 X: Y: Z=1:2:5

This lamp is a wall washing lamp. In order to achieve the best effect, it needs to be installed and debugged according to (but not limited to) the installation parameters shown in the right picture:

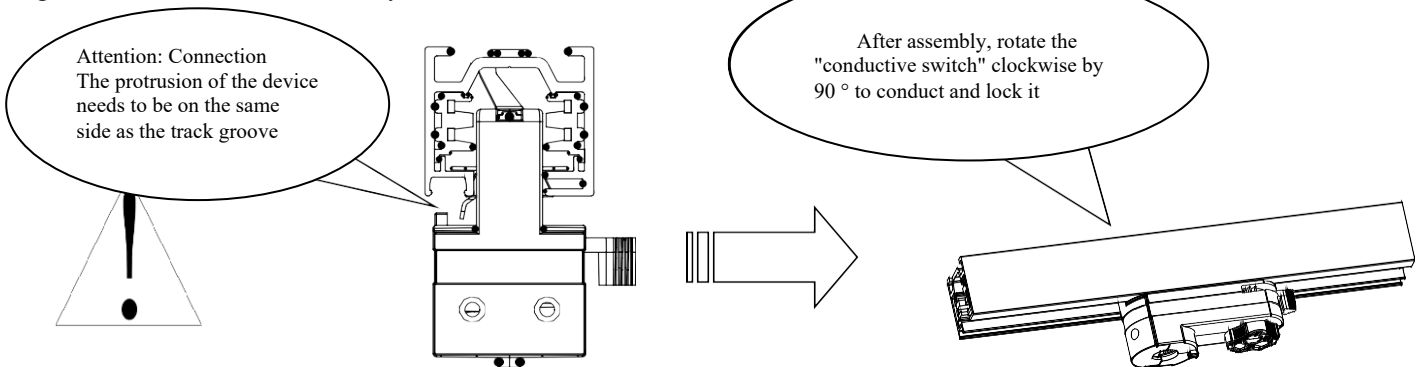


**One、 Assemble the rail light connector**

1. Before assembly, ensure that the "conductive switch" is at a 90 ° angle with the connector, and that the reversing knob is in the "OFF" state.

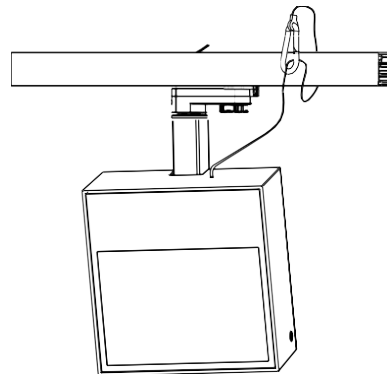
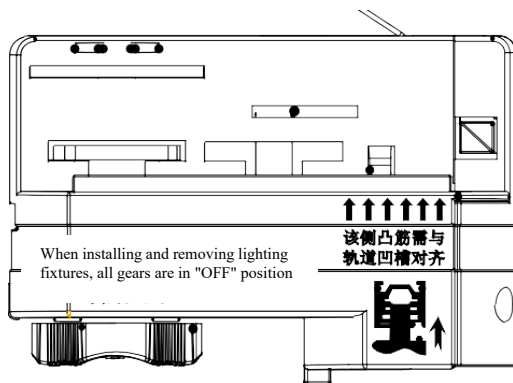


2. Align the protrusion of the rail light connector with the groove of the rail before assembly.

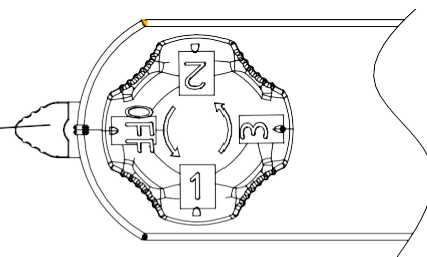
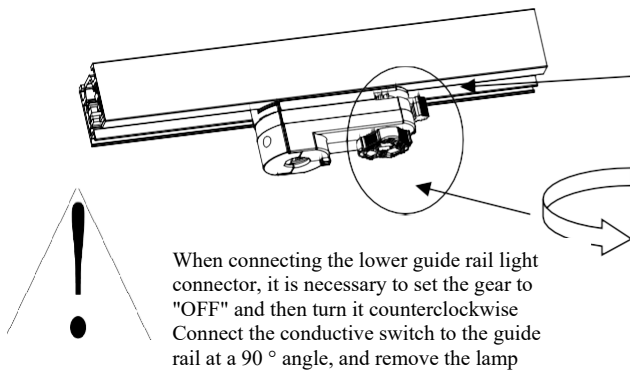


#### Two、 Lamp installation:

After installing the guide rail light connector, pull out the steel cable at the upper end of the light fixture and hang the hook on the track or other suitable place. The schematic diagram after installation is as follows

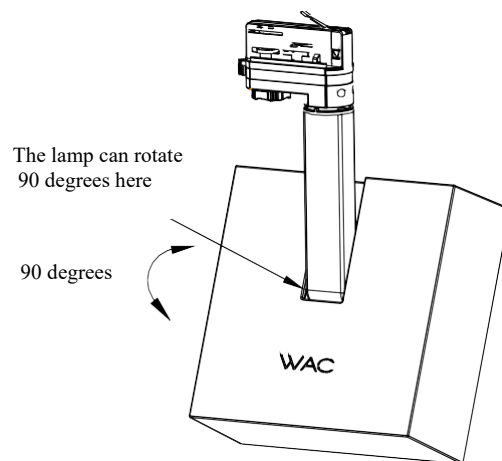
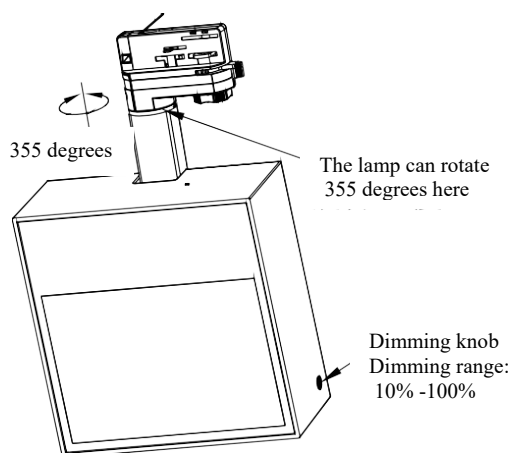


#### Three、 Phase change adjustment and lamp removal



"OFF" indicates that the rail connector is not connected to the power supply  
 1 indicates that the rail connector is connected to the phase 1 position of the rail  
 2 indicates that the rail connector is connected to the 2-phase position of the rail  
 3 indicates that the rail connector is connected to the 3-phase position of the rail

#### Four、 Lamp adjustment:



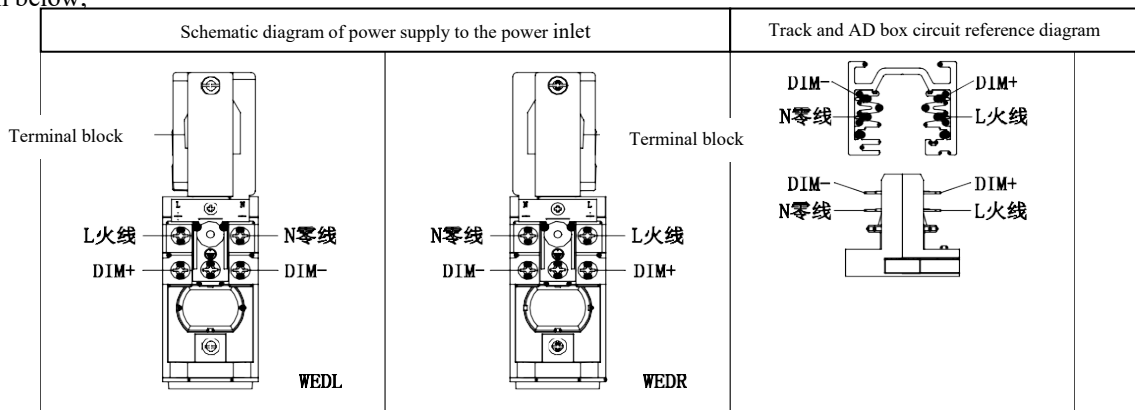
### Installation Statement:

1. Please read the instruction manual carefully before installation;
2. This lamp is used in a three-phase track system or on other tracks that are compatible with this lamp. The rail parameters used are input voltage: AC 220-240V; Maximum current: 16A;
3. **The lighting fixtures have a 0-10V/DALI dimming function. Do not connect the track dimming light to the mains to prevent a fire in the track system;**
4. Installed by qualified electricians;
5. Only suitable for indoor installation and use (not suitable for humid environments);
6. The lighting fixtures need to undergo compatibility testing with the dimming system in advance;
7. Keep the instruction manual for reference only.

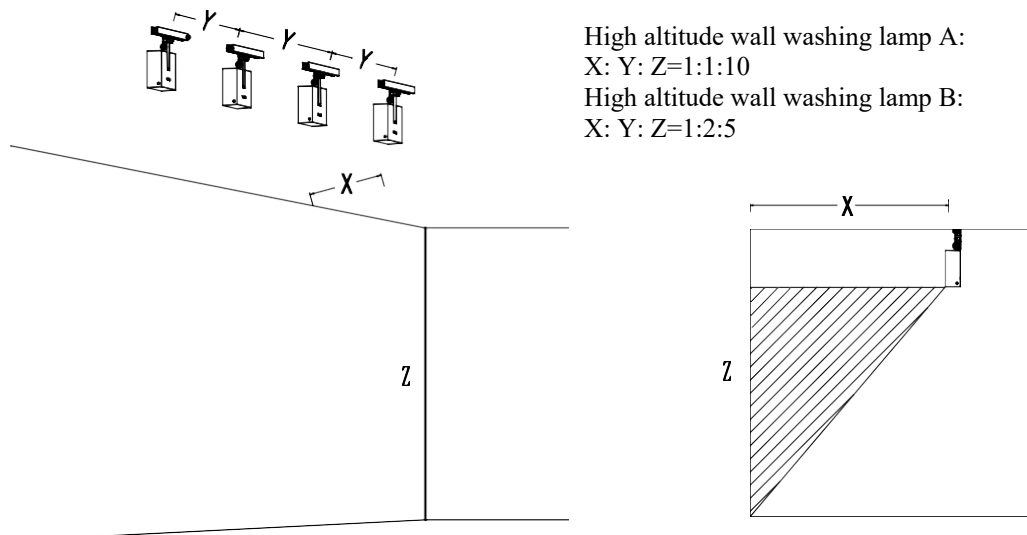
**Attention: To prevent electric shock and damage to lighting fixtures, please turn off the power before installing, maintaining, or replacing accessories. It is not allowed to install with electricity.**

### One、 Schematic diagram of track electrification:

The lighting fixture has a 0-10V/DALI dimming function. Please ensure that the wiring of the rail power inlet is consistent with the diagram below;

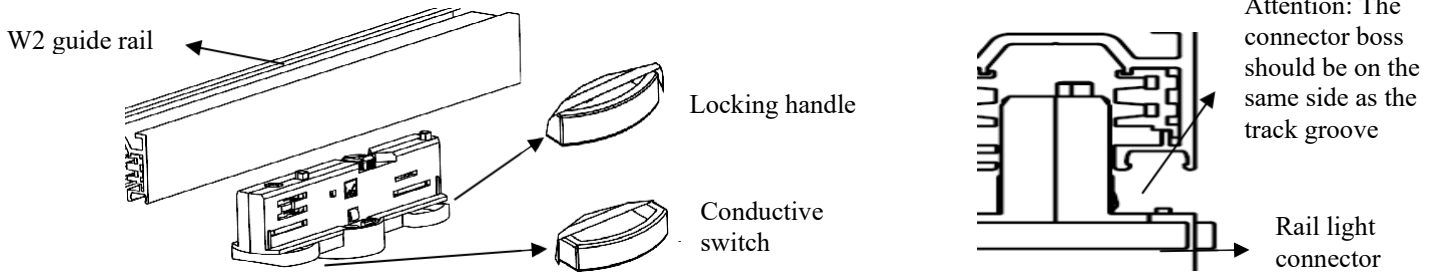


Two、 this lamp is a wall washing lamp. In order to achieve the best effect, it is necessary to install and debug according to (but not limited to) the following installation parameters:

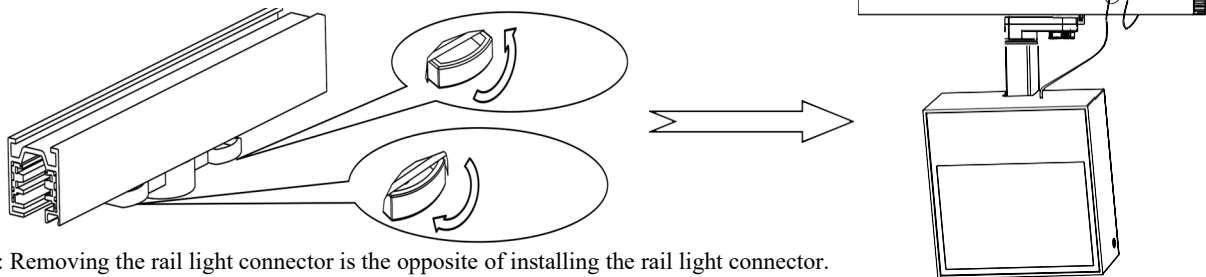


#### Three、 Assemble the rail light connector

1. Before assembly, ensure that the "locking handle" and "conductive switch" are at a 90 degree angle with the connector.
2. Align the protrusion of the rail light connector with the groove of the rail before assembly.



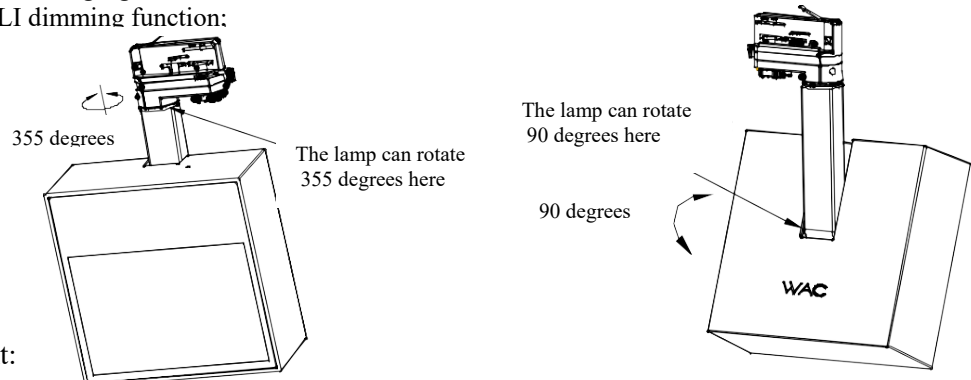
Three. After assembly, turn the "conductive switch" clockwise and the "locking handle" counterclockwise Rotate 90 degrees to conduct and lock, hang the steel cable hook in the appropriate position on the track, and ensure the safety protection of the lighting fixtures



Note: Removing the rail light connector is the opposite of installing the rail light connector.

#### Four, lamp adjustment

1. The lamp can rotate horizontally 365 degrees and vertically 90 degrees to adjust its positioning, as shown in the following figure;
2. The lamp has a 0-10V/DALI dimming function:



#### Five、 Maximum lifting weight:

1. The track system can withstand the maximum weight as shown in the following figure, which includes the weight of the entire suspension system.
2. A single adapter can withstand a maximum load of 10kg (apply the load to the adapter according to the normal installation position of the lamp).

