

Installation instruction

One、 use statement

1. Please read all instructions before installation and carefully read installation precautions;
2. Suitable for indoor dry places, can not be installed in the water environment;
3. Be sure to turn off the power before installation to prevent electric shock;
4. PC cover, PC embossed cover, tear off the surface protective film before installation.

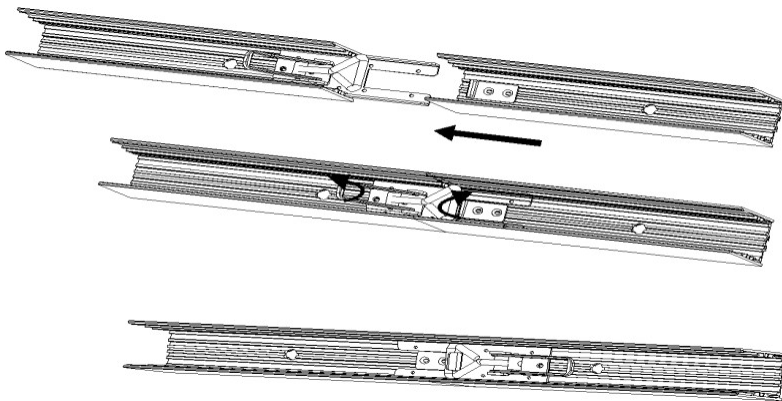
Two、 Lamp Description

This lighting fixture has different lengths and three power supply methods, AC220V, DC24V, and constant current, depending on the model. Please choose the slot size and matching power supply according to the specific model and installation method.

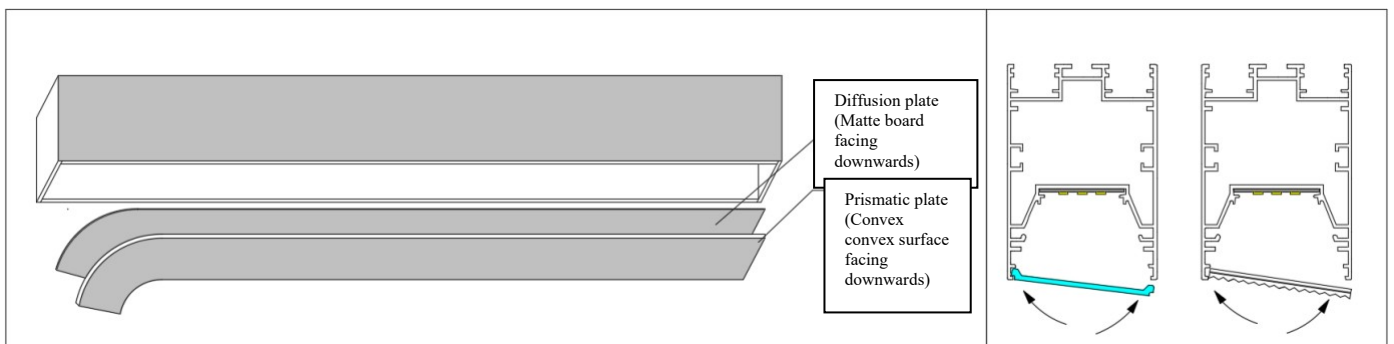
Main materials and usage of lamps: profiles, light source boards, PC covers, PC embossed covers+diffusion plates (first install the diffusion plate, with the frosted surface facing outward; the concave and convex surfaces of the crystal plate facing outward, and the smooth surface facing inward), end caps, exposed splicing accessories, lifting splicing accessories, tin foil and leak proof curing adhesive (used for splicing lamps).

Three、 Installation instructions:

(One) Splicing method:



(two) Mask installation method:

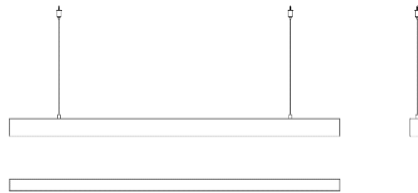
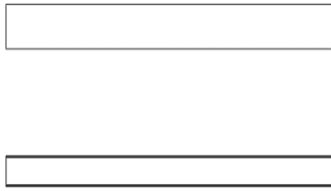


(three) Lamp type:

1. Ceiling mounted

2. Suspending

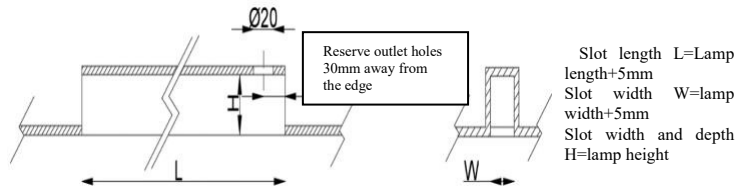
3. Embedded



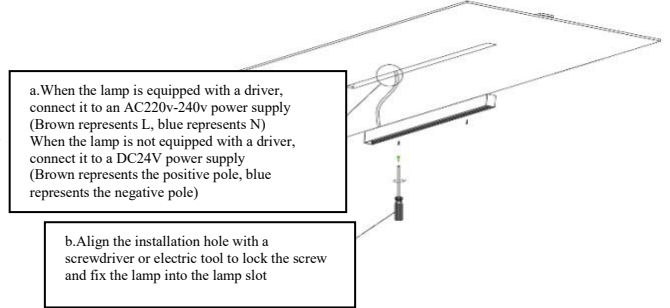
Just fix it, do not lock it completely

(four) Installation method

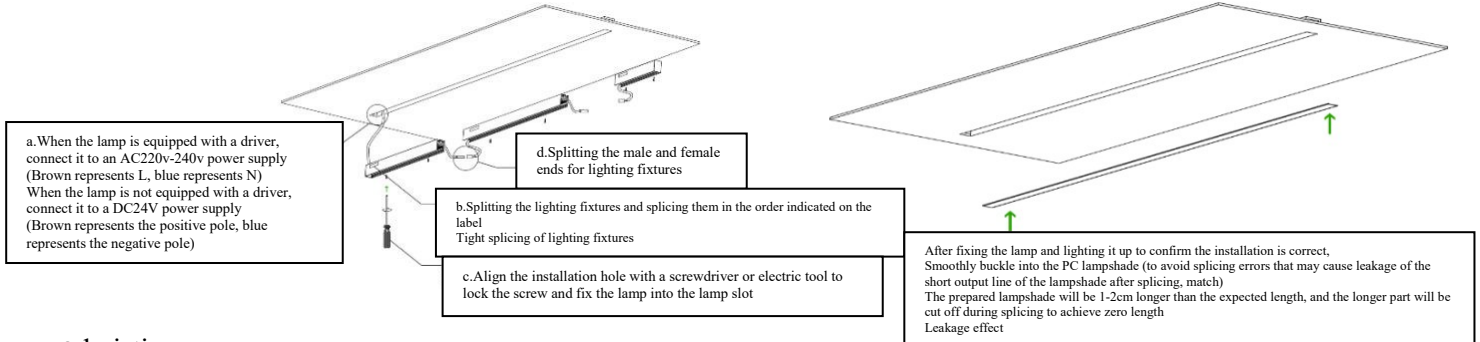
1. surface mounted



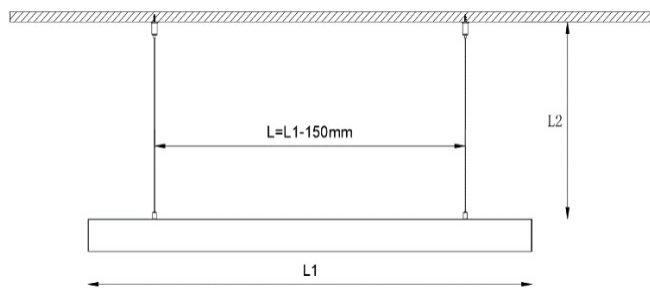
Not spliced



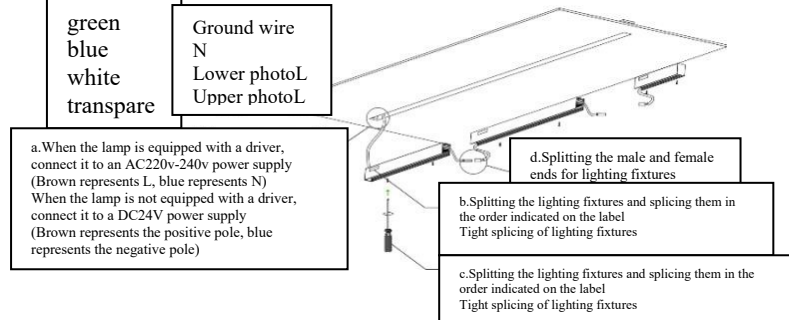
montage



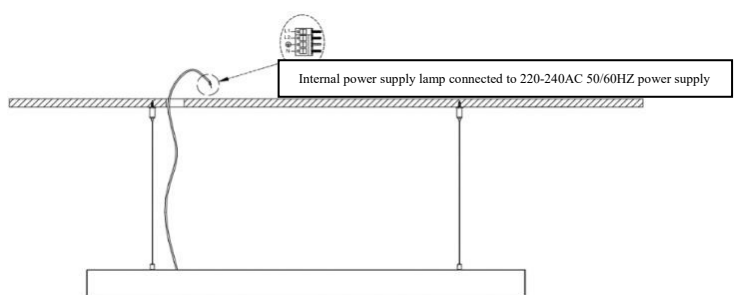
2. hoisting



montage



Not spliced



3. Embedded

Instructions for using installation accessories:

a. Clamp the installation aids onto the profile



b. When installing the lamp body into the ceiling, first install one end of the lamp body into the ceiling, and then install the

other end, paying attention to the ceiling opening ruler



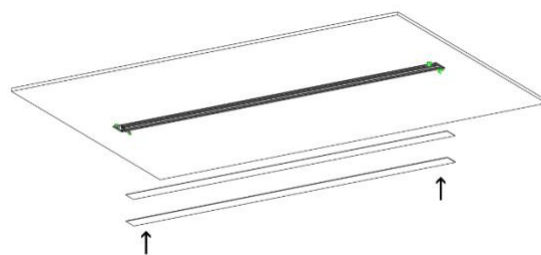
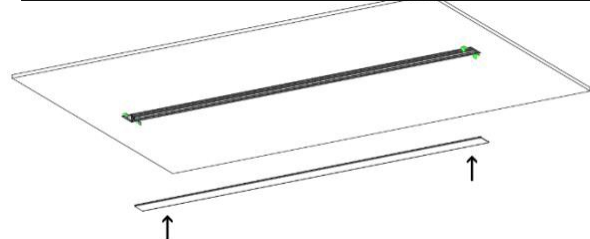
Opening size: length (L+5mm) * width (W+5mm) * height (H+50mm)
L2 ≤ 20mm

c. Install the lighting fixtures into the ceiling



Just fix it, do not completely fix it

d. Install the PC cover or crystal board (refer to the mask installation method for specific operations)



c. Remove the installation aids

