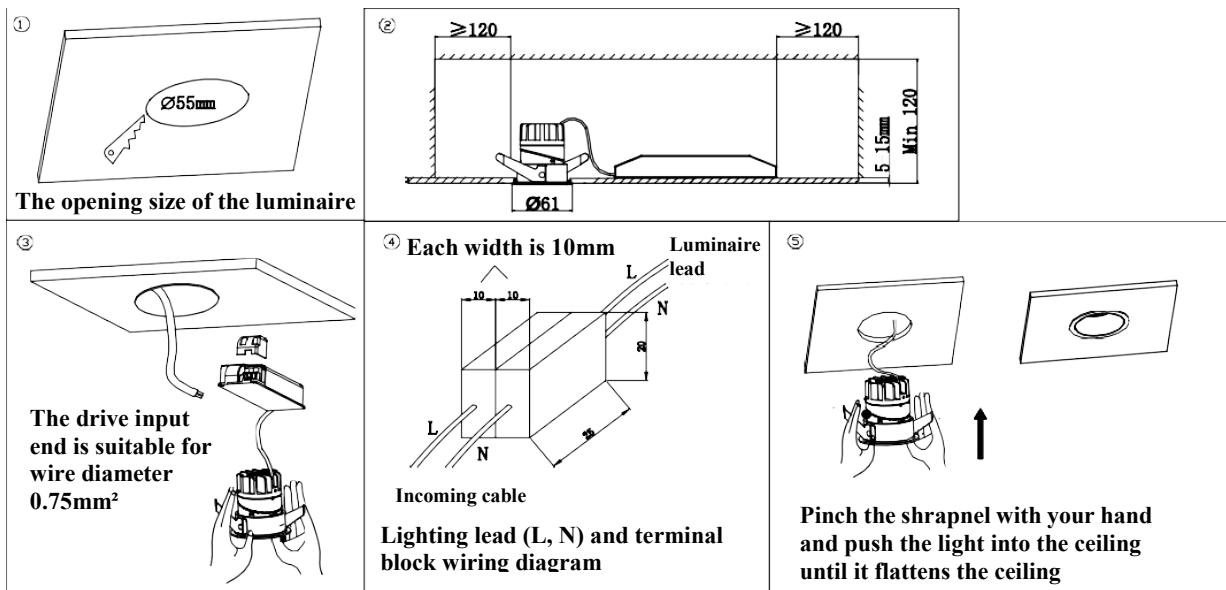


Installation Precautions:

1. Please read the instructions carefully before installation and operate according to the contents of the installation instructions;
2. Please have a qualified electrician install, in order to avoid the risk of electric shock, please confirm to turn off the power before installation and maintenance;
3. Suitable for indoor installation (not for humid environment);
4. The lamp can be embedded in the ceiling surface, but do not cover the heat insulation and combustible materials above the lamp to avoid causing a fire;
5. Do not install the lamp on the unstable and unstable skylight to avoid the lamp falling;
6. The light source of this lamp is not replaceable, once it needs to be replaced (such as the end of the life of the light source), the entire lamp should be replaced;
7. Keep this manual properly for use when needed.

Luminaire installation:

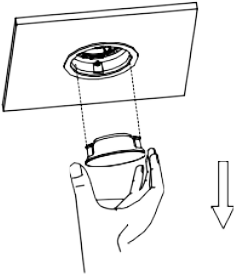
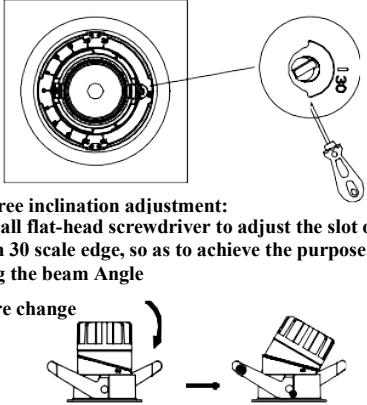
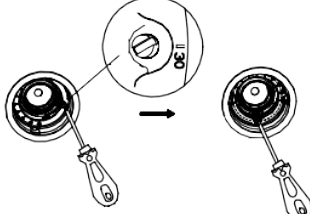
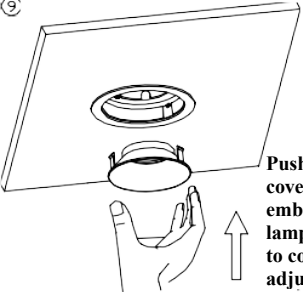


* If the driver of the lamp comes with a lead wire, and the connection lead needs to be connected with an independent terminal block (refer to Figure ④ schematic wiring, this lamp does not include this terminal block), the size of each terminal block should not be less than 10×20×25mm.

* For lamps without electrical appliances, there are 3 red, black and yellow outlet cables reserved on the lamps, and 220VAC mains cannot be directly connected. The dimmer (DALI) should be configured on site, and the electrical parameters should meet the constant current

200mA MAX and 30V Typ. Wiring according to the instructions on the label (red lead cable on the lamp is connected to LED+, black is connected to WW-, yellow is connected to CW-).

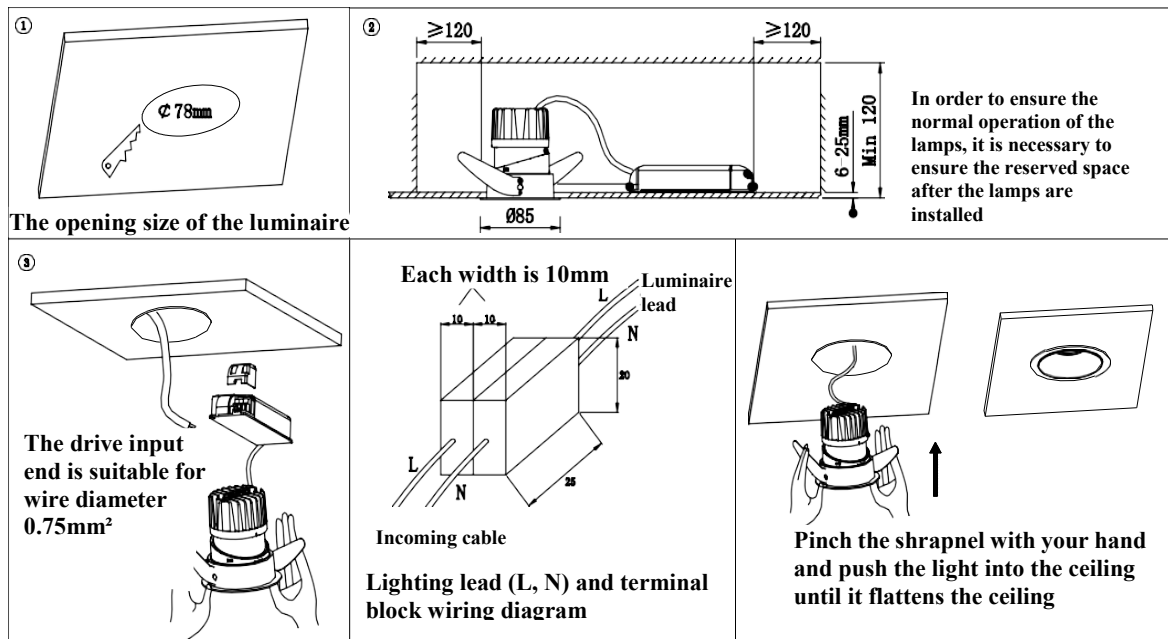
Light Angle adjustment:

<p>⑥</p>  <p>Close the reflector by hand (with gloves)</p>	<p>⑦</p>  <p>0-30 degree inclination adjustment: Use a small flat-head screwdriver to adjust the slot of the part with 30 scale edge, so as to achieve the purpose of adjusting the beam Angle</p> <p>Luminaire change</p> <p>The luminaire tilt Angle value can be judged by the alignment position of the white indicator point with the digital scale on the luminaire (0-30 degrees)</p> <p>Angle indicator (white)</p>	<p>⑧</p>  <p>Horizontal rotation adjustment of lamps: Use a flat-head screwdriver to put in the groove next to the 30 scale, and turn it hard to achieve the purpose of horizontal adjustment</p> <p>⑨</p>  <p>Push the reflector cover into the embedded part of the lamp (wearing gloves) to complete the adjustment operation</p>
---	--	---

Installation Precautions:

1. Please read the instructions carefully before installation and operate according to the contents of the installation instructions;
2. Please have a qualified electrician install, in order to avoid the risk of electric shock, please confirm to turn off the power before installation and maintenance;
3. Suitable for indoor installation (not for humid environment);
4. The lamp can be embedded in the ceiling surface, but do not cover the heat insulation and combustible materials above the lamp to avoid causing a fire;
5. Do not install the lamp on the unstable and unstable skylight to avoid the lamp falling;
6. The light source of this lamp is not replaceable, once it needs to be replaced (such as the end of the life of the light source), the entire lamp should be replaced;
7. Keep this manual properly for use when needed.

Luminaire installation:

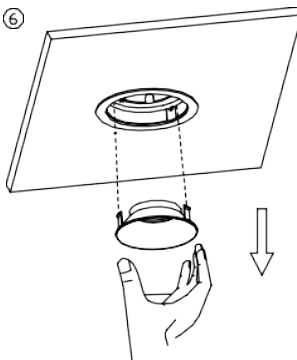
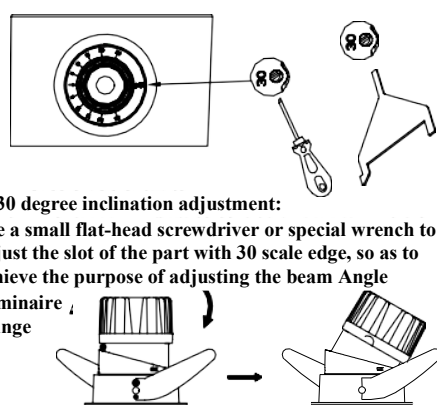
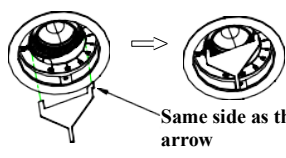
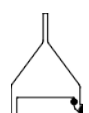
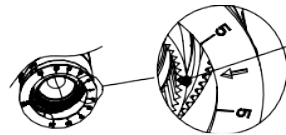
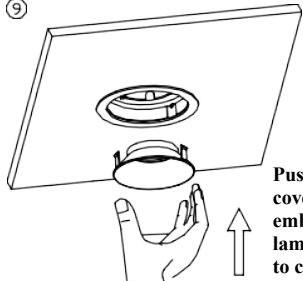


* If the driver of the lamp comes with a lead wire, and the connection lead needs to be connected with an independent terminal block (refer to Figure ④ schematic wiring, this lamp does not include this terminal block), the size of each terminal block should not be less than $10 \times 20 \times 25\text{mm}$.

* For lamps without electrical appliances, there are 3 red, black and yellow outlet cables reserved on the lamps, and 220VAC mains cannot be directly connected. The dimmer (DALI) should be configured on site, and the electrical parameters should meet the constant current

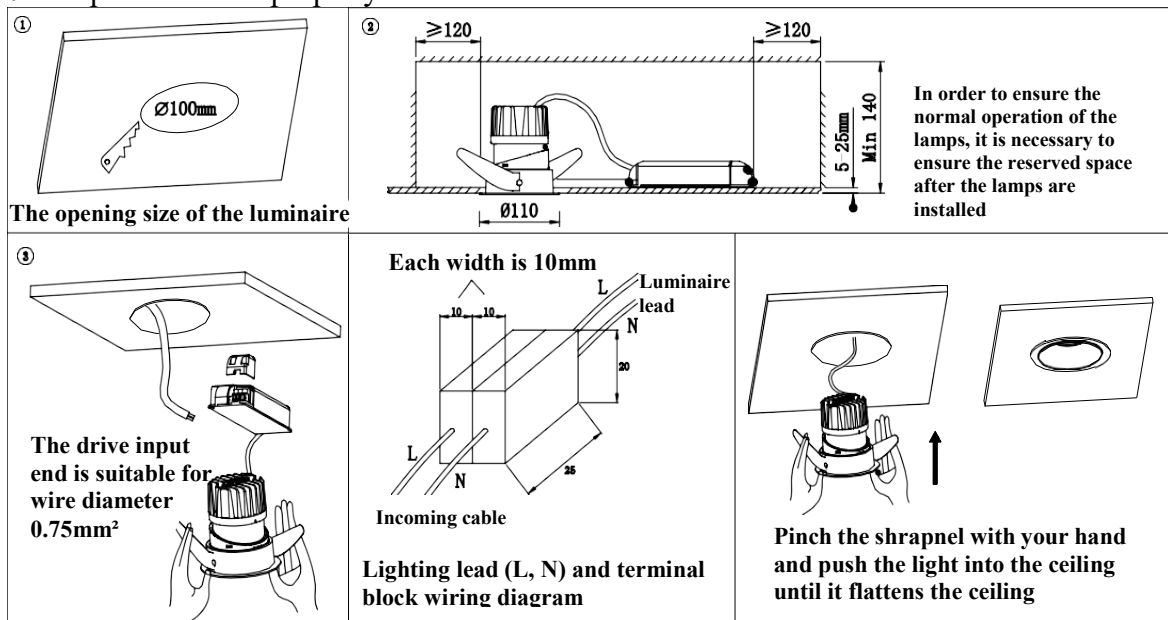
200mA MAX and 30V Typ. Wiring according to the instructions on the label (red lead cable on the lamp is connected to LED+, black is connected to WW-, yellow is connected to CW-).

Light Angle adjustment:

<p>⑥</p>  <p>Close the reflector by hand (with gloves)</p>	<p>⑦</p>  <p>0-30 degree inclination adjustment: Use a small flat-head screwdriver or special wrench to adjust the slot of the part with 30 scale edge, so as to achieve the purpose of adjusting the beam Angle Luminaire change</p>	<p>⑧</p>  <p>Same side as the scale arrow</p> <p>Horizontal rotation adjustment of lamps: Put one end of the special wrench diagonally into one side of the inner wall of the arrow indicating part, and then put the other end of the wrench into the other side of the slot, and turn the wrench forcefully to achieve the horizontal rotation of the lamp</p>
 <p>Accessories: Special wrench 1PC</p>	 <p>Angle indicator (white)</p> <p>The luminaire tilt Angle value can be judged by the alignment position of the white indicator point with the digital scale on the luminaire (0-30 degrees)</p>	<p>⑨</p>  <p>Push the reflector cover into the embedded part of the lamp (wearing gloves) to complete the adjustment operation</p>

Installation Precautions:

1. Please read the instructions carefully before installation and operate according to the contents of the installation instructions;
2. Please have a qualified electrician install, in order to avoid the risk of electric shock, please confirm to turn off the power before installation and maintenance;
3. Suitable for indoor installation (not for humid environment);
4. The lamp can be embedded in the ceiling surface, but do not cover the heat insulation and combustible materials above the lamp to avoid causing a fire;
5. Do not install the lamp on the unstable and unstable skylight to avoid the lamp falling;
6. The light source of this lamp is not replaceable, once it needs to be replaced (such as the end of the life of the light source), the entire lamp should be replaced;
7. Keep this manual properly for use when needed.



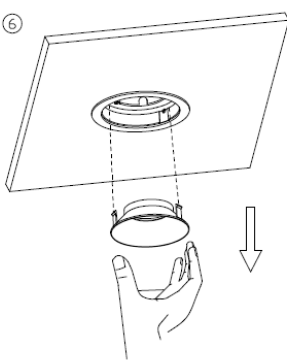
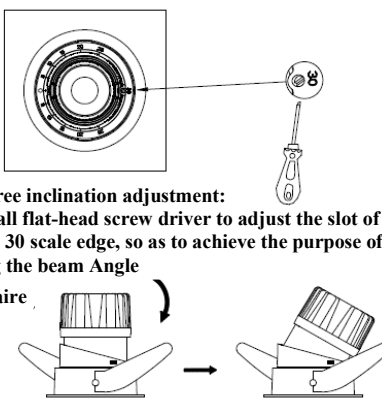
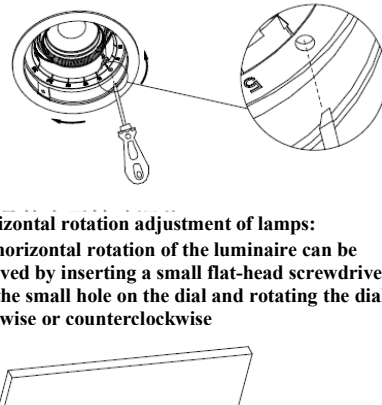

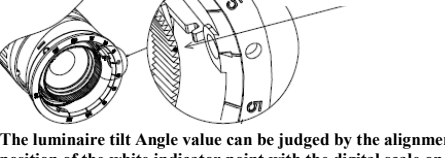
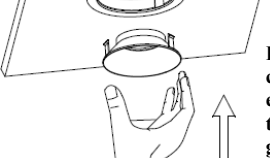
Luminaire installation:

* If the driver of the lamp comes with a lead wire, and the connection lead needs to be connected with an independent terminal block (refer to Figure ④ schematic wiring, this lamp does not include this terminal block), the size of each terminal block should not be less than $10 \times 20 \times 25\text{mm}$.

* For lamps without electrical appliances, there are 3 red, black and yellow outlet cables reserved on the lamps, and 220VAC mains cannot be directly connected. The dimmer (DALI) should be configured on site, and the electrical parameters should meet the constant current

200mA MAX and 30V Typ. Wiring according to the instructions on the label (red lead cable on the lamp is connected to LED+, black is connected to WW-, yellow is connected to CW-).

Light Angle adjustment:

<p>6</p>  <p>Close the reflector by hand (with gloves)</p>	<p>7</p>  <p>0-30 degree inclination adjustment: Use a small flat-head screw driver to adjust the slot of the part with 30 scale edge, so as to achieve the purpose of adjusting the beam Angle</p> <p>Luminaire change</p>	<p>8</p>  <p>Horizontal rotation adjustment of lamps: The horizontal rotation of the luminaire can be achieved by inserting a small flat-head screwdriver into the small hole on the dial and rotating the dial clockwise or counterclockwise</p>
 <p>Bring your own flat-head screwdriver</p>	 <p>Angle indicator (white)</p> <p>The luminaire tilt Angle value can be judged by the alignment position of the white indicator point with the digital scale on the luminaire (0-30 degrees)</p>	<p>9</p>  <p>Push the reflector cover into the embedded part of the lamp (wearing gloves) to complete the adjustment</p>