

# LANNE - MODEL: ER1SF

Down Luminaires

# WAC

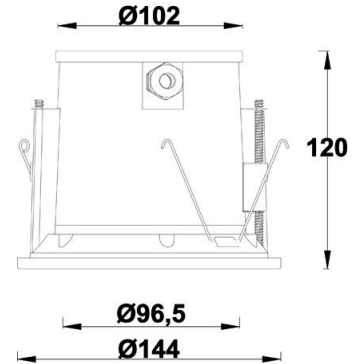
PROJECT:

TYPE:

## Product Image



## Line Drawing



## Product Description

Lanne 4 'aluminum alloy die cast shell, surface treated with black powder paint, quickly dissipates heat, white spray and stainless steel polished frame, beautiful appearance, no visible screws on the surface, 30 ° anti glare angle, less glare, equipped with high transmittance lens, spiral structure fixation, can adapt to ceiling thickness of 5-50mm.

## Product Features

- Body Material: Aluminum alloy die-casting lampbody and stainless steel frame
- Optical System: Lens+ SUBROSA optical system
- Finish: Static electricity powder coating
- Projection direction: /
- Accessories/brackets: /
- Certification: CCC
- IP Rating: IP65
- Insulation Level: Class I
- Operating Temperature: -20°C~50°C

## Product Specifications

- LED Type: High Power
- Power: 19W (Max)
- Source Lm: 3000K 1995LM; 4000K 2090LM;
- LED Lifetime: >50000h-L70 /B10-Ta25°C(LM-80/TM-21)
- CCT/CRI: 3000K/4000K, Ra90
- SDCM: 3 SDCM
- Input: 220V/AC
- Dimming: On-off / 0-10V / Dimming control
- Net Weight: 2.9Kg without packing

## Order Model

Model	Power	LEDs(quantity)	Max lumens	Control system	Beam	CCT	Finish
	(W)		(lm)				
<b>ER1SF-19</b>	19(Max)	7	1128	<b>EL</b> ON-OFF	<b>S</b> 6°	<b>30</b> 3000K <b>40</b> 4000K	<b>WT</b> White Powder Coat <b>BN</b> Brushed Nickel
				220V/AC Power Supply	<b>1</b> 13°		
				<b>DL</b> 0-10V Dimming	<b>2</b> 22°		
				220V/AC Power Supply	<b>3</b> 34°		
					<b>5</b> 50°		

Example: ER1SF-19EL-S30WT

# LANNE - MODEL: ER1SF

## Down Luminaires

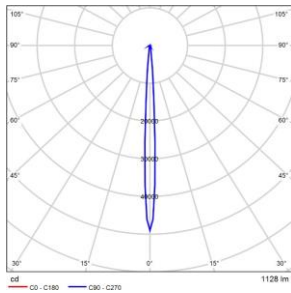


PROJECT:

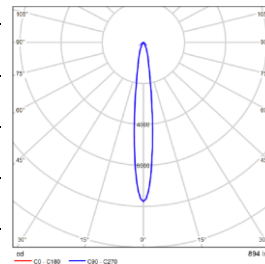
TYPE:

### Accessory

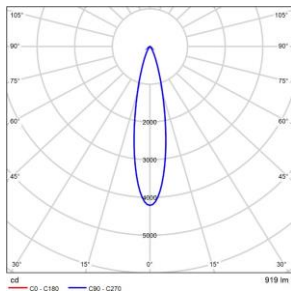
### LIGHT DISTRIBUTION@3000K LUMINAIRE DATA



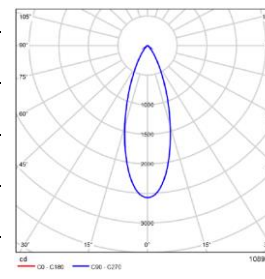
**MODEL:** ER1SF-19EL-S30WT  
**BEAM ANGLE:** 6°  
**POWER:** 22.5W  
**LUMENS:** 1128lm  
**CBCP:** /  
**EFFICACY:** 50.2lm/W



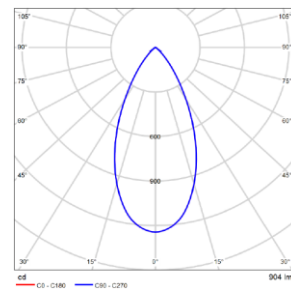
**MODEL:** ER1SF-19EL-130WT  
**BEAM ANGLE:** 13°  
**POWER:** 22.5W  
**LUMENS:** 894lm  
**CBCP:** /  
**EFFICACY:** 39.8lm/W



**MODEL:** ER1SF-19EL-230WT  
**BEAM ANGLE:** 22°  
**POWER:** 22.4W  
**LUMENS:** 919lm  
**CBCP:** /  
**EFFICACY:** 41.1lm/W



**MODEL:** ER1SF-19EL-330WT  
**BEAM ANGLE:** 34°  
**POWER:** 22.2W  
**LUMENS:** 1089lm  
**CBCP:** /  
**EFFICACY:** 49.1lm/W



**MODEL:** ER1SF-19EL-530WT  
**BEAM ANGLE:** 50°  
**POWER:** 22.2W  
**LUMENS:** 904lm  
**CBCP:** /  
**EFFICACY:** 40.7lm/W