

# FUEGO PRO- MODEL: EIR1M

In-ground Luminaires

# WAC

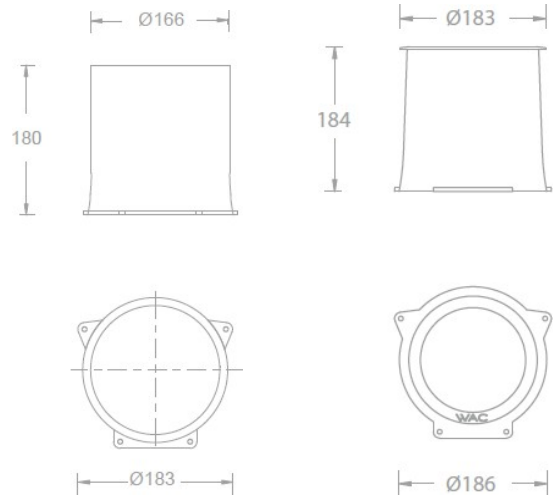
PROJECT:

TYPE:

## Product Image



## Line Drawing



## Product Description

The IP67 waterproof design and FUEGO PRO buried lamp are equipped with a patented anti condensation design, featuring symmetrical and asymmetrical wall sweeping and projection light distribution. The unique adjustable device allows for on-site adjustment of the light direction, with an adjustment range of -20 ° to 20 °. There are two types of power supply options available: 24V DC and 220V AC.

## Product Features

- Body Material: Aluminum alloy die-casting
- Optical System: Lens
- Finish: Static electricity powder coating
- Adjustable Angle: /
- Accessories: Embedded parts, suction cups, textured glass, honeycomb mesh
- Certification: CCC
- IP Rating: IP67/ IK08 (Load capacity 2000Kg)
- Insulation Level: Class III
- Operating Temperature: -20°C~50°C

## Product Specifications

- LED Type: High Power
- Power: 14W(Max)
- Source Lm: 3000K 966lm;4000K 1026lm
- LED Lifetime: >50000h-L70 / B10-Ta25°C(LM-80 / TM-21)
- CCT/CRI: 3000K,Ra80 / 4000K,Ra80
- SDCM: 3 SDCM
- Input: 24V/DC or 220V/AC
- Dimming: ON-OFF or DMX512 Dimming control
- Net Weight: 2.38Kg without packing

## Order Model

Model	Comment	Power (W)	LEDs (quantity)	Max Lumens (lm)	Control Systems	Beam	CCT	Finish
EIR1M	T Frameless	14 14(Max)	6	815	ET ON-OFF 24V/DC Power Supply	S 7°	30 3000K 40 4000K	BK Black (Frameless only) SS Stainless Steel (Frame only)
	F Frame				MT DMX512 Dimming 24V/DC Power Supply	1 13° 3 30° 4 40°		
					EL ON-OFF 220V/AC Power Supply			

# FUEGO PRO- MODEL: EIR1M

In-ground Luminaires



PROJECT:

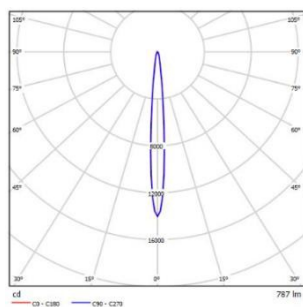
TYPE:

Example:EIR1MT-14EL-S30BK

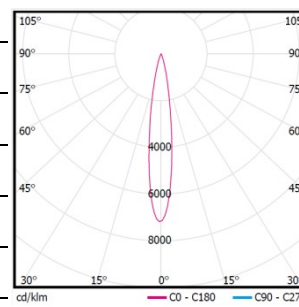
## Accessory

MEDIUM ROUND	EMBEDEDE PART		SUCTION CUP	BEAM ELONGATOR	HONEYCOMB
Model	EIR1M Series		EIR1NT-SC001	EIR1MT-BEL001	EIR1MT-HCL001
<b>EIR1MT</b> 	<b>EIR1MT-RC001</b> 	<b>EIR1MT-RC002</b> 			
<b>EIR1MF</b> 	<b>EIR1MT-RC001</b> 	<b>EIR1MF-RC002</b> 			

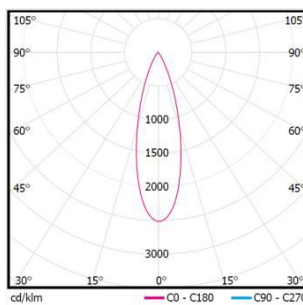
## LIGHT distribution@3000K IUMINAIRE DATA



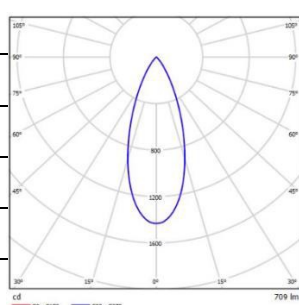
**MODEL:** EIR1MT-14EL-S30BK  
**BEAMANGLE:** 7°  
**POWER:** 14.9W  
**LUMENS:** 787lm  
**CBCP:** /  
**EFFICACY:** 53lm/W



**MODEL:** EIR1MT-14EL-130BK  
**BEAMANGLE:** 13°  
**POWER:** 14.9W  
**LUMENS:** 804lm  
**CBCP:** /  
**EFFICACY:** 54lm/W



**MODEL:** EIR1MT-14EL-330BK  
**BEAMANGLE:** 30°  
**POWER:** 14.9W  
**LUMENS:** 777.5lm  
**CBCP:** /  
**EFFICACY:** 52lm/W



**MODEL:** EIR1MT-14EL-430BK  
**BEAMANGLE:** 40°  
**POWER:** 14.9W  
**LUMENS:** 709lm  
**CBCP:** /  
**EFFICACY:** 48lm/W