

Product model:

This installation instruction is applicable to LED outdoor embedded Graze line lights.

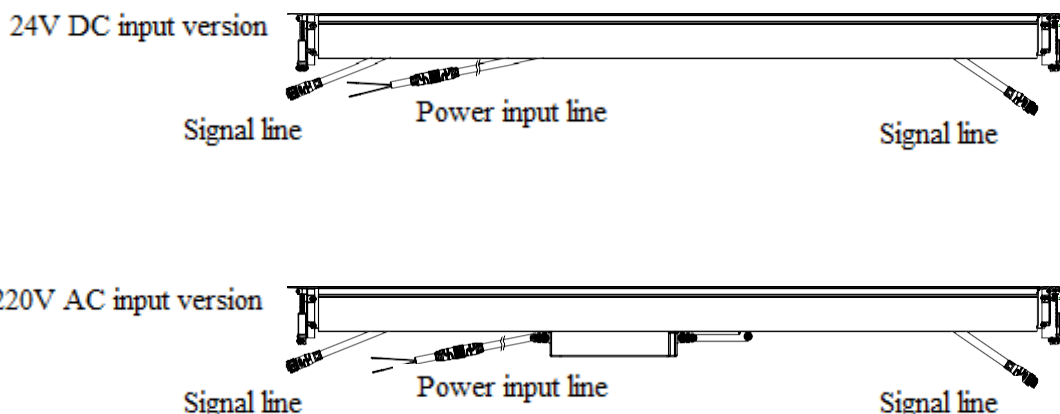
EIL403 * series, EIL405 * series, EIL410 * series.

Notes:

1. Please read the instruction manual carefully before installation;
2. Please hire a professional electrician for installation;
3. To avoid the risk of electric shock, please confirm to turn off the power before installation and maintenance;
4. Before installing the lighting fixtures, please confirm that the installation surface is firm and reliable to avoid loosening or falling off of the lighting fixtures;
5. Keep the instruction manual for reference only.

Installation method and steps:

1. The installation method of this line lamp is suitable for embedded and buried installation, and the lamp is clamped and fixed with the installation surface through the embedded lamp bracket.
2. Power cord led out from the lamp: Brown line represents the positive pole of the power supply, blue line represents the negative pole of the power supply, and when adjusting the light, pay attention to the symbol of the male and female terminals. The lighting fixtures use a 24VDC power supply, and the positive and negative poles cannot be reversed. The 220V version of the lighting fixtures comes with electrical appliances, which are distinguished according to the following structure.
3. For the DMX512 version dimming lamps, when the dimming signal lines of adjacent lamps are spliced and installed, a customized intermediate signal transition line is required. The intermediate signal transition line needs to be customized according to the actual situation on site, and the length of the line should be an additional 400mm based on the distance between the two lamps (from the end cover to the end cover) to ensure that the joint position after connection is in the embedded box.
4. Only the DMX512 version dimming lamp (24V/220V) has a signal line, as shown in the following figure



Embedded installation

1. Before installing the lighting fixtures, confirm that there is sufficient space on the windowsill or floor to install the fixtures, and ensure that the X dimension thickness is less than 25mm. L represents the length of lamps of different models, as shown in Figure 1.

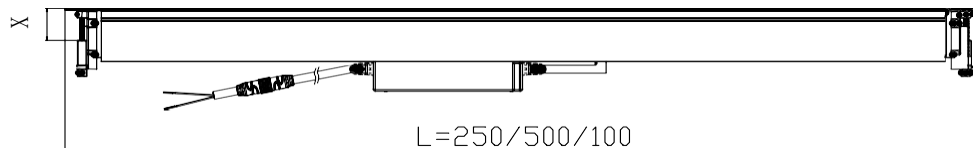


Figure 1

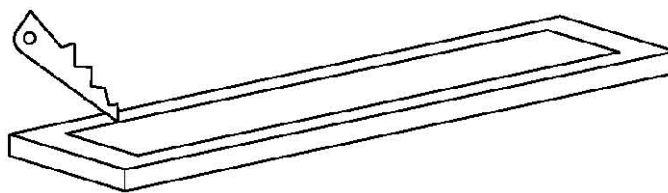


Figure 2

2. According to the model of the lighting fixture, grooves should be made on the windowsill or floor, with the corresponding dimensions as follows, and the groove shape is shown in Figure 2.

Model	Slot size	Length (mm)	Width (mm)
EIL403*		223	50
EIL405*		473	50
EIL410*		973	50

3. Use a Phillips screwdriver to rotate the M5 screw and rotate the embedded lamp bracket to the bottom (nut end) to ensure a certain locking force. Connect the power cord of the lamp to the already laid circuit (waterproof box can be added according to actual needs) (Figure 3). Then carefully install the lamp into the already opened hole, and then use a Phillips screwdriver to tighten the M5 screw and lock it. At this time, the line lamp bracket will move upwards and clamp the installation slot (Figure 4). Similarly, simply tighten the screw on the other end. Connect the power and the lamp can be used normally.

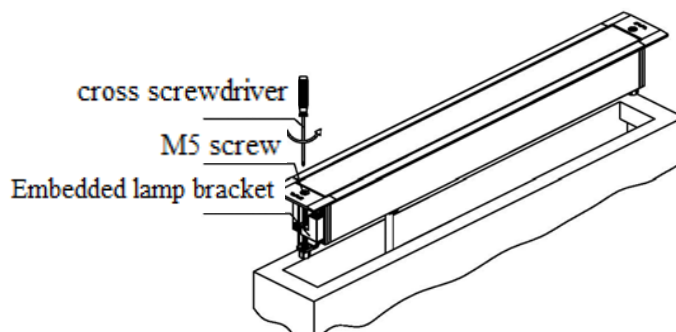


Figure 3

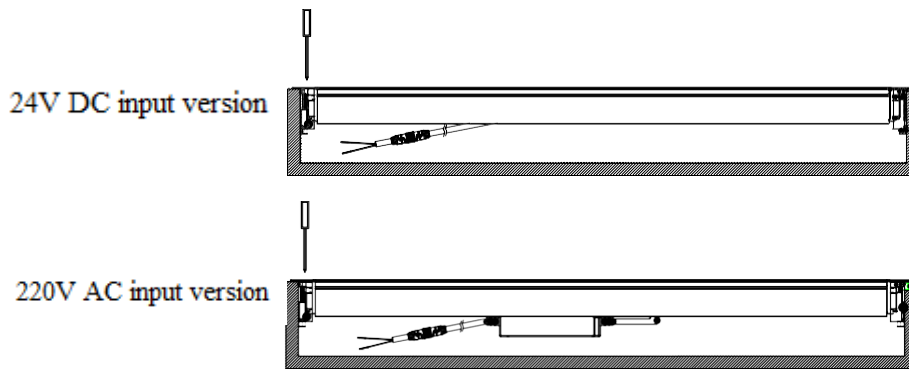


Figure 4

Buried installation

1. First, dig a groove on the ground, then install the embedded parts and connect the wires to the corresponding interface of the waterproof box. Finally, pour concrete around the embedded parts to fix them.
2. Connect the light fixture wires to the corresponding interface of the waterproof box (Figure 5).

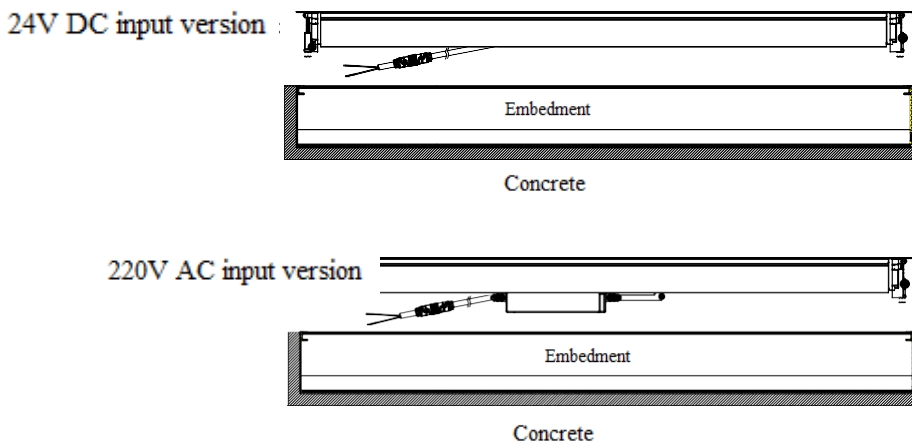
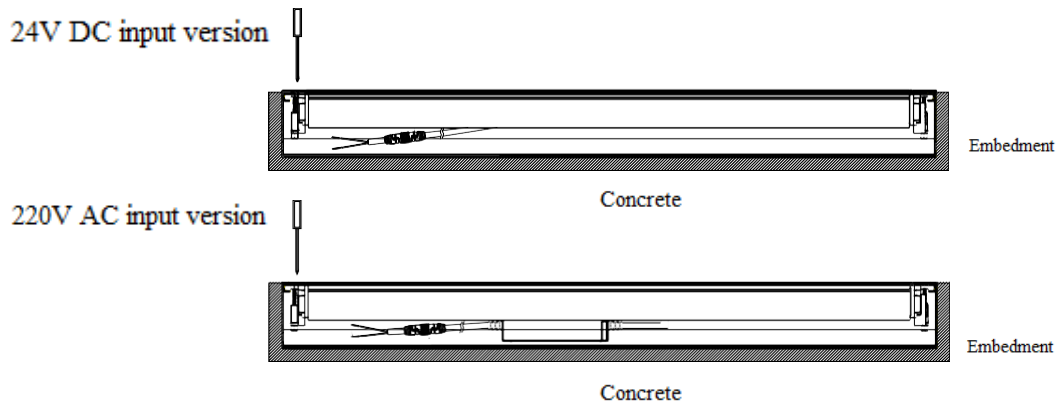


Figure 5

3. Carefully place the lamp into the embedded part, and finally use a Phillips screwdriver to rotate the M5 screw and lock it, so that the line lamp can be locked onto the embedded part (Figure 6). After the concrete solidifies, connect the power supply and it can be used normally.



Adjustable angle version description

1. Angle adjustment version, open one end of the black plastic part, use an Allen wrench to adjust the light outlet angle of the lamp in the forward or reverse direction, and adjust the lamp angle to 0-15 degrees, as shown in Figure 7.

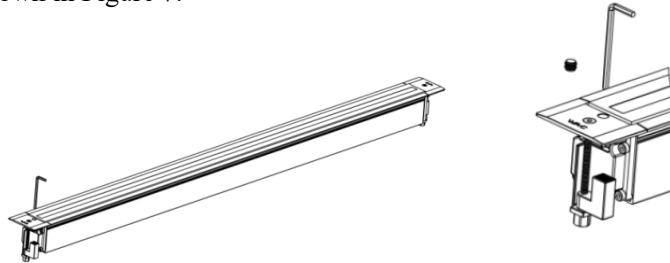


Figure 7

DMX512 Dimming Control

1. Wiring method of DMX512 dimming lamp (Figure 8).

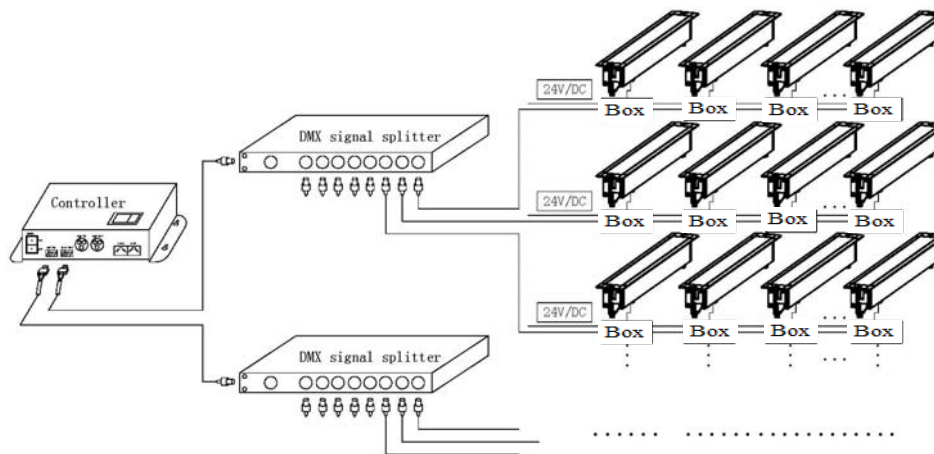


Figure 8

Remarks:

Wire connections must use waterproof junction boxes of IP67 or above, and the waterproof joints of the junction boxes must match the leads of the lighting fixtures.

It is recommended that the number of lighting fixtures connected to each power circuit should not exceed 25, and the number of lighting fixtures carried by each DMA signal amplifier should not exceed 170.