

Model:

This installation instruction is applicable to LED outdoor embedded Graze line lights

EIL103-10ET series, EIL105-28ET series, EIL110-56ET series; EIL103-10MT series, EIL105-28MT series, EIL110-56MT series.

Among them, "ET" is non dimmable, and "MT" is DMX512 dimming

Installation Precautions:

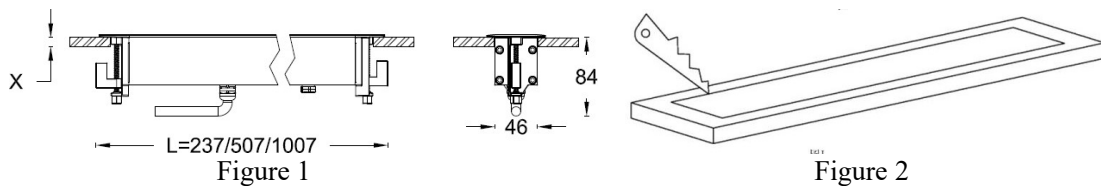
1. Please read through the Instructions before installation.
2. The product should be installed by a professional electrician.
3. Make sure the power supply is cut off before installation and maintenance, to avoid the risk of electric shock.
4. Do not install the light on an unstable or unsolid skylight, to avoid falling off.
5. Please keep this Instruction properly for future reference.

Installation method and steps:

1. The installation method of this line lamp is suitable for embedded installation and buried installation. The lamp is clamped and fixed with the installation surface through the embedded lamp bracket.
2. Power cord led out from the lamp: Brown line represents the positive pole of the power supply, black line represents the negative pole of the power supply, blue line represents the dimming positive pole, and yellow green line represents the dimming negative pole. This lamp uses a 24VDC power supply, and the positive and negative poles cannot be reversed.

I、 Embedded installation

1. Before installing the lighting fixtures, confirm that there is sufficient space on the windowsill or floor to install the fixtures, and ensure that the X dimension thickness is less than 25mm (in millimeters). As shown in Figure 1

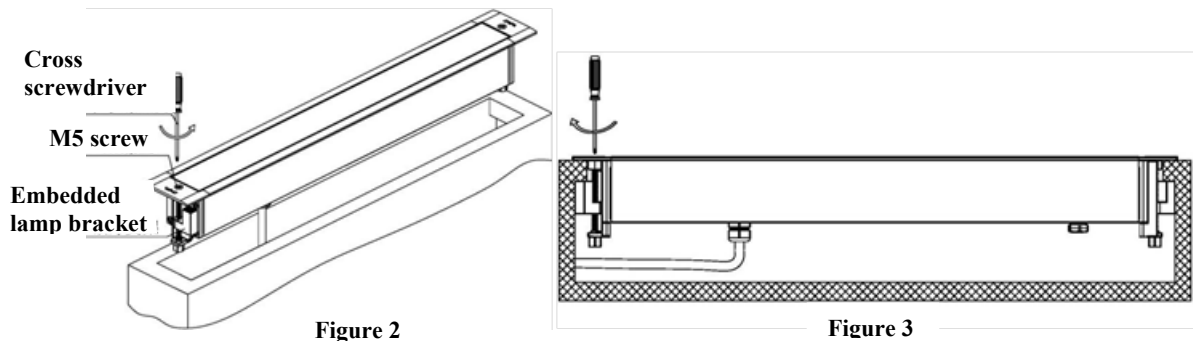


2. According to the model of the lighting fixture, grooves should be made on the windowsill or floor, with the corresponding dimensions as follows, and the groove shape is shown in Figure 2

Modle	Slot size	Length(mm)	Wide(mm)
EIL-103*		210	50
EIL-105*		480	50
EIL-110*		980	50

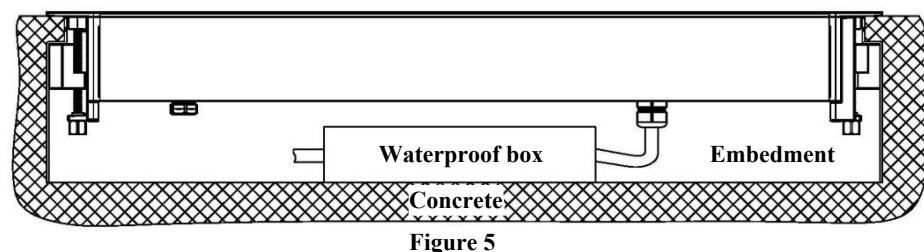
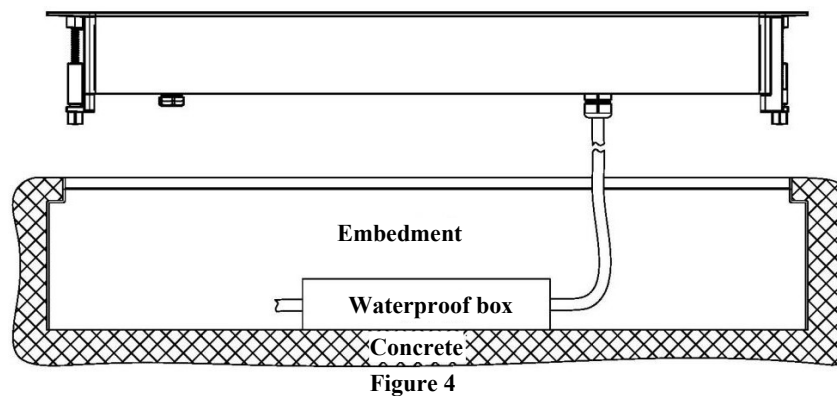
3. Use a Phillips screwdriver to rotate the M5 screw and rotate the embedded lamp bracket to the bottom

(nut end) to ensure a certain locking force. Connect the power cord of the lamp to the already laid circuit (waterproof box can be added according to actual needs) (Figure 2). Then carefully install the lamp into the already opened hole, and then use a Phillips screwdriver to tighten the M5 screw and lock it. At this time, the line lamp bracket will move upwards and clamp the installation slot (Figure 3). Similarly, simply tighten the screw on the other end. Connect the power and the lamp can be used normally



II、 Buried installation

1. First dig a groove on the ground, then install the embedded parts and connect the wires to the corresponding interface of the waterproof box. Finally, pour concrete around the embedded parts to fix them in place.
2. Connect the light fixture wires to the corresponding interface of the waterproof box (Figure 4)
3. Carefully place the lamp into the embedded part, and finally use a Phillips screwdriver to rotate the M5 screw and lock it, so that the line lamp can be locked onto the embedded part (Figure 5). After the concrete solidifies, connect the power supply and it can be used normally



III、 DMX512 Dimming Control

1. Constant voltage 24V/DC lighting fixture DMX512 dimming fixture wiring method (Figure 6).

Licensed by "WAC" trademark holder - WAC LIGHTING, USA

Chinese Marketing Headquarters

: WAC Lighting (Shanghai) Co, Ltd.

Address

: 14,Lane 299, Bi Sheng Road, Shanghai 201204,China

China factory

: Manufactured WAC Lighting (Dongguan) Co, Ltd.

Address

: 390, Qingfeng Road, Qingxi Town, Dngguan, Guangdong. Postal code: 523653

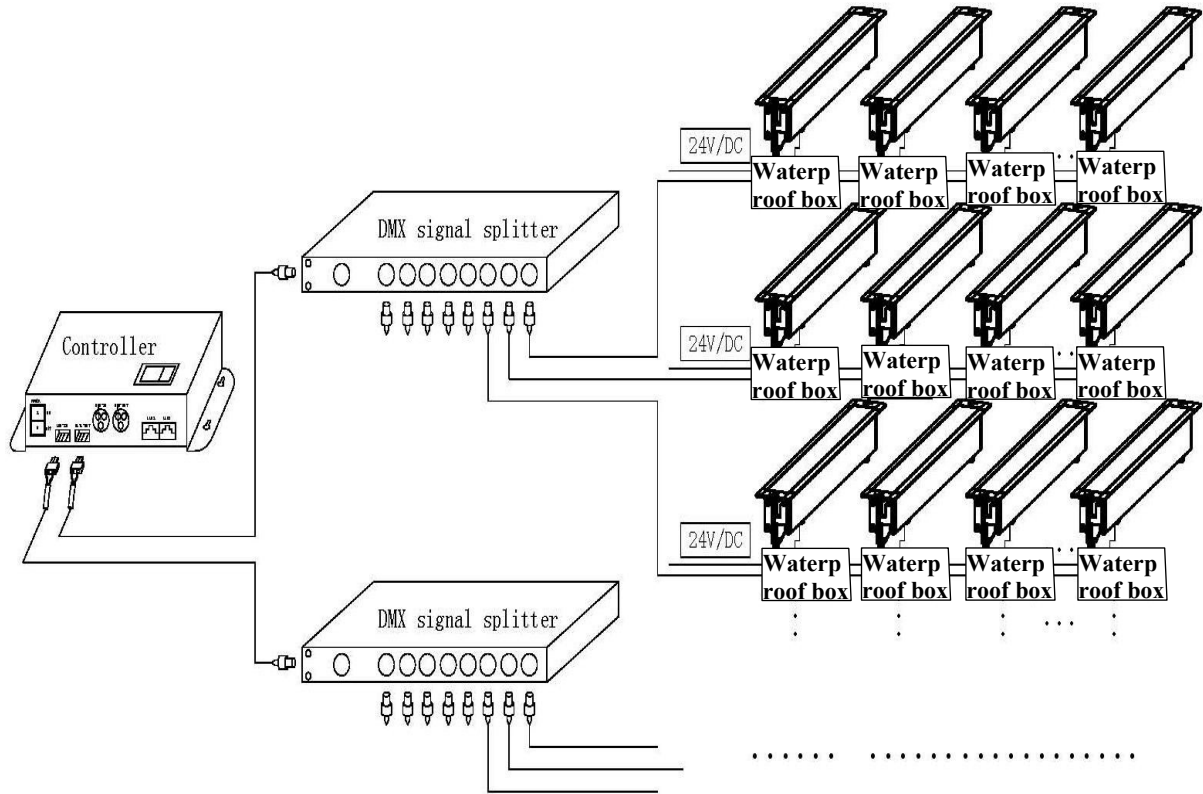


Figure 6

Remarks:

Wire connections must use waterproof junction boxes of IP67 or above, and the waterproof joints of the junction boxes must match the leads of the lighting fixtures.

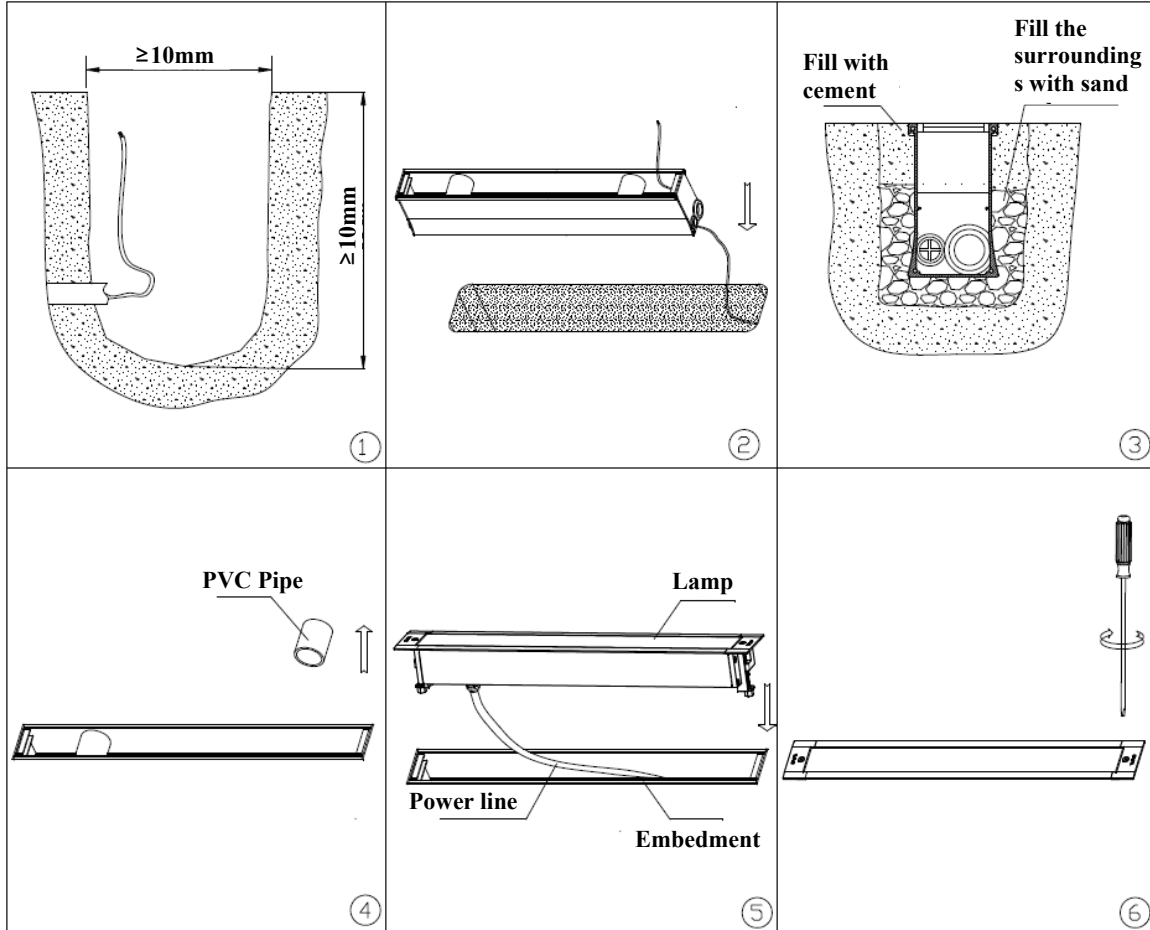
It is recommended that the number of lighting fixtures connected to each power circuit should not exceed 25, and the number of lighting fixtures carried by each DMA signal amplifier should not exceed 170

Installation Precautions:

1. Please read through the Instructions before installation.
2. The product should be installed by a professional electrician.

3. Please keep this Instruction properly for future reference.

Embed Installation:



Notes:

1. There is one PVC pipe in EIL1-RC023.
2. There are 2 PVC pipes in EIL1-RC050.
3. There are 4 PVC pipes in EIL1-RC100.