

# FUEGO COMPACT - MODEL: EIR5N

In-ground Luminaires

# WAC

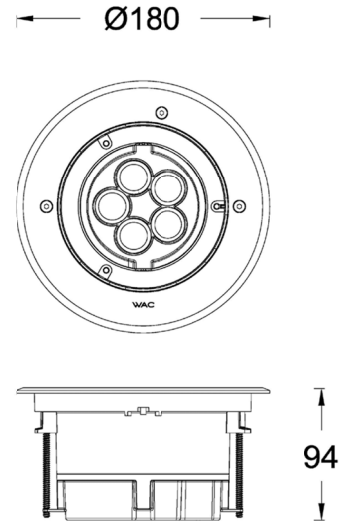
PROJECT:

TYPE:

Product Image



Line Drawing



## Product Description

FUEGO Compact Adjustable has an adjustable angle range of 0°~30°. The surface frame is made of high-quality 316 stainless steel, and the lamp body is aluminum die-casting and high-temperature powder spraying. Suitable for outdoor environments, IP67 protection level, IK08 impact resistance level, can withstand pressure of 2000kg. High transmittance lens+hidden light system. Cooperate with the design of the embedded cylinder to facilitate customer installation and maintenance. Applied to residential areas, squares, parks, shopping centers, sculpture decoration lighting, etc.

## Product Features

- Body Material: Aluminum alloy die-casting + Stainless steel frame
- Optical System: Lens+SUBROSA® Hidden light system
- Finish: Static electricity powder coating
- Adjustable Angle: 0°~30°
- Accessories: /
- Certification: CCC
- IP Rating: IP67,IK08
- Insulation Level: Class I
- Operating Temperature: -20°C~50°C

## Product Specifications

- LED Type : HIGH POWER LED
- LED Power: 8W Max
- Source Lm: 3000K 930lm
- LED Lifetime: >50000h-L70 / B10-Ta25°C(LM-80/TM-21)
- CCT/CRI: 2700K, 3000K ,4000K, Ra80
- SDCM: 3 SDCM
- Input: 220V AC/50Hz
- Dimming: ON-OFF
- Net Weight: 2.3Kg without packing

## Order Model

| Model | Comment      | Power (W)     | LEDs (quantity) | Max Lumens (lm) | Control Systems                   | Beam  | CCT                              | Finish                |
|-------|--------------|---------------|-----------------|-----------------|-----------------------------------|-------|----------------------------------|-----------------------|
| EIR5N | A Adjustable | 08<br>08(Max) | 5               | 531             | EL ON-OFF<br>220V AC Power Supply | S 7°  | 27 2700K<br>30 3000K<br>40 4000K | SS<br>Stainless Steel |
|       |              |               |                 |                 |                                   | 1 14° |                                  |                       |
|       |              |               |                 |                 |                                   | 2 20° |                                  |                       |
|       |              |               |                 |                 |                                   | 3 30° |                                  |                       |

Example: EIR5NA-08EL-

# FUEGO COMPACT - MODEL: EIR5N

In-ground Luminaires



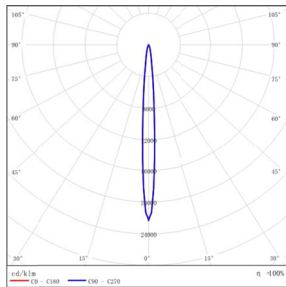
PROJECT:

TYPE:

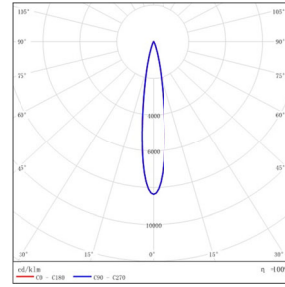
## Accessory

| Item         | Description     | Pic   | Description Dimensions  |
|--------------|-----------------|---|---|
| EIR5NA-RC001 | Recessed Casing |  |  |

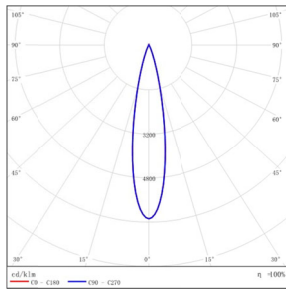
## LIGHT DISTRIBUTION@3000K LUMINAIRE DATA



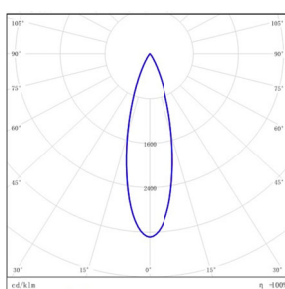
**MODEL:** EIR5NA-08EL-S30SS  
**BEAM ANGLE:** 6.9°  
**POWER:** 9.6W  
**LUMENS:** 531.2 lm  
**CBCP:** /  
**EFFICACY:** 55.23 lm /W



**MODEL:** EIR5NA-08EL-130SS  
**BEAM ANGLE:** 14.6°  
**POWER:** 9.5W  
**LUMENS:** 501.9 lm  
**CBCP:** /  
**EFFICACY:** 53.14 lm /W



**MODEL:** EIR5NA-08EL-230SS  
**BEAM ANGLE:** 20.2°  
**POWER:** 9.5W  
**LUMENS:** 521.7 lm  
**CBCP:** /  
**EFFICACY:** 54.9 lm /W



**MODEL:** EIR5NA-08EL-330SS  
**BEAM ANGLE:** 30°  
**POWER:** 9.6 W  
**LUMENS:** 515.5 lm  
**CBCP:** /  
**EFFICACY:** 53.8 lm /W

# FUEGO COMPACT - MODEL: EIR6N

In-ground Luminaires

# WAC

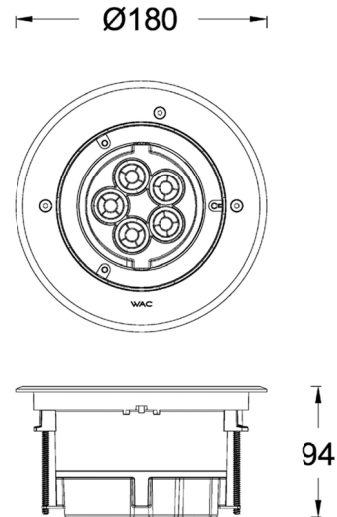
PROJECT:

TYPE:

## Product Image



## Line Drawing



## Product Description

FUEGO Compact Adjustable has an adjustable angle range of 0°~30°. The surface frame is made of high-quality 316 stainless steel, and the lamp body is aluminum die-casting and high-temperature powder spraying. Suitable for outdoor environments, IP67 protection level, IK08 impact resistance level, can withstand pressure of 2000kg. High transmittance lens+hidden light system. Cooperate with the design of the embedded cylinder to facilitate customer installation and maintenance. Applied to residential areas, squares, parks, shopping centers, sculpture decoration lighting, etc.

## Product Features

- Body Material: Aluminum alloy die-casting + Stainless steel frame
- Optical System: Lens+SUBROSA®  
Hidden light system
- Finish: Static electricity powder coating
- Adjustable Angle: 0°~30°
- Accessories: /
- Certification: CCC
- IP Rating: IP67,IK08
- Insulation Level: Class I
- Operating Temperature: -20°C~50°C

## Product Specifications

- LED Type : HIGH POWER LED
- LED Power: 8W Max
- Source Lm: 3000K 930lm
- LED Lifetime: >50000h-L70 / B10-Ta25°C(LM-80/TM-21)
- CCT/CRI: 2700K, 3000K ,4000K, Ra80
- SDCM: 3 SDCM
- Input: 220V AC/50Hz
- Dimming: ON-OFF
- Net Weight: 2.3Kg without packing

## Order Model

| Model | Comment      | Power (W)     | LEDs (quantity) | Max Lumens (lm) | Control Systems                   | Beam  | CCT                              | Finish                |
|-------|--------------|---------------|-----------------|-----------------|-----------------------------------|-------|----------------------------------|-----------------------|
| EIR6N | A Adjustable | 08<br>08(Max) | 5               | 369             | EL ON-OFF<br>220V AC Power Supply | S 7°  | 27 2700K<br>30 3000K<br>40 4000K | SS<br>Stainless Steel |
|       |              |               |                 |                 |                                   | 1 13° |                                  |                       |
|       |              |               |                 |                 |                                   | 2 20° |                                  |                       |
|       |              |               |                 |                 |                                   | 3 30° |                                  |                       |

Example: EIR6NA-08EL-S27SS

# FUEGO COMPACT - MODEL: EIR6N

In-ground Luminaires



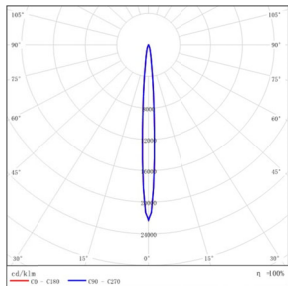
PROJECT:

TYPE:

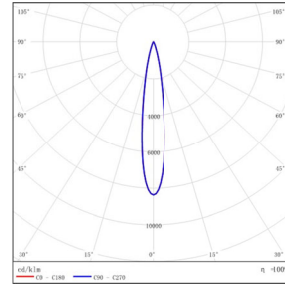
## Accessory

| Item         | Description     | Pic   | Description Dimensions  |
|--------------|-----------------|---|---|
| EIR5NA-RC001 | Recessed Casing |  |  |

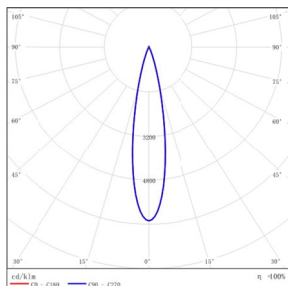
## LIGHT DISTRIBUTION@3000K LUMINAIRE DATA



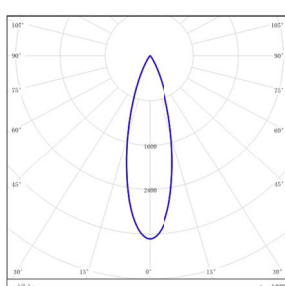
**MODEL:** EIR6NA-08EL-S30SS  
**BEAM ANGLE:** 7.3°  
**POWER:** 9.6W  
**LUMENS:** 369 lm  
**CBCP:** /  
**EFFICACY:** 38.32 lm /W



**MODEL:** EIR6NA-08EL-130SS  
**BEAM ANGLE:** 13.1°  
**POWER:** 9.4W  
**LUMENS:** 300 lm  
**CBCP:** /  
**EFFICACY:** 31.74 lm /W



**MODEL:** EIR6NA-08EL-230SS  
**BEAM ANGLE:** 20°  
**POWER:** 9.5W  
**LUMENS:** 321 lm  
**CBCP:** /  
**EFFICACY:** 33.83 lm /W



**MODEL:** EIR6NA-08EL-330SS  
**BEAM ANGLE:** 30°  
**POWER:** 9.6 W  
**LUMENS:** 322 lm  
**CBCP:** /  
**EFFICACY:** 33.61 lm /W