

Product model:

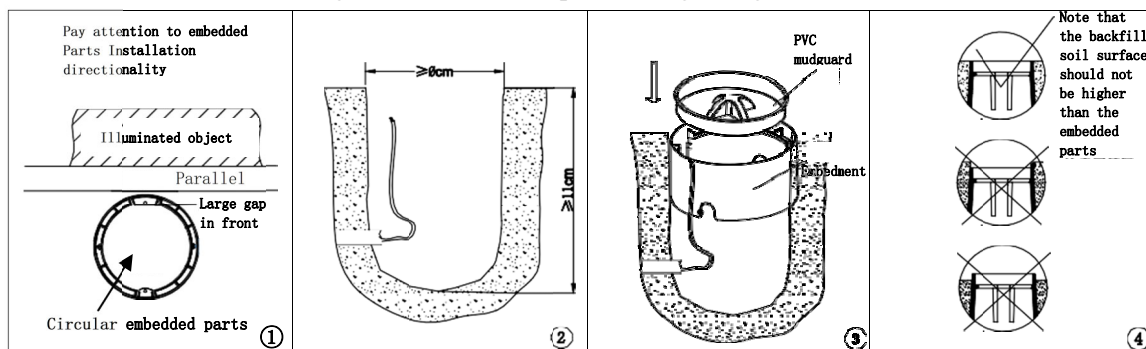
This installation instruction is applicable to LED ultra-thin buried lights EIR5NF; EIR6NF; EIR7NF; EIR8NF; EIR5SF; EIR6SF; EIR7SF; EIR8SF EIR5MF; EIR6MF; EIR7MF; EIR8MF.

Installation Statement:

1. Please read the manual carefully before installation and keep it for reference only;
To prevent the lamp from being submerged in water for a long time, drainage pipes or drainage devices should be installed at the bottom;
3. To avoid the risk of electric shock, please confirm to turn off the power before installation and maintenance;
4. Please have a professional electrician install it.

Ground installation:

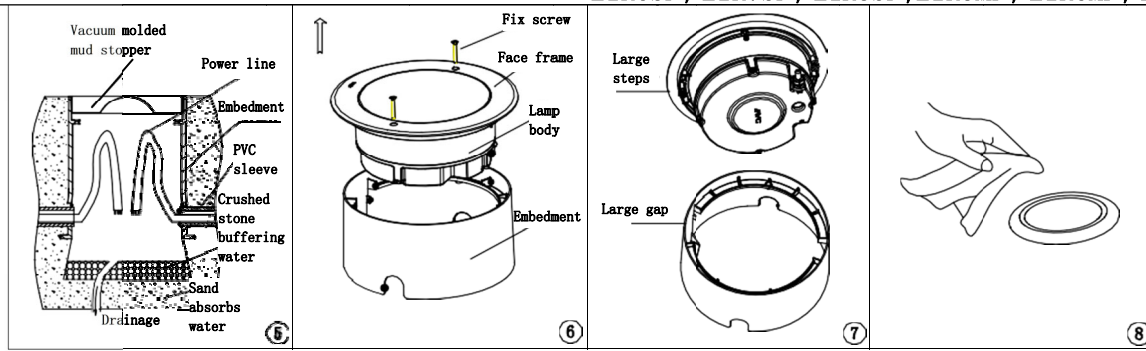
1. First, open holes at the location where the lighting fixtures are to be installed according to the corresponding model of the lighting fixture as shown in Figure 1 ①, with a depth of $\geq 110\text{mm}$. The diameter size is shown in Figure 1;
Note:
 - It is recommended to place crushed stones, sand, and other materials at the bottom of the hole to prevent water accumulation;
 - The lamp has waterproof function, but considering that water accumulation may affect the stability of the wire and wiring, it is recommended to add drainage holes to the installation holes.
2. As shown in Figure 1 ③, place the embedded parts (to be purchased separately) into the excavated holes, cover them with PVC mud guards, and backfill with soil;
 - Note that the embedded parts should be installed flush with the ground: Figure 1 ④;
 - The large gap on the embedded part needs to be placed forward: Figure 1 ①;
3. Connect the lamp lead to the 220VAC power line according to Figure 1 ⑤, and pay attention to waterproofing treatment at the wire connection. The backfill soil surface should not be higher than the embedded parts;
4. Place the lamp into the embedded part as shown in Figure 1 ⑥, pay attention to the direction of placement, and fix the lamp with fixing screws after placement;
Attention: Align the large steps on the lamp body with the direction of the large gap on the embedded part and insert them: Figure 1 ⑦;
5. Clean the surface of the light outlet of the lamp according to Figure 1 ⑧.





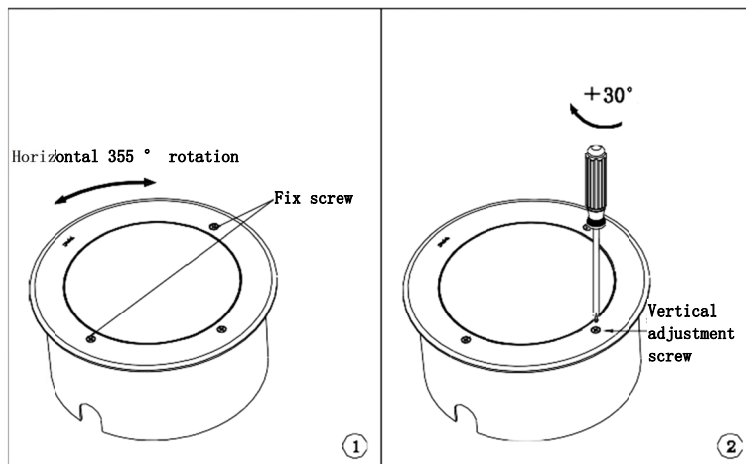
Installation instructions for LED ultra-thin buried lights

Model: EIR5NF; EIR6NF; EIR7NF; EIR8NF EIR5SF;
EIR6SF; EIR7SF; EIR8SF; EIR5MF; EIR6MF; EIR7MF; EIR8MF



Type	Dimension ϕ A	Model of embedded parts	Chart 1
EIR5NF/ EIR6NF/ EIR7NF/ EIR8NF	ϕ 165mm	EIR5NF-RC001	
EIR5SF/ EIR6SF/ EIR7SF/ EIR8SF	ϕ 185mm	EIR5SF-RC001	
EIR5MF/ EIR6MF/ EIR7MF/ EIR8MF	ϕ 225mm	EIR5MF-RC001	

Adjustable version angle adjustment instructions:

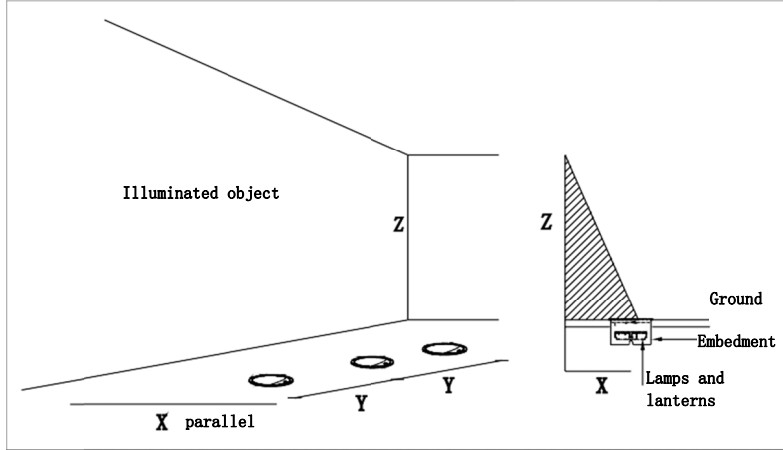


Product adjustable angle version description:

1. Horizontal angle adjustment: Place the lamp into the embedded part, rotate it horizontally to the desired angle, and then fix the screw (angle) Horizontally adjustable at 355 °.
2. Vertical angle adjustment: Use a cross screwdriver to rotate the adjustment screw at the position shown in Figure 2 ①, and adjust the light source module inside the lamp Adjust the group projection angle to the desired position.

Schematic diagram of installation distance for wall washing version lighting fixtures:

1. Common installation parameters



Model	X Max	Y	Z
EIR7NF*	0.5m	$\leq X$	$\leq 3X$
EIR7SF*	1m	$\leq X$	$\leq 3X$
EIR8MF*	1m	$\leq X$	$\leq 3X$