

Product model:

This installation instruction is applicable to D110mm ultra-thin buried lamp: EIR5TF; EIR6TF; EIR7TF; EIR8TF; EIR5TA; EIR6TA

Installation Precautions:

1. Please read the manual carefully before installation and keep it for reference only;
2. To prevent the lamp from being submerged in water for a long time, drainage pipes or drainage devices should be installed at the bottom;
3. To avoid the risk of electric shock, please confirm to turn off the power before installation and maintenance, and have a professional electrician install it.

Ground installation:

1. First, drill holes at the location where the lighting fixtures are to be installed according to the corresponding model of the lighting fixture as shown in Figure 1 ①, with a drilling depth of ≥ 110 mm. The diameter size is shown in Table 1;

Note: ● It is recommended to place crushed stones, sand, and other materials at the bottom of the hole to prevent water accumulation;

● The lamp has waterproof function, but considering that water accumulation may affect the stability of the wire and wiring, it is recommended to add drainage holes to the installation holes.

2. As shown in Figure 1 ③, place the embedded parts (to be purchased separately) into the excavated holes, cover them with PVC mud barriers, and backfill with soil;

● Note that the embedded parts must be installed flush with the ground: Figure 1 ④;

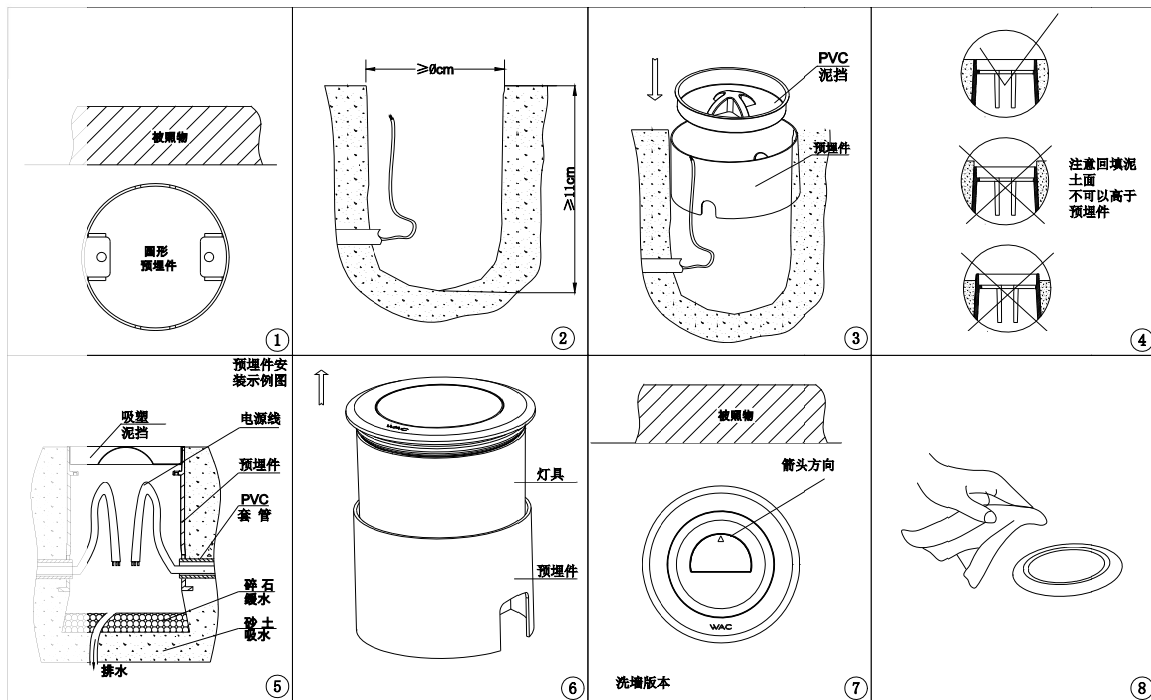
3. Connect the lead wire of the lamp to the power line according to Figure 1 ⑤, and pay attention to waterproofing treatment at the wire connection. The backfill soil surface should not be higher than the embedded parts;
DMX512 version: According to the dimming label "D+", "D -", "Gnd" and the marking on the dimmer+; -, Grounding corresponding connection;

Waterproof treatment is required at the connection of the wire, and it is prohibited to connect to the mains.

4. Place the lamp into the embedded part as shown in Figure 1 ⑥, and adjust the placement direction as needed (adjustable horizontally from 0 to 360 °);

Note: ● Pay attention to the installation direction of the wall washing version of the lighting fixture, with the arrow pointing towards the illuminated object (see Figure 1 ⑦);

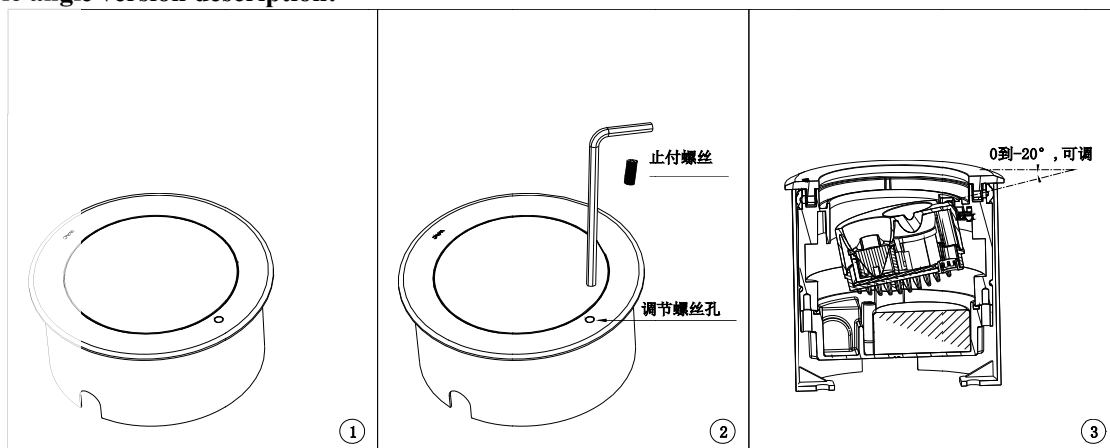
5. Clean the surface of the light outlet of the lamp according to Figure 1 ⑧.



Model	Drilling diameter	Model of embedded parts
EIR5TF-*; EIR6TF-* EIR5TA-*; EIR6TA-* EIR7TF-*; EIR8TF-*	Φ 108mm	EIR5TF-RC001

Table 1

Adjustable angle version description:

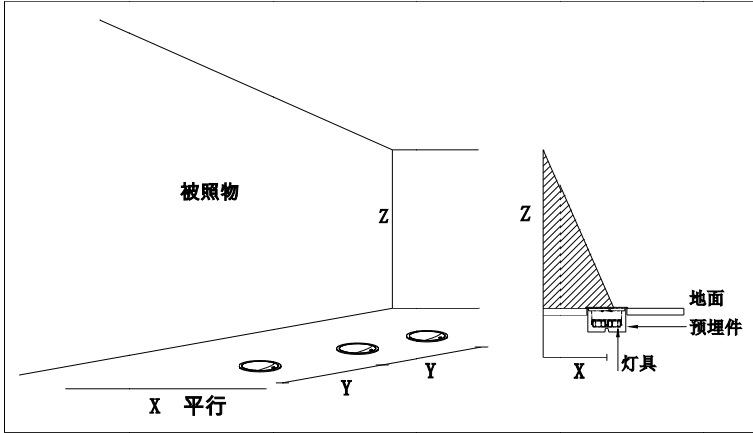


Product adjustable angle version description:

1. Use an Allen wrench (2.5mm) to unscrew the allen screw in the adjustment screw hole;
2. Put the hex wrench (3mm) into the adjustment hole, turn the wrench to adjust the angle (0 to -20 °), and adjust the angle of illumination of the light source to the desired angle;
3. After adjusting the angle, tighten the stop screw back and flush the cover.

Schematic diagram of installation distance for wall washing version lighting fixtures:

1. The commonly used parameters for installation distance are shown in the table below;



Model	X Max	Y	Z
EIR7TF*	0.5m	0.4m	2m