

# FUEGO COMPACT - MODEL: EIR5M

In-ground Luminaires

# WAC

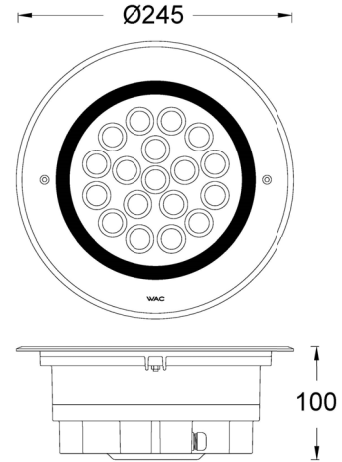
PROJECT:

TYPE:

**Product Image**



**Line Drawing**



## Product Description

The FUEGO Compact face frame is made of high-quality 316 stainless steel, with the lamp body made of aluminum die-casting and high-temperature powder spraying. Suitable for outdoor environments, IP67 protection level, IK08 impact resistance level, can withstand pressure of 2000kg. High transmittance lens+patented hidden light system. Cooperate with the design of the embedded cylinder to facilitate customer installation and maintenance. Applied to residential areas, squares, parks, shopping centers, sculpture decoration lighting, etc.

## Product Features

- Body Material: Stainless steel frame+ aluminum die-casting lamp body
- Optical System: Lens+SUBROSA ® Hidden light system
- Finish: Electrostatic powder coating
- Adjustable Angle: /
- Accessories: /
- Certification: CCC
- IP Rating: IP67,IK08
- Insulation Level: Class I
- Operating Temperature: -20°C~50°C

## Product Specifications

- LED Type: High Power LED
- LED Power: 33W Max
- Source Lm: 3000K 2800lm;
- LED Lifetime: >50000h-L70 /B10-Ta25°C(LM-80/TM-21)
- CCT/CRI: 2700K/ 3000K/4000K, Ra80
- SDCM: 3 SDCM
- Input: 220V AC / 50Hz
- Dimming: On-off
- Net Weight: 3.53Kg without packing

## Order Model

Model	Comment	Power (W)	LEDs (quantity)	Max Lumens (lm)	Control Systems	Beam	CCT	Finish
EIR5M High Lumens	F Frame	33 33(Max)	18	2500	EL ON-OFF 220V AC Power Supply	S 1 7° 2 14° 3 20° 3 30°	27 2700K	SS Stainles s Steel
		27 27(Max)	18	2045	ML DMX512 Dimming 220V AC Power Supply		30 3000K 40 4000K	

Example: EIR5MF-33EL-S27SS

WAC Lighting  
www.waclighting.com (US)  
www.waclighting.com.cn (China)

Headquarters  
44 Harbor Park Drive • Port Washington, NY  
Phone (516) 515.5000 • Fax (516) 515.5050

WAC Lighting(Shanghai)  
14,Lane 299, Bi Sheng Road, Shanghai 201204,China  
Phone (86.21) 3393.3558 • Fax (86.21) 3362.1598

WAC Lighting reserves the right to periodically design and update products.2024-01-29

# FUEGO COMPACT - MODEL: EIR5M

In-ground Luminaires

# WAC

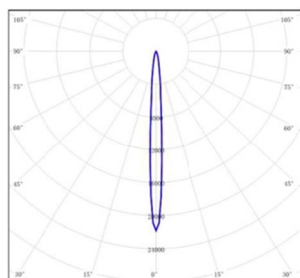
PROJECT:

TYPE:

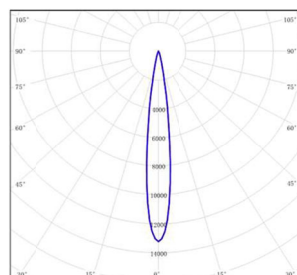
## Accessories

Item	Description	Pic	Description Dimensions
EIR5MF-RC001	Recessed Casing		

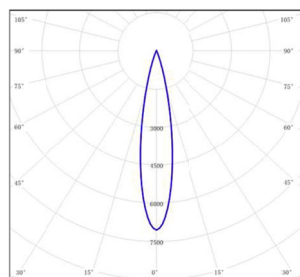
## LIGHT DISTRIBUTION@3000K LUMINAIRE DATA



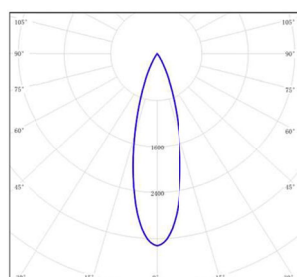
<b>MODEL:</b>	EIR5MF-33EL-S30SS
<b>BEAM ANGLE:</b>	7°
<b>POWER:</b>	38.67W
<b>LUMENS:</b>	2427 lm
<b>CBCP:</b>	/
<b>EFFICACY:</b>	62.78 lm /W



<b>MODEL:</b>	EIR5MF-33EL-130SS
<b>BEAM ANGLE:</b>	14°
<b>POWER:</b>	44W
<b>LUMENS:</b>	2368 lm
<b>CBCP:</b>	/
<b>EFFICACY:</b>	62.4 lm /W



<b>MODEL:</b>	EIR5MF-33EL-230SS
<b>BEAM ANGLE:</b>	20°
<b>POWER:</b>	38.7W
<b>LUMENS:</b>	2500 lm
<b>CBCP:</b>	/
<b>EFFICACY:</b>	64.64 lm /W



<b>MODEL:</b>	EIR5MF-33EL-330SS
<b>BEAM ANGLE:</b>	30°
<b>POWER:</b>	37.8 W
<b>LUMENS:</b>	2268 lm
<b>CBCP:</b>	/
<b>EFFICACY:</b>	60 lm /W

WAC Lighting  
www.waclighting.com (US)  
www.waclighting.com.cn (China)

Headquarters  
44 Harbor Park Drive • Port Washington, NY  
Phone (516) 515.5000 • Fax (516) 515.5050

WAC Lighting(Shanghai)  
14,Lane 299, Bi Sheng Road, Shanghai 201204,China  
Phone (86.21) 3393.3558 • Fax (86.21) 3362.1598

WAC Lighting reserves the right to periodically design and update products.2024-01-29

# FUEGO COMPACT - MODEL: EIR6M

In-ground Luminaires

# WAC

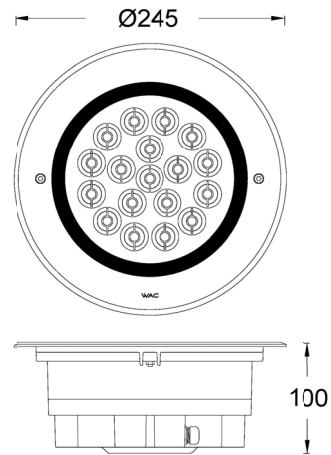
PROJECT:

TYPE:

**Product Image**



**Line Drawing**



## Product Description

The FUEGO Compact face frame is made of high-quality 316 stainless steel, with the lamp body made of aluminum die-casting and high-temperature powder spraying. Suitable for outdoor environments, IP67 protection level, IK08 impact resistance level, can withstand pressure of 2000kg. Efficient anti glare+patented hidden light system, with a cut-off angle of 38°. Cooperate with the design of the embedded cylinder to facilitate customer installation and maintenance. Suitable for residential areas, squares, parks, shopping centers, sculpture decoration lighting, etc.

## Product Features

- Body Material: Stainless steel frame+ aluminum die-casting lamp body
- Optical System: Lens+SUBROSA® Hidden light system
- Finish: Electrostatic powder coating
- Adjustable Angle: /
- Accessories: /
- Certification: CCC
- IP Rating: IP67,IK08
- Insulation Level: Class I
- Operating Temperature: -20°C~50°C

## Product Specifications

- LED Type: High Power LED
- LED Power: 33W Max
- Source Lm: 3000K 2800lm;
- LED Lifetime: >50000h-L70 /B10-Ta25°C(LM-80/TM-21)
- CCT/CRI: 2700K/ 3000K/4000K, Ra80
- SDCM: 3 SDCM
- Input: 220V AC / 50Hz
- Dimming: On-off
- Net Weight: 3.53Kg without packing

## Order Model

Model	Comment	Power (W)	LEDs (quantity)	Max Lumens (lm)	Control Systems	Beam	CCT	Finish
EIR6M Super Comfort	F Frame	33 33(Max)	18	1607	EL ON-OFF 220V AC Power Supply	S 7° 1 13°	27 2700K 30 3000K	SS Stainless Steel
		27 27(Max)	18	1315	ML DMX512 Dimming 220V AC Power Supply	2 20° 3 30°	40 4000K	

Example: EIR6MF-33EL-S27SS

WAC Lighting  
www.waclighting.com (US)  
www.waclighting.com.cn (China)

Headquarters  
44 Harbor Park Drive • Port Washington, NY  
Phone (516) 515.5000 • Fax (516) 515.5050

WAC Lighting(Shanghai)  
14,Lane 299, Bi Sheng Road, Shanghai 201204,China  
Phone (86.21) 3393.3558 • Fax (86.21) 3362.1598

WAC Lighting reserves the right to periodically design and update products.2024-01-29

# FUEGO COMPACT - MODEL: EIR6M

## In-ground Luminaires

# WAC

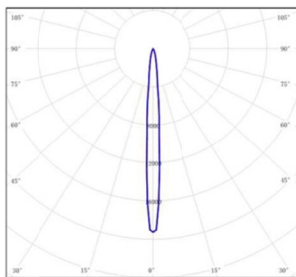
PROJECT:

TYPE:

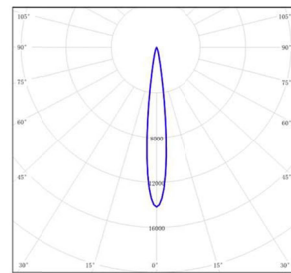
### Accessories

Item	Description	Pic	Description Dimensions
EIR5MF-RC001	Recessed Casing		

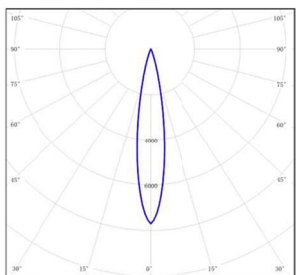
### LIGHT DISTRIBUTION@3000K LUMINAIRE DATA



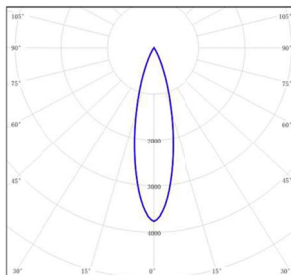
<b>MODEL:</b>	EIR6MF-33EL-S30SS
<b>BEAM ANGLE:</b>	6.9°
<b>POWER:</b>	37.84W
<b>LUMENS:</b>	1607 lm
<b>CBCP:</b>	/
<b>EFFICACY:</b>	42.46 lm /W



<b>MODEL:</b>	EIR6MF-33EL-130SS
<b>BEAM ANGLE:</b>	13.2°
<b>POWER:</b>	37.8W
<b>LUMENS:</b>	1400 lm
<b>CBCP:</b>	/
<b>EFFICACY:</b>	37 lm /W



<b>MODEL:</b>	EIR6MF-33EL-230SS
<b>BEAM ANGLE:</b>	18.8°
<b>POWER:</b>	38.65W
<b>LUMENS:</b>	1410 lm
<b>CBCP:</b>	/
<b>EFFICACY:</b>	36.49 lm /W



<b>MODEL:</b>	EIR6MF-33EL-330SS
<b>BEAM ANGLE:</b>	30°
<b>POWER:</b>	37.84 W
<b>LUMENS:</b>	1375 lm
<b>CBCP:</b>	/
<b>EFFICACY:</b>	36.35 lm /W

WAC Lighting  
[www.waclighting.com](http://www.waclighting.com) (US)  
[www.waclighting.com.cn](http://www.waclighting.com.cn) (China)

Headquarters  
 44 Harbor Park Drive • Port Washington, NY  
 Phone (516) 515.5000 • Fax (516) 515.5050

WAC Lighting(Shanghai)  
 14,Lane 299, Bi Sheng Road, Shanghai 201204,China  
 Phone (86.21) 3393.3558 • Fax (86.21) 3362.1598

WAC Lighting reserves the right to periodically design and update products.2024-01-29