

# FUEGO COMPACT - MODEL: EIR5N

In-ground Luminaires

# WAC

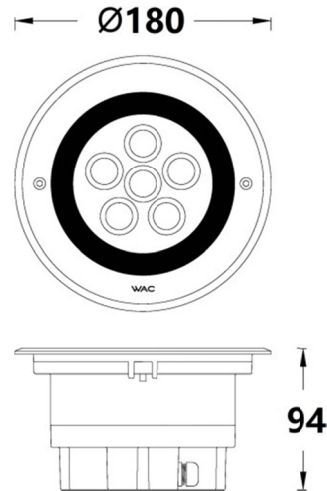
PROJECT:

TYPE:

**Product Image**



**Line Drawing**



## Product Description

The FUEGO Compact face frame is made of high-quality 316 stainless steel, with the lamp body made of aluminum die-casting and high-temperature powder spraying. Suitable for outdoor environments, IP67 protection level, IK08 impact resistance level, can withstand pressure of 2000kg high transmittance lens+patented hidden light system. Cooperate with the design of the embedded cylinder to facilitate customer installation and maintenance. Applied to residential areas, squares, parks, shopping centers, sculpture decoration lighting, etc.

## Product Features

- Body Material: Stainless steel frame+ aluminum die-casting lamp body
- Optical System: Lens +SUBROSA® Hidden light system
- Finish: Electrostatic powder coating
- Adjustable Angle: /
- Accessories: /
- Certification: CCC
- IP Rating: IP67,IK08
- Insulation Level: Class I
- Operating Temperature: -20°C~50°C

## Product Specifications

- LED Type: High Power LED
- LED Power: 13W Max
- Source Lm: 3000K 930lm;
- LED Lifetime: >50000h-L70 /B10-Ta25°C(LM-80/TM-21)
- CCT/CRI: 2700K/ 3000K/4000K, Ra80
- SDCM: 3 SDCM
- Input: 220V AC / 50Hz
- Dimming: On-off
- Net Weight: 1.7Kg without packing

## Order Model

Model	Comment	Power (W)	LEDs (quantity)	Max Lumens (lm)	Control Systems	Beam	CCT	Finish
<b>EIR5N</b>		<b>13</b>				<b>S</b> 7°	<b>27</b> 2700K	<b>SS</b>
High Lumens	<b>F</b> Frame	13(Max)	6	877	<b>EL</b> ON-OFF 220V AC Power Supply	<b>1</b> 14° <b>2</b> 20° <b>3</b> 30°	<b>30</b> 3000K <b>40</b> 4000K	Stainless Steel

Example: EIR5NF-13EL-S27SS

WAC Lighting  
www.waclighting.com (US)  
www.waclighting.com.cn (China)

Headquarters  
44 Harbor Park Drive • Port Washington, NY  
Phone (516) 515.5000 • Fax (516) 515.5050

WAC Lighting(Shanghai)  
14,Lane 299, Bi Sheng Road, Shanghai 201204,China  
Phone (86.21) 3393.3558 • Fax (86.21) 3362.1598

WAC Lighting reserves the right to periodically design and update products.2024-01-29

# FUEGO COMPACT - MODEL: EIR5N

In-ground Luminaires



PROJECT:

TYPE:

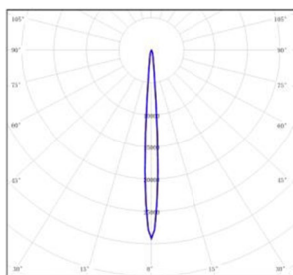
Model	Comment	Power (W)	LEDs (quantity)	Max Lumens (lm)	Control Systems	Beam	CCT	Finish
<b>EIR5N</b> High Lumens	<b>F</b> Frame	<b>09</b> 9(Max)	6	607	<b>ML</b> DMX 512 Dimming 220V AC Power Supply	<b>S</b> 7° <b>1</b> 14° <b>2</b> 20° <b>3</b> 30°	<b>27</b> 2700K <b>30</b> 3000K <b>40</b> 4000K	<b>SS</b> Stainless Steel

Example : EIR5NF-09ML-S27SS

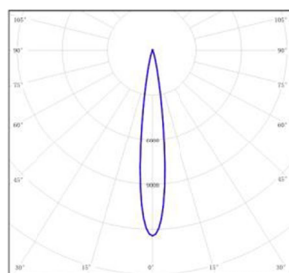
## Accessories

Item	Description	Pic	Description Dimensions
EIR5NF-RC001	Recessed Casing		

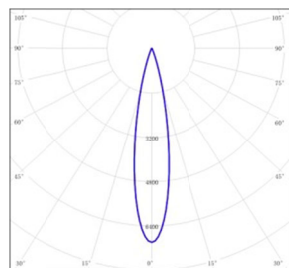
## LIGHT DISTRIBUTION@3000K LUMINAIRE DATA



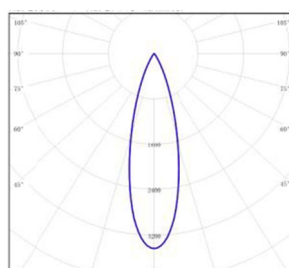
<b>MODEL:</b>	EIR5NF-13EL-S30SS
<b>BEAM ANGLE:</b>	7.5°
<b>POWER:</b>	15.3W
<b>LUMENS:</b>	865 lm
<b>CBCP:</b>	/
<b>EFFICACY:</b>	56.5 lm /W



<b>MODEL:</b>	EIR5NF-13EL-130SS
<b>BEAM ANGLE:</b>	14.3°
<b>POWER:</b>	15.32W
<b>LUMENS:</b>	875.6 lm
<b>CBCP:</b>	/
<b>EFFICACY:</b>	57.13 lm /W



<b>MODEL:</b>	EIR5NF-13EL-230SS
<b>BEAM ANGLE:</b>	20°
<b>POWER:</b>	15.34W
<b>LUMENS:</b>	877.4 lm
<b>CBCP:</b>	/
<b>EFFICACY:</b>	57.19 lm /W



<b>MODEL:</b>	EIR5NF-13EL-330SS
<b>BEAM ANGLE:</b>	30°
<b>POWER:</b>	15.3 W
<b>LUMENS:</b>	842 lm
<b>CBCP:</b>	/
<b>EFFICACY:</b>	55 lm /W

WAC Lighting  
www.waclighting.com (US)  
www.waclighting.com.cn (China)

Headquarters  
44 Harbor Park Drive • Port Washington, NY  
Phone (516) 515.5000 • Fax (516) 515.5050

WAC Lighting(Shanghai)  
14,Lane 299, Bi Sheng Road, Shanghai 201204,China  
Phone (86.21) 3393.3558 • Fax (86.21) 3362.1598

# FUEGO COMPACT - MODEL: EIR6N

In-ground Luminaires

# WAC

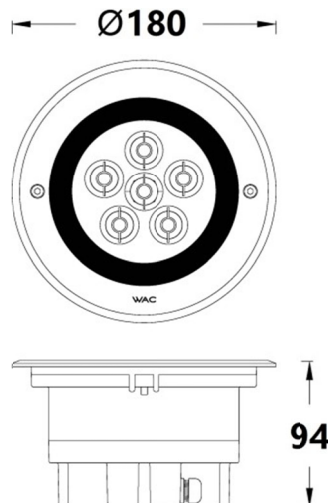
PROJECT:

TYPE:

Product Image



Line Drawing



## Product Description

The FUEGO Compact face frame is made of high-quality 316 stainless steel, with the lamp body made of aluminum die-casting and high-temperature powder spraying. It is suitable for outdoor environments, with an IP67 protection level and an IK08 impact resistance level. It can withstand pressure of 2000kg and has a high-efficiency anti glare and patented hidden light system. Cooperate with the design of the embedded cylinder to facilitate customer installation and maintenance. Applied to residential areas, squares, parks, shopping centers, sculpture decoration lighting, etc.

## Product Features

- Body Material: Stainless steel frame+ aluminum die-casting lamp body
- Optical System: Lens +SUBROSA® Hidden light system
- Finish: Electrostatic powder coating
- Adjustable Angle: /
- Accessories: /
- Certification: CCC
- IP Rating: IP67,IK08
- Insulation Level: Class I
- Operating Temperature: -20°C~50°C

## Product Specifications

- LED Type: High Power LED
- LED Power: 13W Max
- Source Lm: 3000K 930lm;
- LED Lifetime: >50000h-L70 /B10-Ta25°C(LM-80/TM-21)
- CCT/CRI: 2700K/ 3000K/4000K, Ra80
- SDCM: 3 SDCM
- Input: 220V AC / 50Hz
- Dimming: On-off
- Net Weight: 1.7Kg without packing

## Order Model

Model	Comment	Power (W)	LEDs (quantity)	Max Lumens (lm)	Control Systems	Beam	CCT	Finish
EIR6N	F Frame	13 13(Max)	6	663	EL ON-OFF 220V AC Power Supply	S 7° 1 13° 2 20° 3 30°	27 2700K 30 3000K 40 4000K	SS Stainless Steel

Example : EIR6NF-13EL-S27SS

WAC Lighting  
www.waclighting.com (US)  
www.waclighting.com.cn (China)

Headquarters  
44 Harbor Park Drive • Port Washington, NY  
Phone (516) 515.5000 • Fax (516) 515.5050

WAC Lighting(Shanghai)  
14,Lane 299, Bi Sheng Road, Shanghai 201204,China  
Phone (86.21) 3393.3558 • Fax (86.21) 3362.1598

# FUEGO COMPACT - MODEL: EIR6N

In-ground Luminaires



PROJECT:

TYPE:

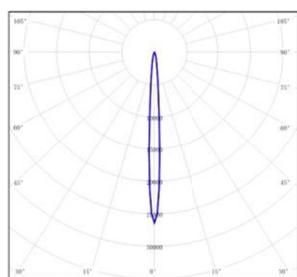
Model	Comment	Power (W)	LEDs (quantity)	Max Lumens (lm)	Control Systems	Beam	CCT	Finish
<b>EIR6N</b> Super Comfort	<b>F</b> Frame	<b>09</b> 9(Max)	6	459	<b>ML</b> DMX512 Dimming 220V AC Power Supply	<b>S</b> 7° <b>1</b> 13° <b>2</b> 20° <b>3</b> 30°	<b>27</b> 2700K <b>30</b> 3000K <b>40</b> 4000K	<b>SS</b> Stainless Steel

Example : EIR6NF-09ML-S27SS

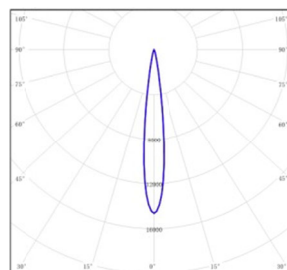
## Accessories

Item	Description	Pic	Description Dimensions
EIR5NF-RC001	Recessed Casing		

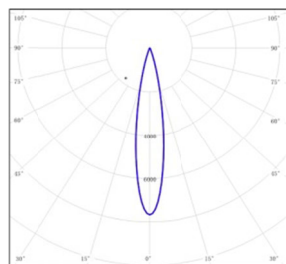
## LIGHT DISTRIBUTION@3000K LUMINAIRE DATA



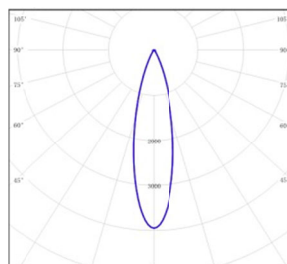
<b>MODEL:</b>	EIR6NF-13EL-S30SS
<b>BEAM ANGLE:</b>	7°
<b>POWER:</b>	15.36W
<b>LUMENS:</b>	663 lm
<b>CBCP:</b>	/
<b>EFFICACY:</b>	43.2 lm /W



<b>MODEL:</b>	EIR6NF-13EL-130SS
<b>BEAM ANGLE:</b>	13.3°
<b>POWER:</b>	15.31W
<b>LUMENS:</b>	520 lm
<b>CBCP:</b>	/
<b>EFFICACY:</b>	34 lm /W



<b>MODEL:</b>	EIR6NF-13EL-230SS
<b>BEAM ANGLE:</b>	19.7°
<b>POWER:</b>	15.39W
<b>LUMENS:</b>	520 lm
<b>CBCP:</b>	/
<b>EFFICACY:</b>	33.8 lm /W



<b>MODEL:</b>	EIR6NF-13EL-330SS
<b>BEAM ANGLE:</b>	29.8°
<b>POWER:</b>	15.32 W
<b>LUMENS:</b>	497 lm
<b>CBCP:</b>	/
<b>EFFICACY:</b>	32.5 lm /W

WAC Lighting  
www.waclighting.com (US)  
www.waclighting.com.cn (China)

Headquarters  
44 Harbor Park Drive • Port Washington, NY  
Phone (516) 515.5000 • Fax (516) 515.5050

WAC Lighting(Shanghai)  
14,Lane 299, Bi Sheng Road, Shanghai 201204,China  
Phone (86.21) 3393.3558 • Fax (86.21) 3362.1598