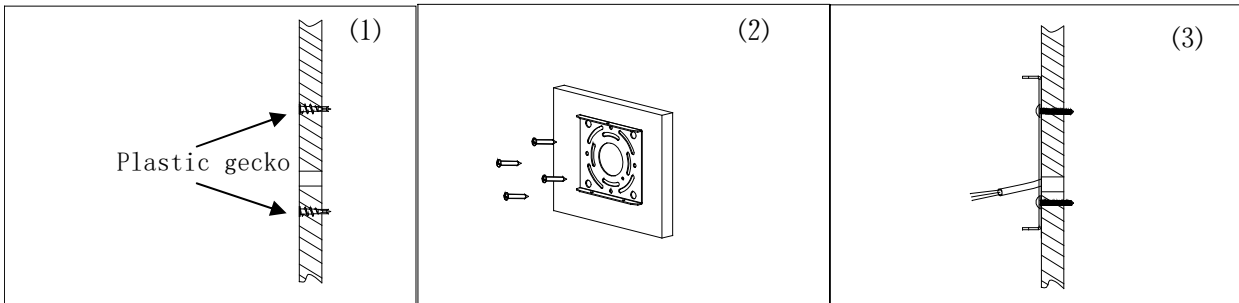


Installation Declaration:

1. Please read the instructions carefully before installation;
2. Install by a professional electrician.
3. To avoid the risk of electric shock, please confirm that the power supply is turned off before installation and maintenance.
4. The installation of lamps must comply with local laws and regulations.
5. Keep the instructions for your reference.

Lighting installation:

1. Install the plastic gecko according to the holes on the mounting plate, and reserve or process the wire holes (plastic gecko in the parts package), as shown in Figure 1.
2. Take the fixing plate of the lamp mounting base and fix it on the plastic gecko with 4 self-tapping screws (in the parts package), as shown in Figure 2 and 3.



3. Connect the mains power supply input line with the lamp power cord, dimmer and light dimmer with the illustrated waterproof junction box (the illustrated waterproof junction box is not attached, only dimming Model with adjustable light), as shown in Figure 4. Note: The yellow and green lines are ground lines (\oplus), the live lines are labeled with "L", the neutral lines are labeled with "N", and the dimming lights are labeled with "+" and "-" respectively (dimming models only).
4. Install the lamp: Install the lamp mounting base on the fixing plate installed in step 2, align the three screw holes of the mounting base with the screw holes of the fixing plate, put the waterproof rubber ring, tighten the hex screw, and insert the silicone plug (the silicone plug is in the parts bag, and the hex wrench is not included), as shown in Figure 5 and 6. (Note: If no waterproof junction box is used, please apply waterproof glue between the mounting base and the mounting surface after the installation of the lamp;)

