

Installation Precautions:

1. Please read the instruction manual carefully before installation;
2. Please have a professional electrician install it.
3. To avoid the risk of electric shock, please confirm to turn off the power before installing, maintaining, or replacing the lighting fixtures.
4. The installation of lighting fixtures must comply with the corresponding local laws and regulations.
5. Suitable for indoor and outdoor installation and use.
6. Keep the instruction manual for reference only.

Light Installation and Wiring:

1. Use appropriate screws to install and fix the lamp through the installation holes shown in the diagram (installation screws are not included)(Fig.1)
2. The lamp can be rotated horizontally by 330 degrees using an Allen wrench, and vertically by 30 degrees in the front and 90 degrees in the back to adjust the direction (the Allen wrench is not included)(Fig.2)

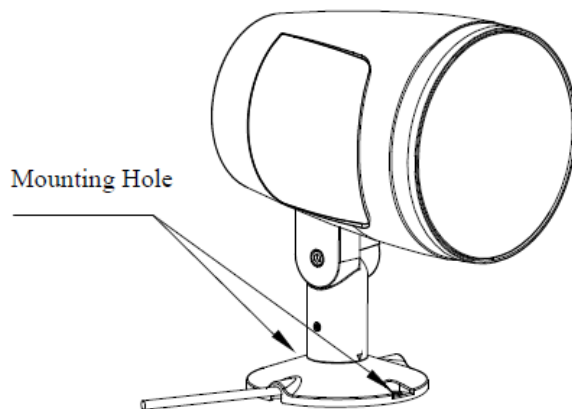


Fig.1

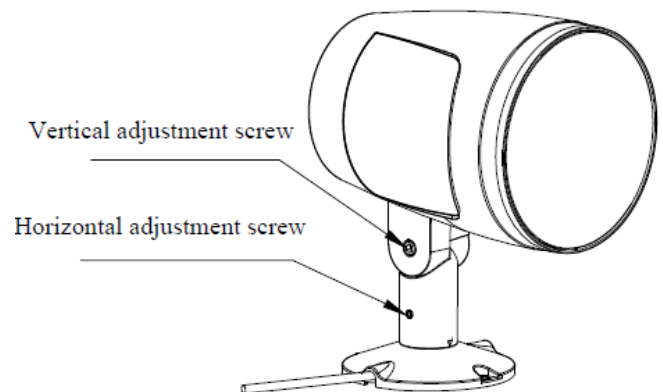


Fig.2

3. Connect each core wire of the lamp to the power supply separately Matched and connected to (220V/AC) (Fig.3)

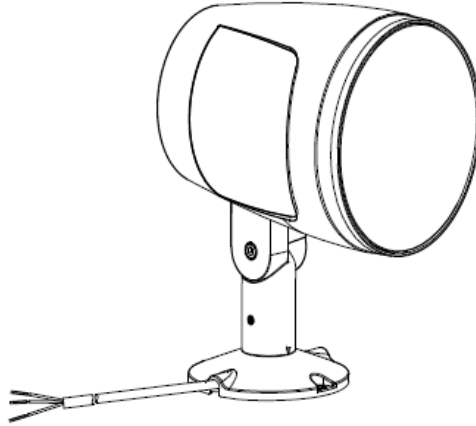


Fig.3

Notes:

1. Cable not included, waterproof 3-core cable with a diameter of ϕ 5- ϕ 9mm (markings on the connector: live wire L, neutral wire N, ground wire);
2. If damage is found to the glass protective cover during installation, it must be replaced.
3. When the glass protective cover is damaged and replaced, customers can only use the glass protective cover provided by our company.