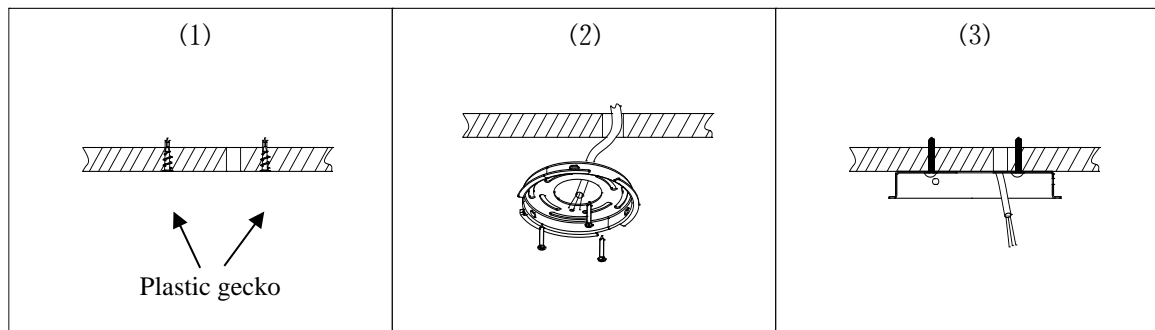


## Installation Precautions:

1. Please read through the Instructions before installation.
2. The product should be installed by a professional electrician.
3. Make sure the power supply is cut off before installation and maintenance, to avoid the risk of electric shock.
4. Install lamps in accordance with local laws and regulations.
5. Please keep this Instruction properly for future reference.

## Circular lamp Installation:

1. Install plastic geckos on the ceiling, and reserve or process wire holes (plastic geckos in parts packages), as shown in Figure 1.
2. Take out the lamp from the packaging box, remove the round back cover of the lamp, and fix the round back cover on the ceiling with three self-tapping screws (parts pack). When fixing, pay attention to the power cable through the outlet hole of the round back cover, as shown in Figure 2 and 3.



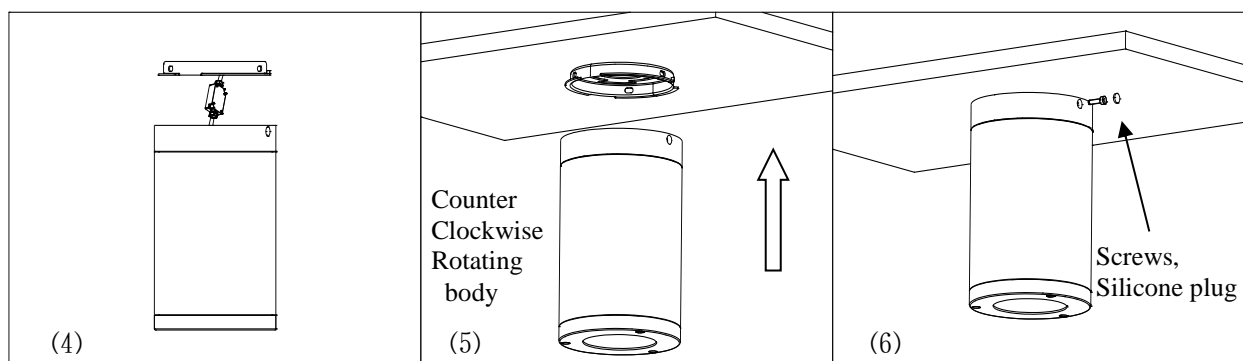
3. Connect the mains power supply input line and the lamp power line with the illustrated waterproof junction box (the illustrated waterproof junction box is not attached), as shown in Figure 4.

Note: The yellow and green lines are ground lines ( $\oplus$ ), the live line has an "L" identifier, the neutral line has an "N" identifier, the positive light modulation pole has a "+" identifier, and the negative light modulation pole has a "-" identifier.

4. Install the luminaire: align the three convex tables of the luminaire with the three notches of the round back cover, put the luminaire up to the highest position, and then rotate the luminaire by hand to align the screw holes on the top of the luminaire with the holes of the round back cover, screw in the screw, and insert the silicone plug (silicone plug in the parts bag), as shown in Figure 5 and 6.

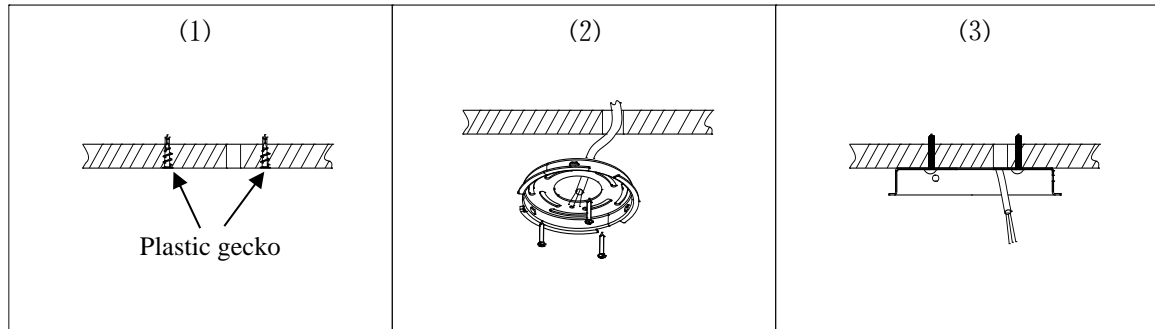
(Note 1: In order to ensure that the lamp is installed properly, the lamp can be turned clockwise after installation, if the lamp cannot be turned back, it means that the installation is completed;

Note 2: If no waterproof junction box is used, apply waterproof glue between the lamp and the ceiling after installation.)

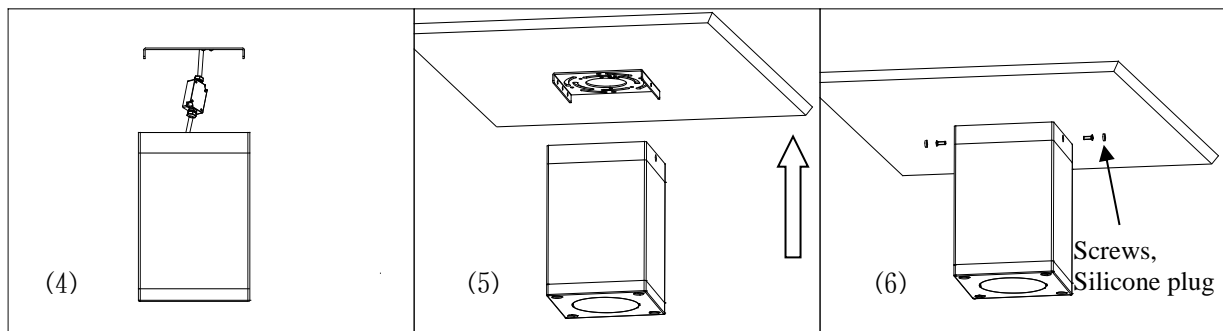


## Square lamp Installation:

1. Install plastic geckos on the ceiling, and reserve or process wire holes (plastic geckos in parts packages), as shown in Figure 1.
2. Take out the lamp from the packaging box, remove the square back cover of the lamp, and fix the square back cover on the ceiling with three self-tapping screws (parts pack). When fixing, pay attention to the power cable through the outlet hole of the square back cover, as shown in Figure 2 and 3.



3. Connect the mains power supply input line and the lamp power line with the illustrated waterproof junction box (the illustrated waterproof junction box is not attached), as shown in Figure 4.  
Note: The yellow and green lines are square lines ( $\oplus$ ), the live line has an "L" identifier, the neutral line has an "N" identifier, the positive light modulation pole has a "+" identifier, and the negative light modulation pole has a "-" identifier.
4. Install the luminaire: align the three convex tables of the luminaire with the three notches of the square back cover, put the luminaire up to the highest position, and then rotate the luminaire by hand to align the screw holes on the top of the luminaire with the holes of the square back cover, screw in the screw, and insert the silicone plug (silicone plug in the parts bag), as shown in Figure 5 and 6.  
(Note 1: In order to ensure that the lamp is installed properly, the lamp can be turned clockwise after installation, if the lamp cannot be turned back, it means that the installation is completed;  
Note 2: If no waterproof junction box is used, apply waterproof glue between the lamp and the ceiling after installation.)

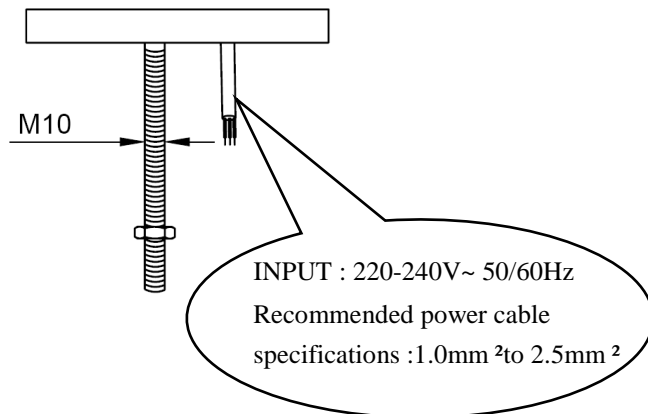


## Installation Precautions:

1. Please read through the Instructions before installation.
2. The product should be installed by a professional electrician.
3. Make sure the power supply is cut off before installation and maintenance, to avoid the risk of electric shock.
4. Install lamps in accordance with local laws and regulations.
5. Please keep this Instruction properly for future reference.

## Lamp Installation:

1. Select the M10 derrick of appropriate length and install it on the ceiling according to the actual situation on site, as shown in the following figure (M10 derrick and nut are not attached).



2. Install the lamp body into the derrick and lock the lamp with nuts; Connect the lighting cable to the ceiling power input cable with a waterproof junction box.

As shown below (waterproof junction box is not included).

Note: The yellow and green lines are ground lines (⊕), the live line is labeled with "L", and the neutral line is labeled with "N".

The dimming light is labeled with "+" and "-" respectively (dimming model only).

