

### Model:

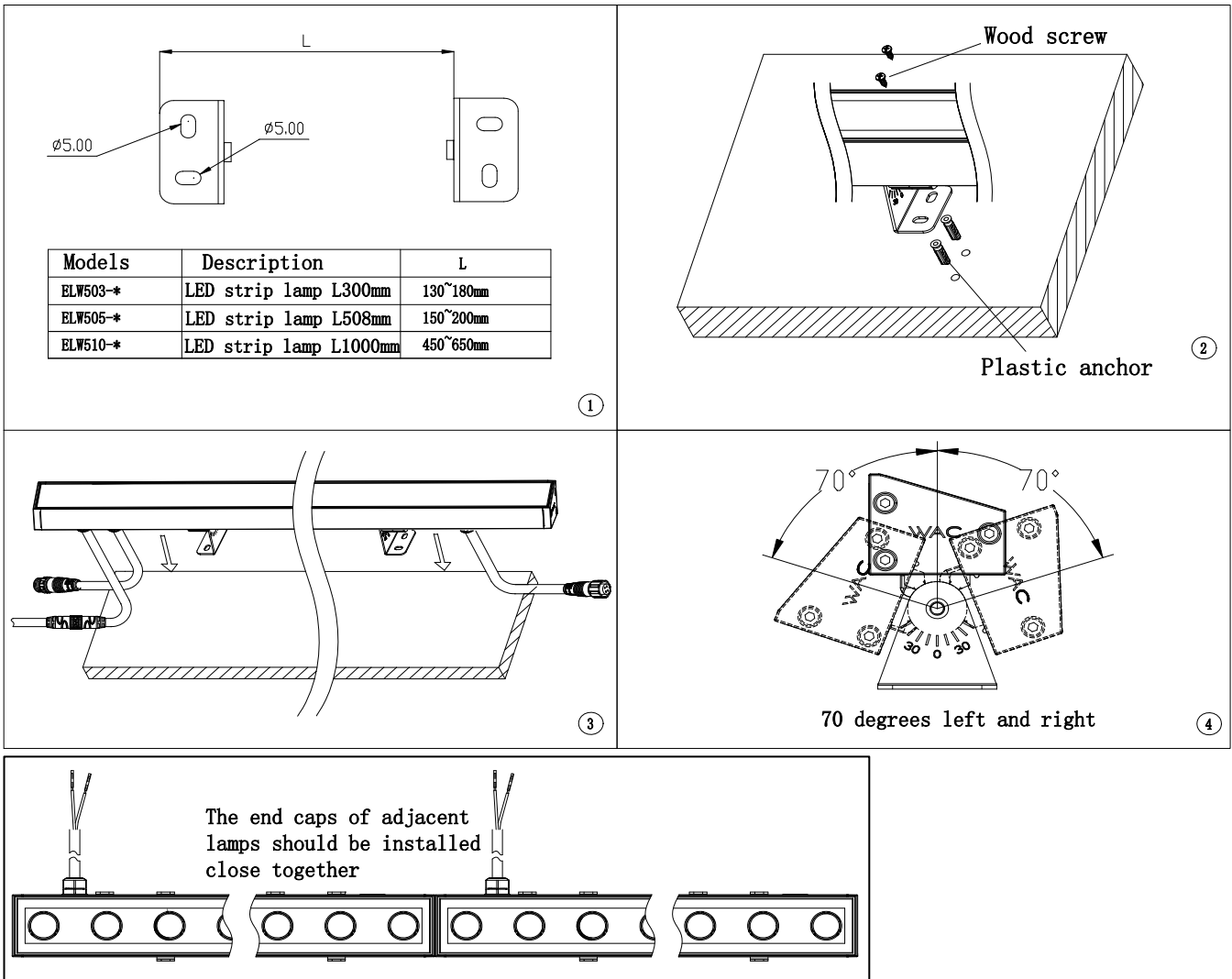
The installation instructions are applicable to LED outdoor hard strip lamp:  
ELW503-14ET/MT Series、ELW505-28ET/MT Series、ELW510-56ET/MT Series.

### Points to note:

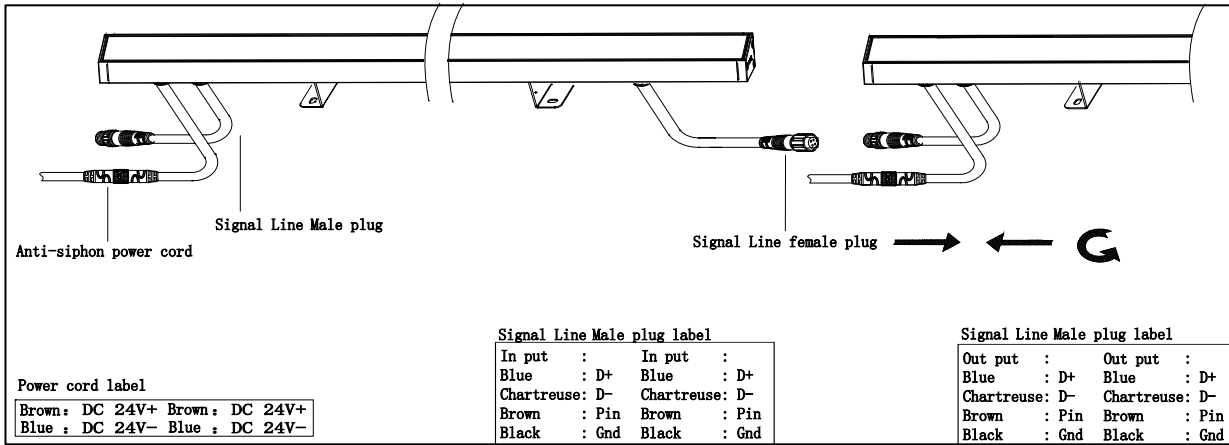
1. Please read the instructions carefully before installation;
2. Please have a professional electrician install it;
3. To avoid the risk of electric shock, please make sure to turn off the power supply before installation and maintenance;
4. Please make sure the mounting surface is firm and reliable before installing the luminaire to avoid the luminaire falling;
5. Keep the instruction manual for reference.

### Installation methods and procedures:

1. The installation mode of this line lamp is only suitable for vertical installation, the lamp is fixed through the stainless steel bracket and the mounting surface; Fixed hole spacing of the frame reference figure 1(Wood screw and Plastic anchor Bring your own)
2. The power cord drawn from the lamp: Brown Line represents the positive pole, blue line represents the negative pole, the power cord is connected with the power supply through the junction box, the positive and negative poles of the power cord are connected with the positive and negative poles of the power supply output, non-retractable, reference to the label on the lamp wiring, the installation of lamps, two adjacent lamps need to be installed close to the end cover.

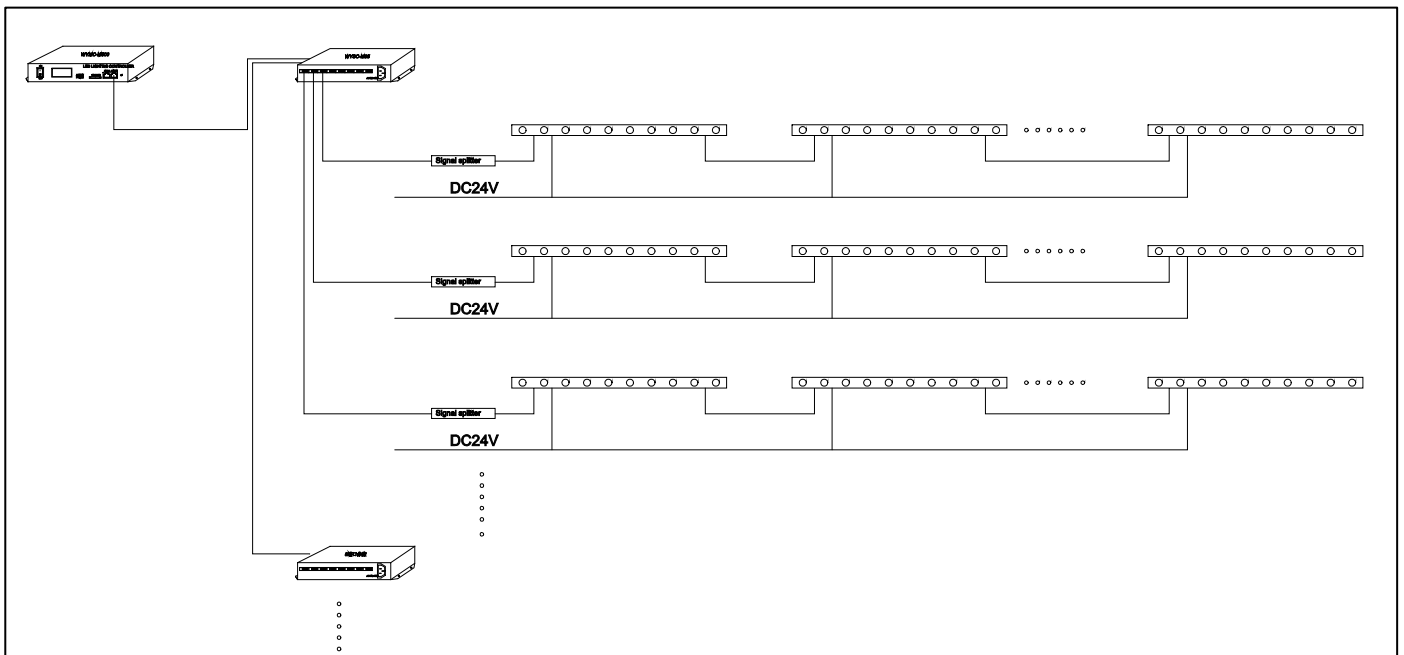


3. Lamp wiring; ON-OFF version only has a DC24V power input line, DMX512 dimming version has a DC24V power input line, A signal into the line, a signal out of the line (wiring reference on the power line label)



Note: IP65 and above grade waterproof junction box should be used for wiring connection, the waterproof junction box should match the lead wire of lamps Waterproof treatment of wiring.

4. Constant voltage 24V/DC DMX512 dimming lamps wiring:



Note: IP65 and above grade waterproof junction box shall be used for wiring connection, and the Waterproof Junction Box shall match the luminaire lead wire. It is recommended that the number of luminaires to be connected to each power circuit shall not exceed 25, each DMX signal amplifier carries no more than 170 lamps; the wiring is waterproof.